

Project: _____

Fixture Type: _____

Location: _____

Contact/Phone: _____

Cat. No.: _____

PRODUCT DESCRIPTION

The MSL Series LED Security Light is a small and unobtrusive fixture designed to replace small incandescent and CFL fixtures. With a shallow profile, the fixture blends in seamlessly with both architecture and nature. The wide light pattern makes this fixture a great choice for commercial and residential applications where an economical LED security light is needed. The MSL Security Light is recommended for mounting heights of up to 8 feet, for installations above doors, balconies, garage and warehouse entrances, and other applications traditionally lighted with incandescent and CFL fixtures. The MSL Series is rated for outdoor or indoor use.

PRODUCT SPECIFICATIONS

Optics The MSL Series has a white reflector and micro-prism lens that significantly reduces glare, increases visual comfort and acts as an environmental seal, protecting the LED from rain, snow and dust.

Dark Sky Compliance The MSL Series is compliant with Dark Sky ordinances.

Construction A die cast aluminum housing is sturdy and attractive. Powder coating seals and protects the fixture from the elements • The micro-prism lens is made of acrylic that has a strong resistance to UV rays – ideal for outdoor environments.

Thermal Management The LED light source is secured to the aluminum housing that acts as a heat sink • The driver is also mounted directly to the housing to help keep the electronics cool and ensure 50,000 hour L70 performance.

Electrical The LED driver is suitable for 120VAC 50/60 Hz
• An optional photo sensor is available.

Photo Sensors The MSL Series can be ordered with an optional photo sensor for automatic dusk to dawn operation
• Option "PC" is a factory installed button style, photo sensor mounted on the front of the fixture.

Mounting Mounts directly to a junction box • The back plate includes knockouts to fit most junction boxes • The installation process takes less than 5 minutes, with a single screw securing the housing to the back plate • Alternatively, the MSL Series has a provision for rear entry of 1/2" conduit.

Finish Polyester powder coating protects the housing
• Available in bronze or white finishes.

Certifications Meets UL1598 and CSA C22.2-250 standards
• Suitable for wet locations • Dark Sky compliant.

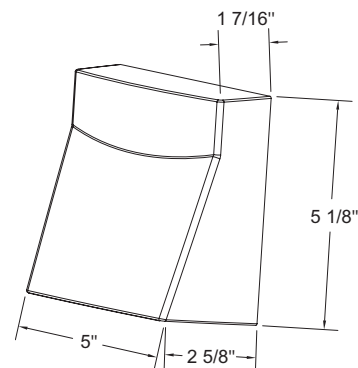
PRODUCT CODES

Catalog Number	Description	Input Volts	CCT	Delivered Lumens	Input Watts
MSL135K12BZPC	LED Mini Security Light with photo sensor, bronze	120V	3500K	266	6
MSL135K12WHPC	LED Mini Security Light with photo sensor, white	120V	3500K	266	6
MSL135K12BZ	LED Mini Security Light, bronze	120V	3500K	266	6
MSL135K12WH	LED Mini Security Light, white	120V	3500K	266	6

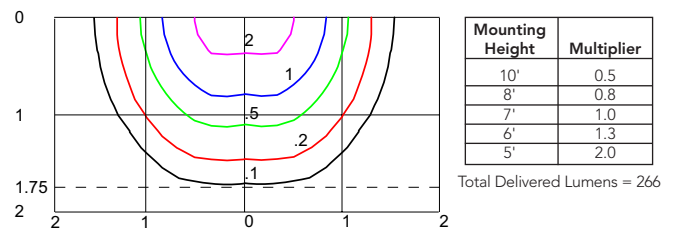


Shown with optional sensor

DIMENSIONS



PHOTOMETRY



Distance shown as multiples of mounting height.
Illumination values shown in footcandles at 7' mounting height.