

AccuLite™

MSL SERIES

LED MINI SECURITY LIGHT 650 LUMENS

Project: _____

Fixture Type: _____

Location: _____

Contact/Phone: _____

Cat. No.: _____

PRODUCT DESCRIPTION

The MSL Series LED Security Light is a small and unobtrusive luminaire designed to replace small incandescent and CFL fixtures. With a shallow profile, the MSL blends in seamlessly with both architecture and nature. The wide light pattern makes this fixture a great choice for commercial applications where an economical LED security light is needed. The MSL Security Light is recommended for mounting heights of up to 10 feet, for installations above doors, balconies, garage and warehouse entrances, and other applications traditionally lighted with incandescent and CFL fixtures. The MSL Series is rated for outdoor or indoor use.

PRODUCT SPECIFICATIONS

Optics The MSL Series has a white reflector and micro-prism lens that significantly reduces glare, increases visual comfort and acts as an environmental seal, protecting the LED from rain, snow and dust.

Dark Sky Compliance The MSL Series is compliant with most Dark Sky ordinances.

Construction A die cast aluminum housing is sturdy and attractive. Powder coating seals and protects the fixture from the elements • The micro-prism lens is made of acrylic that has a strong resistance to UV rays – ideal for outdoor environments.

Thermal Management The LED light source is secured to the aluminum housing that acts as a heat sink • The driver is also mounted directly to the housing to help keep the electronics cool and ensure 100,000 hour L70 performance.

Electrical The LED driver is suitable for 120-277VAC 50/60 Hz • An optional daylight sensor is available.

Daylight Sensors The MSL Series can be ordered with an optional daylight sensor for automatic dusk to dawn operation • Option "PC" is a factory installed, button style photo sensor mounted on the front of the fixture. Fixtures with motion sensor option are automatically supplied with a photo sensor to prevent operation of the fixtures during daylight hours. Fixtures with emergency battery are not available in combination with a daylight sensor.

Motion Sensor: An optional motion sensor is also available to control operation of the fixture based on occupancy • All fixtures with the motion sensor option include a daylight sensor to prevent the fixture from operating during daytime hours • The sensor turns the fixture ON when it detects motion, and off after a user-established time • The time the fixture stays ON can be set from a few seconds to a total of 20 minutes.

Emergency Battery: When emergency lighting is required, the MSL fixtures can be ordered with an optional, integral emergency battery • The battery will operate the fixture for 90 minutes during a power outage • Fixtures with this option need an un-switched power source to make sure the battery stays charged • A second switched source can be used for the main power to the fixture • The battery option will operate in ambient temperatures of between -4°F and 122°F (-20°C and 50°C) • Not available in combination with photo sensor option.



Shown with daylight sensor



Standard

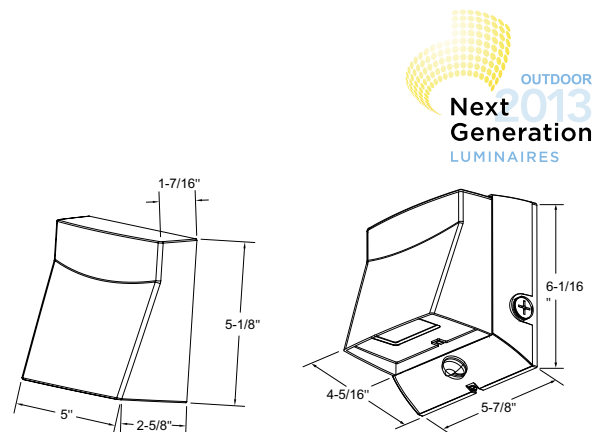


Shown with motion sensor



Shown with emergency battery

DIMENSIONS



Mounting Mounts directly to a junction box • The back plate includes knockouts to fit most junction boxes • The installation process takes less than 5 minutes, with a single screw securing the housing to the back plate • Alternatively, the MSL Series has a provision for rear entry of 1/2" conduit • Fixtures with optional motion sensor or battery backup also include two threaded and plugged holes for side entry with 1/2" conduit.

Finish Polyester powder coating protects the housing • Available in bronze or white finishes.

Project: _____

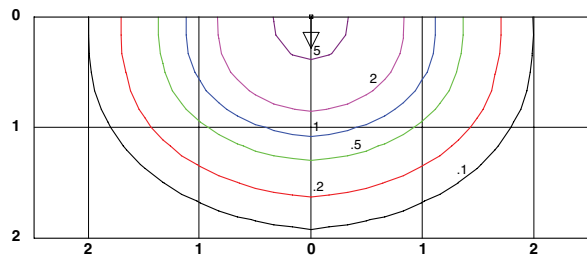
Fixture Type: _____

Location: _____

Contact/Phone: _____

Cat. No.: _____

PHOTOMETRY



Mounting Height	Multiplier
10'	0.5
8'	0.8
7'	1.0
6'	1.3
5'	2.0

Total Delivered Lumens = 663

Distance shown as multiples of mounting height. Illumination values shown in footcandles at 7' mounting height. Illumination values shown are for fixtures running on normal power. For fixtures running on emergency battery apply a 0.5 multiplier.

Certifications Meets UL1598 and CSA C22.2-250 standards • Suitable for wet locations • Compliant with most Dark Sky ordinances • ADA compliant (except when ordered with motion sensor or battery backup)

PRODUCT CODES

Catalog Number	Description	Input Volts	CCT	Delivered Lumens	Input Watts
MSL235KUNBZ	Mini Security Light, bronze	50/60 Hz	3500K	663	11W
MSL235KUNBZPC	Mini Security Light, bronze, with photo sensor	60 Hz	3500K	663	11W
MSL235KUNWH	Mini Security Light, white	50/60 Hz	3500K	663	11W
MSL235KUNWHPC	Mini Security Light, white, with photo sensor	60 Hz	3500K	663	11W
MSL235KUNBZMS	Mini Security Light, bronze with motion sensor	50/60 Hz	3500K	663	12W
MSL235KUNWHMS	Mini Security Light, white with motion sensor	50/60 Hz	3500K	663	12W
MSL235KUNBZEM	Mini Security Light, bronze with emergency battery	50/60 Hz	3500K	663	13W
MSL235KUNWHEM	Mini Security Light, white with emergency battery	50/60 Hz	3500K	663	13W

Delivered lumens shown are for fixtures running on normal power. Fixtures running on emergency battery deliver approximately 325 lumens.