



Description

Non-IC rated low voltage housing • Designed to be installed in non-insulated areas, or where insulation is spaced at least 3" from housing

Listings

UL Listed, C-UL/CSA certified for through-branch wiring and damp locations • Conforms with City of Chicago IP requirements

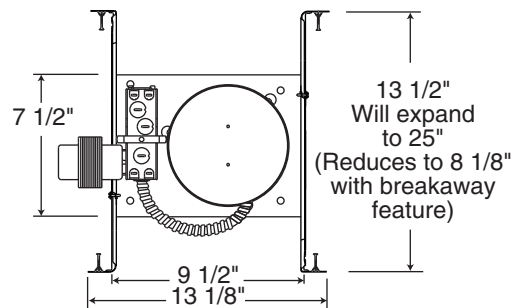
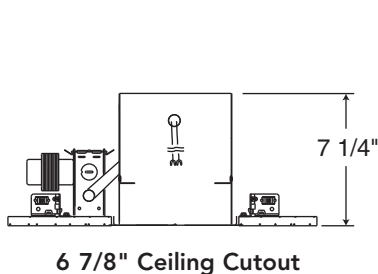
Features

- 6" Housing
- Leads supplied with spade connectors for screw terminal PAR36 lamps
- Housing is vertically adjustable to accommodate up to a 2" ceiling thickness
- Steel housing is fully assembled for ease of installation
- 120V to 12V 50VA thermally protected magnetic transformer
- May be dimmed using dimmers specifically designed for magnetic transformers
- Real Nail® 3 bar hangers: telescoping system with pre-installed removable nail for easy repositioning of housing in joist construction • Integral T-bar mounting feature for secure installation in suspended ceilings
- Pre-wired junction box with (5) 1/2" and (1) 3/4" knockouts with pryout slots, (4) non-metallic sheathed cable connectors, and ground wire
- UL Listed, C-UL/CSA certified for through-branch wiring, maximum 8 #12 AWG minimum 90° C branch circuit conductors (4 in, 4 out)
- Thermally protected against improper use of lamp or insulation
- Shadow-free, knife-edge trim design blends smoothly into the ceiling and allows architectural continuity with Aculux® trims
- One 50W PAR36 lamp used in trim selection below

Ordering Information

Catalog Number: **TC46**

Dimensions



Adjustables

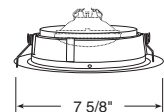


Baffle-Downlight/Adjustable

Catalog #
464W-WH
464B-WH

Description
White Baffle, White Trim
Black Baffle, White Trim

Max. Lamp Rating
50W PAR36
Aperture
5 3/4"
Adjustment
35° vertical



Cone-Downlight/Adjustable

Catalog #
467C-WH*

Description
Clear Alzak®, White Trim

*Compatible with TR6, 6" trim ring

Max. Lamp Rating
50W PAR36
Aperture
5 3/4"
Adjustment
35° vertical

