

# 5" IC NEW CONSTRUCTION HOUSING

## IC20-LEDT24

COMPATIBLE WITH  
5RLD SERIES

Project: \_\_\_\_\_

Fixture Type: \_\_\_\_\_

Location: \_\_\_\_\_

Contact/Phone: \_\_\_\_\_



### PRODUCT DESCRIPTION

IC Air-Loc® New Construction Housing for use with Juno retrofit LED trim modules • Energy efficient, sealed housing • Can be completely covered with insulation • Fully sealed housing stops exfiltration of air, reducing heating and air cooling costs without the use of additional gaskets.

### PRODUCT SPECIFICATIONS

**Electrical Connections** Features non-screw base 120V plug-in connector • Compatible with Juno retrofit LED trim modules • Meets high efficacy requirements of California T24

**Labels** U.L. listed for U.S. and Canada for through-branch wiring and damp locations

**Testing** All reports are based on published industry procedures; field performance may differ from laboratory performance.

Product specifications subject to change without notice.

### INSTALLATION

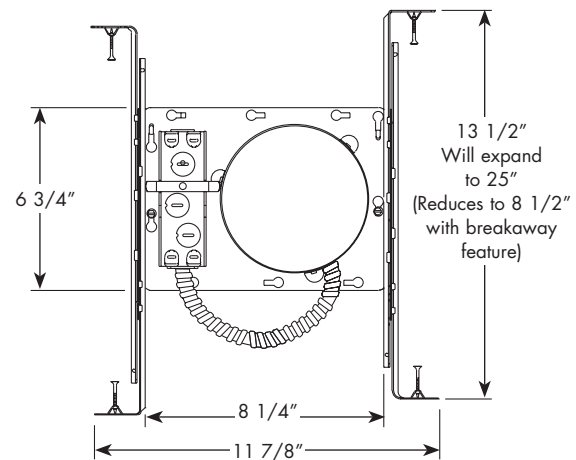
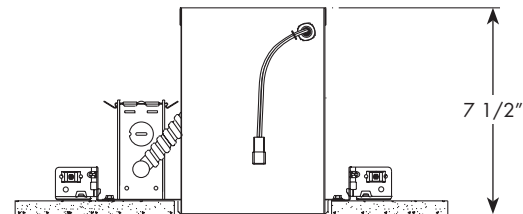
**Real Nail 3 Bar Hangers** Telescoping Real Nail® 3 system covered under Patents US5,505,419 and D552,969 permits quick placement of housing anywhere within 24" O.C. joists or suspended ceilings • Integral T-bar notch and clip secures housing in suspended ceiling grid – no accessory clips required • 24" expansion stop allows quick placement of fixture in standard grid spacing • Bars scored in two locations for fast, clean breaking, allowing housing installation in tight applications • Bars captive to mounting frame • Edge-mounted for extra strength • Captive bugle-headed ring shank nail for quick one-step installation and easy removal with claw hammer for fixture relocation • Quick-Loc slot (location identified on the mounting frame) and oversized locking set screw lock fixture in position • Bar hanger foot contoured to align to bottom of construction joist • Alternate mounting holes included.

**Junction Box** Pre-wired junction box provided with (5) 1/2" and (1) 3/4" knockouts, (4) Non-metallic sheathed cable connectors and ground wire, U.L. listed/CSA certified for through-branch wiring, maximum 8 No. 12 AWG 90° C branch circuit conductors (4 in, 4 out) • Junction box provided with removable access plates • Knockouts equipped with pryout slots.

**Mounting Frame** 22-gauge die-formed galvanized steel mounting frame • Rough-in section (junction box, mounting frame, housing and bar hangers) fully assembled for ease of installation • Sight lines embossed on mounting frame to allow for easy viewing when aligning fixtures.

**Housing** IC housing, .032" aluminum sealed for Air-Loc Compliance • Housing is vertically adjustable to accommodate up to a 1" ceiling thickness.

### DIMENSIONS



5 5/8" CEILING CUTOUT

### PRODUCT CODES

Catalog Number	Input Voltage
IC20-LEDT24	120V

### COMPATIBLE LED MODULES

(To order, specify catalog number)

Catalog Number	Description
5RLD-927-6-WWH	Juno Basics LED Retrofit Trim, 600 lumen, 2700K, White Baffle
5RLD-930-6-WWH	Juno Basics LED Retrofit Trim, 600 lumen, 3000K, White Baffle