



8" A-LAMP WALL WASH

OPEN APERTURE

150W A21 or 200W A23

TC908-682C, -682HZ

Project: _____

Fixture Type: _____

Location: _____

Contact/Phone: _____

PRODUCT SPECIFICATIONS

Lamp One 150W A21 lamp or 200W A23 lamp.

Socket Housing Medium base porcelain with nickel-plated copper screw shell • Extruded aluminum socket housing with heat dissipating fins • Adjustable for proper positioning of A21 or A23 lamps.

Reflector .050" aluminum ellipsoidal reflector with clear or haze Alzak® finish. • 115° cut-out and diffuse wall wash kicker reflector.

Trim Ring White baked enamel on aluminum • Integral with reflector.

Labels U.L. listed for through-branch wiring, damp locations, and IP • Product thermally protected against improper use of lamps or insulation • Union made • CSA certified.

Testing All reports are based on published industry procedures; field performance may differ from laboratory performance.

Product specifications subject to change without notice.

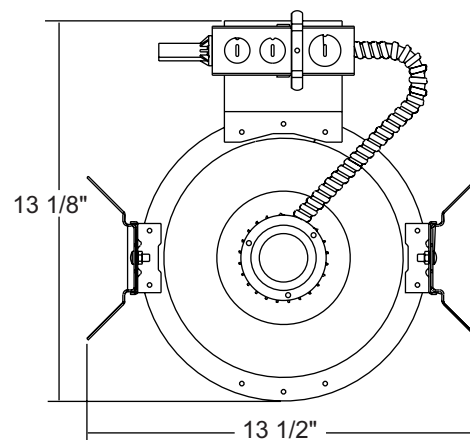
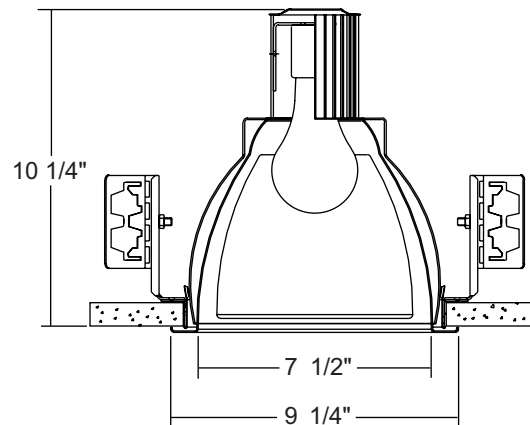
INSTALLATION

Mounting Bracket Rough-in section equipped with vertically adjustable mounting brackets that accept 1/2" conduit or "C" channels (HB-26 or HB-50), linear flat bars (LB-27) or Real Nail® 3 bar hangers (HB-1).

Junction Box Pre-wired junction box, U.L. listed/CSA certified for through-branch wiring, maximum 8 no. 12 AWG 90°C branch circuit conductors (4 in, 4 out) • Junction box provided with removable access plates, (4) 1/2" and (1) 3/4" knockouts and ground wire • Knockouts equipped with pryout slots.

Mounting Frame 16-gauge galvanized steel mounting ring • Rough-in section (junction box, mounting frame and socket housing) fully assembled for ease of installation.

DIMENSIONS



8 1/2" CEILING CUTOUT

PRODUCT CODES

Catalog Number	Cut-Out	Reflector Finish	Wattage and Lamp
TC908-682C-WH	Single	Clear Alzak	150W A21/200W A23
TC908-682HZ-WH	Single	Haze	150W A21/200W A23

ACCESSORIES

Catalog No.	Description
HB-26	Two 26" C-channel bar hangers
HB-50	Two 50" C-channel bar hangers
HB-1	Two 13 1/2" - 25" adjustable Real Nail® 3 bar hangers
LB-27	Two 27" linear bar hangers

To order, specify catalog number.

Test Report #: FB95117
Catalog No: TC908-682C-WH
Luminaire: Recessed Single Cut-Out Wall Wash
Lamp: One 200W A23 lamp rated @ 4010 lumens

8" A-LAMP WALL WASH

OPEN APERTURE
 150W A21 or 200W A23
TC908-682C, -682HZ

FOOTCANDLES ON WALL FROM MULTIPLE UNITS (Single and Double Wall Wash) - **TC908-682C, TC908-683C**

Fixture Distance to Wall	2'						3'						4'														
	2'	2'	2'	4'	4'	5'	3'	3'	3'	4'	4'	5'	4'	4'	4'	5'	5'	6'									
1'	28	23	28	27	7	27	26	4	26	6	6	6	6	3	6	6	3	6	4	4	4	3	3	3	3	3	3
2'	74	62	74	66	29	66	65	11	65	20	17	20	18	10	18	18	6	18	9	8	9	8	6	8	8	4	8
3'	96	88	96	71	56	71	65	33	65	34	30	34	31	19	31	30	12	30	14	13	14	13	9	13	12	6	12
4'	83	78	83	58	52	58	46	39	46	46	41	46	37	30	37	33	21	33	21	18	21	18	14	18	18	10	18
5'	65	63	65	46	42	46	35	32	35	45	43	45	36	33	36	30	26	30	27	24	27	23	19	23	21	15	21
6'	51	51	51	36	34	36	28	25	28	42	39	42	32	30	32	26	24	26	28	26	28	24	21	24	20	17	20
7'	42	42	42	30	28	30	23	21	23	36	35	36	28	26	28	23	21	23	28	26	28	23	21	23	19	18	19
8'	36	35	36	25	24	25	20	18	20	31	31	31	25	23	25	20	19	20	26	24	26	21	20	21	18	17	18
9'	32	32	32	23	22	23	17	17	17	28	28	28	22	21	22	18	17	18	25	23	25	20	19	20	17	15	17
10'	26	26	26	19	18	19	14	14	14	23	24	23	18	18	18	15	14	15	21	20	21	17	16	17	14	13	14

Multiplier: 150W A21 - 0.71; Gold - 0.9

FOOTCANDLES ON WALL FROM SINGLE CORNER WALL WASH - TC908-684C

Fixture Distance to Wall	2'									3'									4'								
	1'	2'	3'	4'	5'	6'	7'	8'	9'	1'	2'	3'	4'	5'	6'	7'	8'	9'	1'	2'	3'	4'	5'	6'	7'	8'	9'
1'	7	24	13	3	2	1	1	1	1	1	3	5	3	2	1	1	1	1	1	1	2	2	2	1	1	1	1
2'	32	58	32	9	3	2	1	1	1	3	10	15	12	7	3	1	1	1	1	2	5	6	5	4	2	1	1
3'	46	59	41	17	5	2	1	1	1	10	20	26	20	11	5	2	1	1	2	4	8	10	9	6	4	2	1
4'	34	39	32	19	9	3	2	1	1	17	25	29	24	15	7	3	2	1	5	9	13	15	13	9	5	3	2
5'	22	25	22	16	10	5	3	1	1	18	22	24	21	15	9	5	3	2	8	12	15	17	15	11	7	4	2
6'	15	16	15	12	9	6	3	2	1	15	17	18	17	13	10	6	4	2	10	13	15	16	15	12	8	5	3
7'	11	12	11	9	7	5	4	2	2	12	13	14	13	11	9	6	4	3	10	12	13	13	13	11	8	6	4
8'	8	9	8	7	6	5	4	3	2	9	10	11	10	9	7	6	5	3	9	10	11	11	10	9	8	6	5
9'	6	7	6	6	5	4	4	3	2	7	8	8	8	7	6	5	4	3	8	8	9	9	9	8	7	6	5
10'	5	6	5	5	4	4	3	3	2	6	7	7	7	6	5	5	4	3	6	7	7	8	7	7	6	5	4

Multiplier: 150W A21 - 0.71; Gold - 0.9

