



# 8" A-LAMP DOWNLIGHT

OPEN APERTURE

150W A21 or 200W A23

**TC908-644C, -644HZ**

Project: \_\_\_\_\_

Fixture Type: \_\_\_\_\_

Location: \_\_\_\_\_

Contact/Phone: \_\_\_\_\_

## PRODUCT SPECIFICATIONS

**Lamp** One 150W A21 or 200W A23 lamp.

**Socket Housing** Medium base porcelain with nickel-plated copper screw shell • Extruded aluminum socket housing with heat dissipating fins • Adjustable for proper positioning of A21 or A23 lamps.

**Reflector** .050" aluminum ellipsoidal reflector with clear or haze Alzak® finish.

**Trim Ring** White baked enamel on aluminum • Integral with reflector.

**Labels** U.L. listed for through-branch wiring, damp locations, and IP • Product thermally protected against improper use of lamps or insulation • Union made • CSA certified.

**Testing** All reports are based on published industry procedures; field performance may differ from laboratory performance.

Product specifications subject to change without notice.

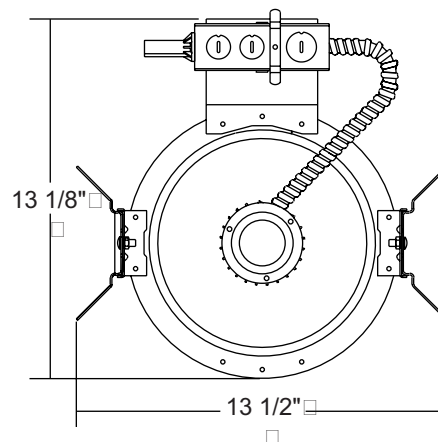
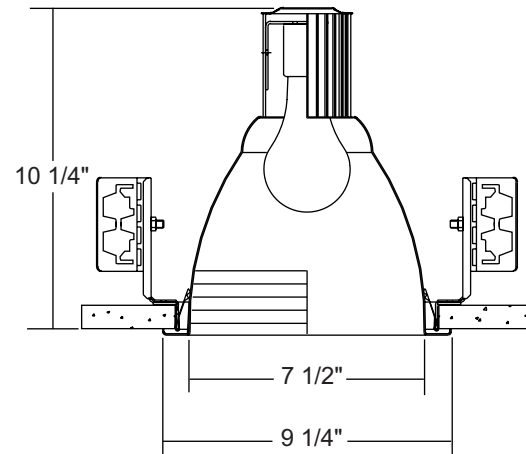
## INSTALLATION

**Mounting Bracket** Rough-in section equipped with vertically adjustable mounting brackets that accept ½" conduit or "C" channels (HB-26 or HB-50) or linear flat bars (LB-27).

**Junction Box** Pre-wired junction box, U.L. listed/CSA certified for through-branch wiring, maximum 8 No. 12 AWG 90° C branch circuit conductors (4 in, 4 out) • Junction box provided with removable access plates, (4) ½" and (1) ¾" knockouts and ground wire • Knockouts equipped with pryout slots.

**Mounting Frame** 16-gauge galvanized steel mounting ring • Rough-in section (junction box, mounting frame and socket housing) fully assembled for ease of installation.

## DIMENSIONS



8 1/2" CEILING CUTOUT

## PRODUCT CODES

Catalog Number	Reflector Finish	Wattage and Lamp
TC908-644C-WH	Clear Alzak	150W A21/200W A23
TC908-644HZ-WH	Haze	150W A21/200W A23

## ACCESSORIES

Catalog No.	Description
HB-26	Two 26" C-channel bar hangers
HB-50	Two 50" C-channel bar hangers
HB-1	Two 13½" - 25" adjustable Real Nail® 3 bar hangers
LB-27	Two 27" linear bar hangers

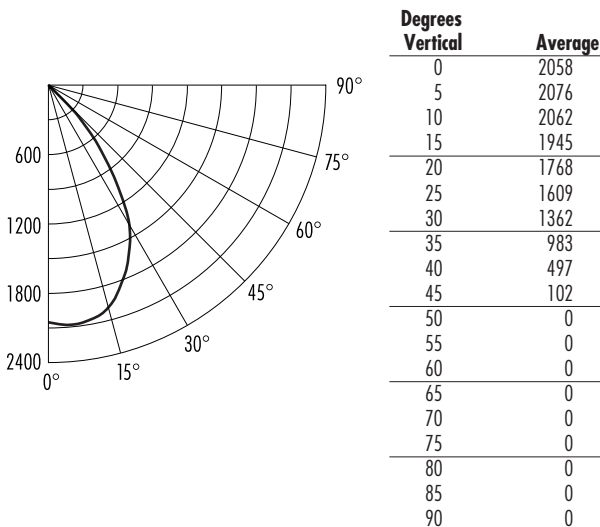
To order, specify catalog number.

**Test Report #:** FB96093  
**Catalog No:** TC908-644C-WH  
**Total Luminaire Efficiency:** 79.0%  
**Luminaire Spacing Criterion:** 1.0  
**Luminaire:** Recessed Clear Alzak Reflector Downlight  
**Lamp:** One 150W A21 IF lamp rated @ 2780 lumens

# 8" A-LAMP DOWNLIGHT

OPEN APERTURE  
 150W A21 or 200W A23  
**TC908-644C, -644G**

### CANDLEPOWER DISTRIBUTION (Candelas)



Multiplier: 200W A23 - 1.4; Gold - 0.9

### ZONAL LUMEN SUMMARY

Zone	Lumens	%Lamp	%Fixture
0-30°	1467	52.8	66.8
0-40°	2055	73.9	93.5
0-60°	2197	79.0	100.0
0-90°	2197	79.0	100.0
90-180°	0	—	—
0-180°	2197	79.0	100.0

### COEFFICIENTS OF UTILIZATION- % (Zonal Cavity Method) Effective Floor Cavity Reflectance 20% ( $\rho_{fc}$ )

RCR	$\rho_{cc}$ $\rho_w$	80			70			50			30			10			0
		50	30	10	50	30	10	50	30	10	50	30	10	50	30	10	0
0		94	94	94	92	92	92	88	88	88	84	84	84	81	81	81	79
1		88	86	84	86	84	83	83	81	80	80	79	78	77	76	75	74
2		81	78	76	80	77	75	78	75	73	75	73	72	73	71	70	69
3		76	72	69	75	71	68	73	70	67	71	68	66	69	67	65	64
4		71	66	63	70	66	63	68	65	62	67	64	61	65	63	60	59
5		66	61	58	65	61	58	64	60	57	63	59	57	61	59	56	55
6		62	57	54	61	57	53	60	56	53	59	55	53	58	55	52	51
7		58	53	50	57	53	50	56	52	49	56	52	49	55	51	49	48
8		54	50	46	54	49	46	53	49	46	52	49	46	52	48	46	45
9		51	47	43	51	46	43	50	46	43	49	46	43	49	45	43	42
10		48	44	41	48	44	40	47	43	40	47	43	40	46	43	40	39

$\rho_{cc}$  – Ceiling Cavity Reflectance (%)  $\rho_w$  – Wall Reflectance (%)

### INITIAL FOOTCANDLES

One Unit, 150W A21, 68.8° Beam

Footcandles Beam Edge	Footcandles Beam Center	Beam Diameter	Distance to Illuminated Work Plane (Feet)
16.1	57.2	8.2'	6
9.0	32.2	11.0'	8
5.8	20.6	13.7'	10
4.0	14.3	16.4'	12
2.9	10.5	19.2'	14
2.3	8.0	21.9'	16
1.8	6.4	24.6'	18

(Beam Edge defined as 50% of Maximum Nadir Candlepower)

### AVERAGE INITIAL FOOTCANDLES

Multiple Units (Square Array)

Ceiling 80% Wall 50% Floor 20%

Spacing	RCR1	RCR4	RCR8
5.0'	98	79	60
6.0'	68	55	42
7.0'	50	40	31
8.0'	38	31	23
9.0'	30	24	19
10.0'	24	20	15
12.0'	17	14	10

