

Juno®

8" A-LAMP DOWNLIGHT

BAFFLED APERTURE

150W A21 or 200W A23

TC908-654B

Project: _____

Fixture Type: _____

Location: _____

Contact/Phone: _____

PRODUCT SPECIFICATIONS

Lamp One 150W A21 or 200W A23 lamp.

Socket Housing Medium base porcelain with nickel-plated copper screw shell • Extruded aluminum housing with heat dissipating fins • Adjustable for proper positioning of A21 or A23 lamps.

Reflector .050" aluminum reflector with clear Alzak® finish.

Baffle Black phenolic grooved baffle.

Trim Ring White baked enamel on aluminum • Integral with reflector.

Labels U.L. listed for through-branch wiring, damp locations, and IP • Product thermally protected against improper use of lamps or insulation • Union made • CSA certified.

Testing All reports are based on published industry procedures; field performance may differ from laboratory performance.

Product specifications subject to change without notice.

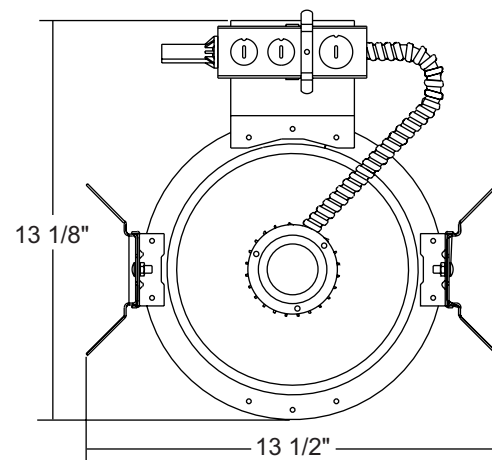
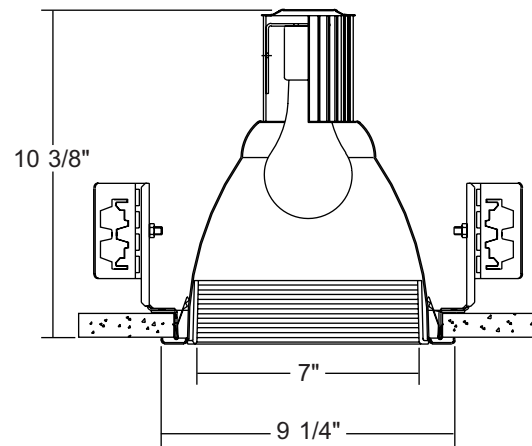
INSTALLATION

Mounting Bracket Rough-in section equipped with vertically adjustable mounting brackets that accept 1/2" conduit or "C" channels (HB-26 or HB-50), linear flat bars (LB-27) or Real Nail® 3 bar hangers (HB-1).

Junction Box Pre-wired junction box, U.L. listed/CSA certified for through-branch wiring, maximum 8 no. 12 AWG 90°C branch circuit conductors (4 in, 4 out) • Junction box provided with removable access plates, (4) 1/2" and (1) 3/4" knockouts and ground wire • Knockouts equipped with pryout slots.

Mounting Frame 16-gauge galvanized steel mounting ring • Rough-in section (junction box, mounting frame and socket housing) fully assembled for ease of installation.

DIMENSIONS



8 1/2" CEILING CUTOUT

PRODUCT CODES

Catalog Number	Trim	Wattage and Lamp
TC908-654B-WH	Black Baffle/Clear Alzak	150W A21/200W A23

ACCESSORIES

Catalog No.	Description
HB-26	Two 26" C-channel bar hangers
HB-50	Two 50" C-channel bar hangers
HB-1	Two 13 1/2" - 25" adjustable Real Nail® 3 bar hangers
LB-27	Two 27" linear bar hangers

To order, specify catalog number.

Test Report #: PT12990802
Catalog No: TC908-654B-WH
Total Luminaire Efficiency: 53.8%
Luminaire Spacing Criterion: 1.0
Luminaire: Recessed Baffled Aperture Downlight
Lamp: One 150W A21 IF lamp rated @ 2850 lumens

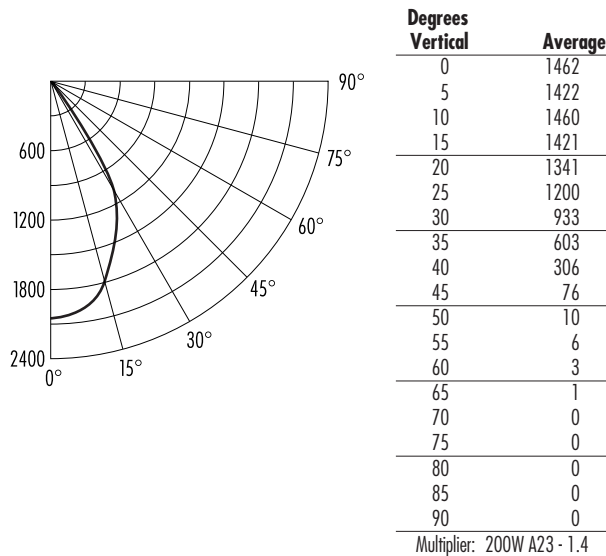
8" A-LAMP DOWNLIGHT

BAFFLED APERTURE

150W A21 or 200W A23

TC908-654B

CANDLEPOWER DISTRIBUTION (Candelas)



ZONAL LUMEN SUMMARY

Zone	Lumens	%Lamp	%Fixture
0-30°	1079	37.9	70.4
0-40°	1456	51.1	94.9
0-60°	1533	53.8	99.9
0-90°	1534	53.8	100.0
90-180°	0	—	—
0-180°	1534	53.8	100.0

COEFFICIENTS OF UTILIZATION- % (Zonal Cavity Method) Effective Floor Cavity Reflectance 20% (ρ_{fc})

RCR	ρ _{cc} ρ _w	80			70			50			30			10			0
		50	30	10	50	30	10	50	30	10	50	30	10	50	30	10	0
0		64	64	64	63	63	63	60	60	60	57	57	57	55	55	55	54
1		60	58	57	58	57	56	56	55	54	54	54	53	52	52	51	50
2		55	53	51	55	53	51	53	51	50	51	50	49	50	49	48	47
3		52	49	47	51	48	47	50	47	46	48	47	45	47	46	44	44
4		48	45	43	48	45	43	46	44	42	45	43	42	44	43	41	40
5		45	42	40	45	42	39	44	41	39	43	41	39	42	40	38	38
6		42	39	37	42	39	37	41	38	36	40	38	36	40	37	36	35
7		40	36	34	39	36	34	39	36	34	38	35	34	37	35	33	33
8		37	34	32	37	34	32	36	34	32	36	33	31	35	33	31	31
9		35	32	30	35	32	30	34	32	30	34	31	29	33	31	29	29
10		33	30	28	33	30	28	32	30	28	32	29	28	32	29	28	27

ρ_{cc} – Ceiling Cavity Reflectance (%) ρ_w – Wall Reflectance (%)

INITIAL FOOTCANDLES

One Unit, 150W A21, 62.2° Beam

Footcandles Beam Edge	Footcandles Beam Center	Beam Diameter	Distance to Illuminated Work Plane (Feet)
12.0	40.6	7.8'	6
6.7	22.8	10.4'	8
4.3	14.6	13.0'	10
3.0	10.1	15.6'	12
2.2	7.5	18.2'	14
1.7	5.7	20.8'	16
1.3	4.5	23.4'	18

(Beam Edge defined as 50% of Maximum Nadir Candlepower)

AVERAGE INITIAL FOOTCANDLES

Multiple Units (Square Array)

Ceiling 80% Wall 50% Floor 20%

Spacing	RCR1	RCR4	RCR8
5.0'	68	55	42
6.0'	47	38	29
7.0'	35	28	22
8.0'	27	21	16
9.0'	21	17	13
10.0'	17	14	11
12.0'	12	9	7

