

6" SUPER SLOPE CEILING LED - 900 LUMENS IC NEW CONSTRUCTION HOUSING

Project: _____

Fixture Type: _____

Location: _____

Contact/Phone: _____



PRODUCT DESCRIPTION

Dedicated LED, Air-Loc® sealed slope ceiling new construction housing with integral light engine • IC rated construction housing can be completely covered with insulation • Fully sealed housing stops infiltration and exfiltration of air, reducing heating and air cooling costs without the use of additional gaskets • LED housing is designed to provide 50,000 hours of life and is compatible with standard Juno trims • 5 year limited warranty on LED components.

ENVIRONMENTALLY FRIENDLY, ENERGY EFFICIENT

- No harmful ultraviolet or infrared wavelengths
- No lead or mercury
- Comparable light output to 26W compact fluorescent while consuming less than 16W*



PRODUCT SPECIFICATIONS

LED Light Engine Extruded heat sink and cast aluminum slider plate integrated directly with housing provides superior thermal management to ensure the long life of the LED • Replaceable light engine mounts directly to slider plate and incorporates the latest generation, high lumen output LED array • LEDs are binned to standards that exceed ENERGY STAR® requirements yielding superior fixture to fixture color uniformity • 2700K, 3000K, 3500K, or 4100K color temperatures available • 80 minimum CRI typical.

Optical System Computer-optimized internal reflector with specular finish coupled with a high transmission diffusing lens conceals the LEDs and produces uniform aperture luminance • Adjustable slider plate to position LEDs/reflector perpendicular to floor • Plate includes 1/4" adjustment indicators for consistent alignment.

Aesthetic Trim Selections Compatible with a selection of existing Juno trims • Shadow free, knife edge design blends seamlessly into ceiling.

LED Driver Choice of dedicated 120 volt driver or universal voltage driver that accommodates input voltages from 120-277 volts AC at 50-60Hz • Power factor > 0.9 at 120V input • 120 volt only driver dimmable with the use of most incandescent, magnetic low voltage and electronic low voltage wall box dimmers • Universal voltage driver is dimmable with the use of most 0-10V wall dimmers • For a list of compatible dimmers, see **JUNOLEDG3-DIM** • Mounted inside housing on a removable J-box cover for ease of maintenance.

Life Rated for 50,000 hours at 70% lumen maintenance.

Labels ENERGY STAR® Qualified to luminaires V1.1 requirements when used with select baffle and cone trims • Certified to high efficiency requirements of California T24-2008 with select trims • UL listed for U.S. and Canada through-branch wiring, damp locations • Union made • UL and cUL listed.

Testing All reports are based on published industry procedures; field performance may differ from laboratory performance.

Product specifications subject to change without notice.

HOUSING FEATURES

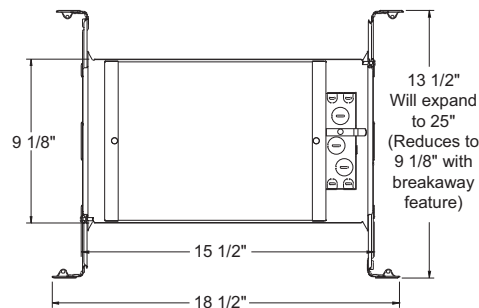
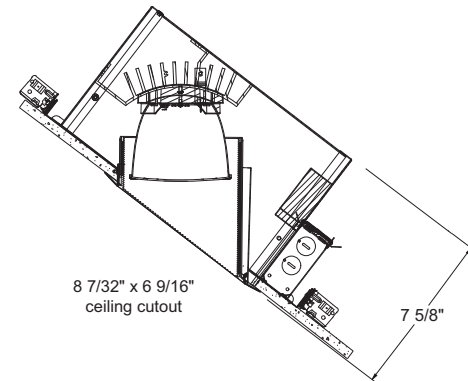
Housing Designed for use in IC (insulated ceiling) or non-IC construction • .032" aluminum housing sealed for Air-Loc compliance • Access door for junction box accessibility • Insert skirt is vertically adjustable to accommodate up to a 1" ceiling thickness.

Junction Box Pre-wired junction box provided with (5) 1/2" and (1) 3/4" knockouts, (4) non-metallic sheathed cable connectors and ground wire, UL and cUL listed for through-branch wiring, maximum 8 No. 12 AWG 90° C branch circuit conductors (4 in, 4 out) • Junction box provided with removable access plates

SUPER SLOPE:
7/12 to 12/12 PITCH (30° to 45°)

IC928LED9G3 OPEN TRIMS

DIMENSIONS



- Knockouts equipped with pryout slots • Push-in electrical connectors supplied as standard for fast, secure installation.

Mounting Frame 22-gauge die-formed galvanized steel mounting frame • Rough-in section (junction box, mounting frame, housing and bar hangers) fully assembled for ease of installation.

Real Nail® 3 Bar Hangers Telescoping Real Nail® 3 system permits quick placement of housing anywhere within 24" O.C. joists or suspended ceilings • Includes removable nail for repositioning of fixture in wood joist construction • Integral T-bar mounting feature for suspended ceilings • Design covered under patents US5,505,419 and D552,969.

ELECTRICAL DATA

DEDICATED 120 VOLT ONLY DRIVER OPTION

	120V
Input Power	15.4W (+/-5%)
Input Current - Max	0.15A
Frequency	50/60Hz
EMI/RFI	FCC Title 47 CFR, Part 15, Class B (residential)
Minimum starting temp	-20°C

ELECTRICAL DATA UNIVERSAL VOLTAGE

	120V	277V
Input Power	16.5W (+/-5%)	16.9W (+/-5%)
Input Current - Max	0.155A	0.072A
Frequency	50/60Hz	50/60Hz
EMI/RFI	FCC Title 47 CFR, Part 15, Class A (commercial)	FCC Title 47 CFR, Part 15, Class A (commercial)
Minimum starting temp	-40°C	-40°C

*Nominal input wattage @ 120 volt operation with dedicated 120 volt driver under stable operating conditions.

6" SUPER SLOPE CEILING LED - 900 LUMENS IC NEW CONSTRUCTION HOUSING

SUPER SLOPE: 7/12 to 12/12 PITCH (30° to 45°)



IC928LED9G3 OPEN TRIMS

ORDERING INFORMATION: Housing and trim each ordered separately.

Example: **IC928LED9G3-35K-1**

Housing	Color Temperature	Voltage
IC928LED9G3	27K 2700K 3K 3000K 35K 3500K 41K 4100K	1 Dedicated 120V only (forward phase and ELV dimming) U Universal Voltage 120-277V (0-10V dimming)

Example: **604W-WH**

Trim/Description		
	604B-WH¹ 604B-SC¹ 604B-ABZ¹ 604B-BL¹ 604W-WH	Black Baffle Black Baffle Black Baffle Black Baffle White Baffle
	602C-WH 602B-WH¹ 602HZ-WH 602HZ-SC 602W-WH 602WHZ-WH 602WHZ-ABZ	Cone - Clear Alzak® Cone - Black Alzak® Cone - Haze Cone - Haze Cone - White Cone - Wheat Haze Cone - Wheat Haze
Trim Size: 602 and 604 - 9 ³ / ₁₆ " x 8 ³ / ₁₆ " O.D. Trim Finish: ABZ - Classic Aged Bronze, BL - Black, SC - Satin Chrome, WH - White. Alzak is a registered trademark of Alcoa Corp. Note: In Canada when insulation is present, Type IC fixtures must be used. ¹ Universal voltage: T24 @ 3K, 35K and 41K only.		

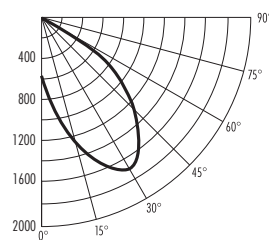
PHOTOMETRIC REPORT

Test Report #: PT06120601R

Catalog No: IC928LED9G3-35K-1
with 604W-WH Trim

Luminaire Spacing Criterion: 2.54

Luminaire LPW: 63



CANDLEPOWER DISTRIBUTION (Candelas)

Degrees Vertical	0°
0	407
5	767
10	1028
15	1271
20	1491
25	1660
30	1730
35	1673
40	1505
45	1292
50	995
55	561
60	291
65	132
70	58
75	22
80	7
85	3
90	0

AVERAGE INITIAL FOOTCANDLES

Multiple Units (Square Array, 60' x 60' room)

Ceiling 80% Wall 50% Floor 20%

Spacing	RCR1	RCR3	RCR5
4.0'	66	54	44
5.0'	42	350	28
6.0'	29	24	20
7.0'	24	19	16
8.0'	19	15	13
9.0'	14	12	10
10.0'	11	9	7

ZONAL LUMEN SUMMARY

Zone	Lumens	%Lamp	%Fixture
0 - 30°	390	N/A	39.6
0 - 40°	637	N/A	64.8
0 - 60°	934	N/A	95.0
0 - 90°	983	N/A	100.0

INITIAL FOOTCANDLES

(One Unit, 15.5W, 42.7° Beam)

Distance to Footcandle Illuminated Plane (Ft.)	Beam Center	Beam Diameter
6	11.3	4.7'
8	6.4	6.3'
10	4.1	7.8'
12	2.8	9.4'
14	2.1	10.9'
16	1.6	12.5'
18	1.3	14.1'
20	1.0	15.6'

LUMINANCE (Average cd/m²)

Degrees	Average Luminance
45	119225
55	63834
65	20425
75	5559
85	2476



1300 S. Wolf Road • Des Plaines, IL 60018 • Phone (847) 827-9880 • Fax (847) 827-2925
 220 Chrysler Drive • Brampton, Ontario • Canada L6S 6B6 • Phone (905) 792-7335 • Fax (905) 792-0064
 Visit us at www.junolightinggroup.com

Printed in U.S.A. ©2012 Juno Lighting, LLC.