



6" SUPER SLOPE CEILING CFL IC NEW CONSTRUCTION HOUSING

Project: _____

Fixture Type: _____

Location: _____

Contact/Phone: _____

SUPER SLOPE:

7/12 to 12/12 PITCH (30° to 45°)

CFL LAMPS

ICPL928-42

PRODUCT DESCRIPTION

ICPL Energy Star, Air-Loc® sealed double-wall construction housing

- No separate ALG gasket required
- Can be completely covered with insulation
- Fully sealed housing stops infiltration and exfiltration of air, reducing heating and air cooling costs
- 2 year warranty.

PRODUCT SPECIFICATIONS

Lamp One 26W, 32W or 42W triple tube (4-pin) CFL lamp CFTR26W/GX24q-3, CFTR32W/GX24q-3 or CFTR42W/GX24q-4.

Socket Supplied with threaded barrel CFL socket. Socket mounts to an adjustable plate to accommodate various pitch ceilings

- Plate includes 1/4" adjustment indicators to aid in socket alignment.

Upper Reflector Screw on type reflector mounts to threaded barrel socket and is removable to accommodate plate adjustment and coil spring trim installation

- Clear Alzak® finish reflector is optimized for use with CFL lamps.

Ballast 120V HPF Rapid Start Electronic with end-of-life lamp protection

- Optional dimming ballast available (Title 24 compliant, not Energy Star qualified)
- UL listed/CSA certified.

Trims Trim selection shown on reverse.

Labels Energy Star qualified

- UL Listed for contact with insulation, through-branch wiring and damp locations
- Meets Washington State Air Tight Requirements, IECC
- Complies with FCC Part 18 consumer use limits
- Product mechanically protected against improper use of lamps
- Union made AFL-CIO
- Complies with California's Title 24 energy code

Testing All reports are based on published industry procedures; field performance may differ from laboratory performance.

Product specifications subject to change without notice.

INSTALLATION

Real Nail 3 Bar Hangers Telescoping, patent-pending Real Nail 3 system permits quick placement of housing anywhere within 24" O.C. joists or suspended ceilings

- Integral T-bar notch and clip secures housing in suspended ceiling grid – no accessory clips required
- 24" expansion stop allows quick placement of fixture in standard grid spacing
- Bars scored in two locations for fast, clean breaking, allowing housing installation in tight applications
- Bars captive to mounting frame
- Edge-mounted for extra strength
- Captive bugle-headed ring shank nail for quick one-step installation and easy removal with claw hammer for fixture relocation
- Quick-Loc slot and oversized locking set screw lock fixture in position
- Bar hanger foot contoured to align to bottom of construction joist
- Alternate mounting holes included.

Junction Box Pre-wired junction box provided with (6) 1/2" and (1) 3/4" knockouts, (4) Non-metallic sheathed cable connectors and ground wire, U.L. listed for through-branch wiring, maximum 8 No. 12 AWG 90° C branch circuit conductors (4 in, 4 out)

- Junction box provided with removable access plates
- Knockouts equipped with pryout slots.

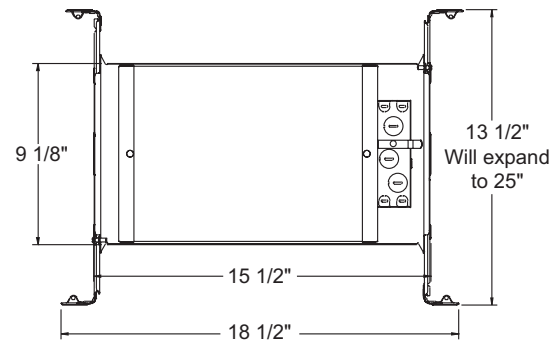
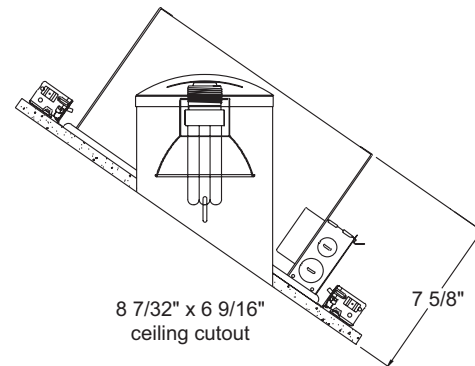
Mounting Frame 22-gauge die-formed galvanized steel mounting frame

- Rough-in section (junction box, mounting frame, housing and bar hangers) fully assembled for ease of installation.

Housing IC housing, .032" aluminum sealed for Air-Loc Compliance

- Junction box accessible through outer housing
- Housing is vertically adjustable to accommodate up to a 1" ceiling thickness
- Designed to fit into 2 x 8 construction.

DIMENSIONS



PRODUCT CODES

Catalog Number	Input Voltage	Lamp Rating (max.)
ICPL928-42	120V, 60Hz	26W, 32W or 42W Triple Tube CFL

OPTIONS

(Add as suffix to housing)

Suffix No.	Description
-DB120	120V HPF Dimming Ballast

Note: This product is not Energy Star qualified, but Title 24 compliant.

Ordering Example: ICPL928-42-**DB120**

ENGINEERING DATA




	ICPL928-42 120V (HPF) 26W/32W/42W	ICPL928-42-DB120 120V Dimming (HPF) 26W/32W/42W
Total input power	29W/36W/46W	31W/38W/49W
Operating AMPS	0.24A/0.31A/0.38A	0.26A/0.32A/0.41A
Power Factor	>.98	>.98
T.H.D.	<10%	<10%
Min. starting temperature	0°F/ -18°C	50°F/ 10°C
Crest Factor	<1.70	<1.60
Ballast Factor	1.10/0.98/0.98	0.05 min/1.00 max

6" SUPER SLOPE CEILING CFL IC NEW CONSTRUCTION HOUSING

SUPER SLOPE:
7/12 to 12/12 PITCH (30° to 45°)

CFL LAMPS
ICPL928-42

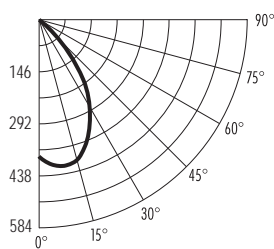
TRIMS/LAMPS

Cat. No.	Description	Lamp Rating
 604B-WH	Downlight with Black Baffle	42W Triple Tube
604B-SC	Downlight with Black Baffle	
604B-ABZ	Downlight with Black Baffle	
604B-BL	Downlight with Black Baffle	
604W-WH	Downlight with White Baffle	
 602C-WH	Multiplier Cone - Clear Alzak®	42W Triple Tube
602G-WH	Multiplier Cone - Gold Alzak®	
602B-WH	Multiplier Cone - Black Alzak®	
602HZ-WH	Multiplier Cone - Haze	
602HZ-SC	Multiplier Cone - Haze	
602W-WH	Multiplier Cone - White	
602WHZ-WH	Multiplier Cone - Wheat Haze	
602WHZ-ABZ	Multiplier Cone - Wheat Haze	
 6033B-WH	Black Baffle, Regressed Frosted Dome Lens	32W Triple Tube
6033W-WH	White Baffle, Regressed Frosted Dome Lens	

Trim Size: 602 and 604 - 9^{5/16}" x 8^{5/16}" O.D., 6033 - 9^{1/8}" O.D.
Trim Finish: ABZ - Classic Aged Bronze, BL - Black, SC - Satin Chrome, WH - White.
Note: In Canada when insulation is present, Type IC fixtures must be used.

PHOTOMETRIC REPORT

Test Report #: PT07081501
Catalog No: ICPL928-42-604W-WH
Total Luminaire Efficiency: 52%
Luminaire Spacing Criterion @ 0°: 1.04
Luminaire: 6" Slope Downlight, Clear Alzak Upper Reflector, White Baffle Trim
Lamp: One F42TBX/835/A/4P lamp rated @ 3200 lumens



CANDLEPOWER DISTRIBUTION (Candelas)

Degrees	0°
Vertical	Average
0	409
5	416
10	419
15	420
20	408
25	333
30	240
35	189
40	140
45	70
50	19
55	0
60	0
65	0
70	0
75	0
80	0
85	0
90	0

AVERAGE INITIAL FOOTCANDLES

Multiple Units (Square Array)
Ceiling 80% Wall 50% Floor 20%

Spacing	RCR1	RCR3	RCR5
5.0'	67	50	40
6.0'	46	35	28
7.0'	37	28	22
8.0'	30	22	18
9.0'	23	17	14
10.0'	17	12	10
12.0'	12	9	7

ZONAL LUMEN SUMMARY

Zone	Lumens	%Lamp	%Fixture
0 - 30°	399	12.5	24.0
0 - 40°	649	20.3	39.0
0 - 60°	1116	34.9	67.0
0 - 90°	1560	48.8	93.7
90 - 180°	105	3.2	6.3
0 - 180°	1665	52.0	100.0

INITIAL FOOTCANDLES (One Unit, 42W Triple Tube, 72° Beam)

Distance to Illuminated Plane (Feet)	Footcandles Beam Center	Footcandles Beam Edge	Beam Diameter
6	11.4	1.1	8.8'
8	6.4	0.6	11.7'
10	4.1	0.4	14.6'
12	2.8	0.3	17.5'
14	2.1	0.2	20.4'
16	1.6	0.2	23.4'
18	1.3	0.1	26.3'
20	1.0	0.1	29.2'

(Beam Edge defined as 50% of Maximum Nadir Candlepower)

LUMINANCE (Average cd/m²)

Degrees	Average 0° Luminance
45	0
55	0
65	0
75	0
85	0

COEFFICIENTS OF UTILIZATION - % (Zonal Cavity Method) Effective Floor Cavity Refl. 20% (ρfc)

RCR	ρcc	80		70		50		30		10		0		
		ρw	50	30	10	50	30	10	50	10	50	10	0	
0		61	61	61	59	59	59	56	56	53	53	50	50	49
1		52	49	47	50	48	46	47	44	45	42	42	40	39
2		45	41	37	43	40	37	41	35	39	34	37	33	31
3		39	35	31	38	34	30	36	29	34	29	32	28	26
4		35	30	26	34	29	26	32	25	30	24	29	24	22
5		31	26	22	30	26	22	29	22	27	21	26	21	19
6		28	23	20	27	23	19	26	19	25	18	23	18	17
7		25	20	17	25	20	17	23	17	22	16	21	16	15
8		23	18	15	22	18	15	21	15	21	15	20	14	13
9		21	17	14	21	16	14	20	13	19	13	18	13	12
10		19	15	12	19	15	12	18	12	18	12	17	12	11

ρcc - Ceiling Cavity Reflectance (%) ρw - Wall Reflectance (%)



1300 S. Wolf Road • Des Plaines, IL 60018 • Phone (847) 827-9880 • Fax (847) 827-2925
220 Chrysler Drive • Brampton, Ontario • Canada L6S 6B6 • Phone (905) 792-7335 • Fax (905) 792-0064
Visit us at www.junolightinggroup.com

Printed in U.S.A. ©2008 Juno Lighting, LLC.