

JUNO

Project: _____

Fixture Type: _____

Location: _____

Contact/Phone: _____

6" SLOPE CEILING CFL IC REMODEL HOUSING

STANDARD SLOPE:
2/12 to 6/12 PITCH (9° to 27°)

CFL LAMPS

ICPL926R-32

PRODUCT DESCRIPTION

ICPL Energy Star, Air-Loc® sealed remodel housing • No separate ALG gasket required • Can be completely covered with insulation • Fully sealed housing stops infiltration and exfiltration of air, reducing heating and air cooling costs • 2 year warranty.

PRODUCT SPECIFICATIONS

Lamp One 26W or 32W triple tube (4-pin) CFL lamp
CFTR26W/GX24q-3 or CFTR32W/GX24q-3.

Socket Supplied with threaded barrel CFL socket. Socket mounts to an adjustable plate to accommodate various pitch ceilings
• Plate includes 1/4" adjustment indicators to aid in socket alignment.

Upper Reflector Screw on type reflector mounts to threaded barrel socket and is removable to accommodate plate adjustment and coil spring trim installation • Clear Alzak® finish reflector is optimized for use with CFL lamps.

Ballast 120V HPF Rapid Start Electronic with end-of-life lamp protection • Optional dimming ballast available • UL listed/CSA certified.

Trims Trim selection shown on reverse.

Labels Energy Star qualified • UL Listed for contact with insulation and damp locations • Meets Washington State Air Tight Requirements, IECC • Complies with FCC Part 18 consumer use limits • Product mechanically protected against improper use of lamps • Union made AFL-CIO • Complies with California's Title 24 energy code

Testing All reports are based on published industry procedures; field performance may differ from laboratory performance.

Product specifications subject to change without notice.

INSTALLATION

Junction Box Pre-wired junction box provided with removable access plate, (5) 1/2" knockouts, (4) Non-metallic sheathed cable connectors and ground wire • Knockouts equipped with pryout slots.

Housing .032" aluminum housing • Remodel clips accommodate up to a 1 1/4" ceiling thickness.

PRODUCT CODES

Catalog Number	Input Voltage	Lamp Rating (max.)
ICPL926R-32	120V, 60Hz	26W or 32W Triple Tube CFL

OPTIONS

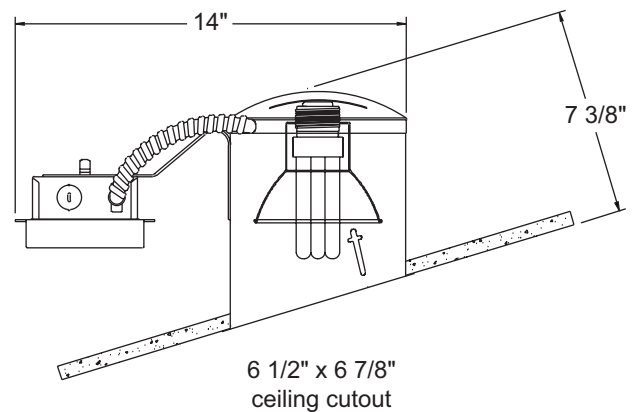
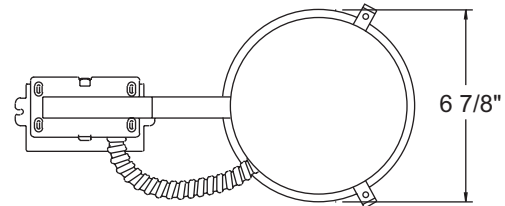
(Add as suffix to housing)

Suffix No.	Description
-32N-DB120	120V NPF Dimming Ballast

Note: This product is Energy Star qualified and Title 24 compliant.

Ordering Example: ICPL926R-32N-DB120

DIMENSIONS



ENGINEERING DATA

	ICPL926R 120V (HPF) 26W/32W	ICPL926R-32N-DB120 120 Dimming (NPF) 26W/32W
Total input power	29W/36W	27W/35W
Operating AMPS	0.24A/0.31A	0.23A/0.30A
Power Factor	>.98	>.80
T.H.D.	<10%	<150%
Min. starting temperature	0°F/ -18°C	50°F/ 10°C
Crest Factor	<1.70	<1.70
Ballast Factor	1.10/0.98	.15 min/.85 max

6" SLOPE CEILING CFL IC REMODEL HOUSING

STANDARD SLOPE:
2/12 to 6/12 PITCH (9° to 27°)

CFL LAMPS

ICPL926R-32

TRIMS/LAMPS

Cat. No.	Description	Max. Lamp Rating
 614B-WH 614B-SC 614B-ABZ 614B-BL 614W-WH	Downlight with Black Baffle	32W Triple Tube
	Downlight with Black Baffle	
	Downlight with Black Baffle	
	Downlight with Black Baffle	
	Downlight with White Baffle	
 612C-WH 612G-WH 612B-WH 612HZ-WH 612HZ-SC 612W-WH 612WHZ-WH 612WHZ-ABZ	Multiplier Cone - Clear Alzak®	32W Triple Tube
	Multiplier Cone - Gold Alzak®	
	Multiplier Cone - Black Alzak®	
	Multiplier Cone - Haze	
	Multiplier Cone - Haze	
	Multiplier Cone - White	
	Multiplier Cone - Wheat Haze	
Multiplier Cone - Wheat Haze		
 6330B-WH 6330W-WH	Black Baffle, Regressed Frosted Dome Lens	26W Triple Tube
	White Baffle, Regressed Frosted Dome Lens	

Trim Size: 612 and 614 - 7³/₈" x 7³/₈" O.D., 6330 - 7⁵/₈" O.D.
Trim Finish: ABZ - Classic Aged Bronze, BL - Black, SC - Satin Chrome, WH - White.

Note: In Canada when insulation is present, Type IC fixtures must be used.

PHOTOMETRIC REPORT

Test Report #: PT07081003

Catalog No: ICPL926R-32-614W-WH

Total Luminaire Efficiency: 36.5%

Luminaire Spacing Criterion @ 0°: 1.13

Luminaire: 6" Slope Downlight, Clear Alzak Upper Reflector, White Baffle Trim

Lamp: One F32TBX/835/A/4P lamp rated @ 2400 lumens

AVERAGE INITIAL FOOTCANDLES

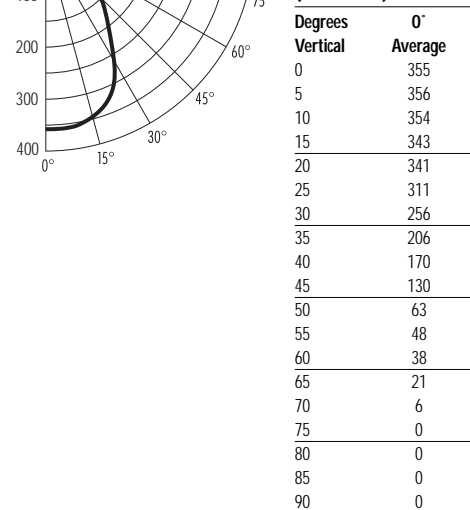
Multiple Units (Square Array)
Ceiling 80% Wall 50% Floor 20%

Spacing	RCR1	RCR3	RCR5
5.0'	36	29	24
6.0'	25	20	17
7.0'	21	16	14
8.0'	16	13	11
9.0'	12	10	8
10.0'	9	7	6
12.0'	6	5	4

ZONAL LUMEN SUMMARY

Zone	Lumens	%Lamp	%Fixture
0 - 30°	312	13.0	35.6
0 - 40°	486	20.2	55.4
0 - 60°	735	30.6	83.8
0 - 90°	869	36.2	99.1
90 - 180°	8	0.3	0.9
0 - 180°	877	36.5	100.0

CANDLEPOWER DISTRIBUTION (Candelas)



INITIAL FOOTCANDLES (One Unit, 32W Triple Tube, 64° Beam)

Distance to Illuminated Plane (Feet)	Footcandles Beam Center	Footcandles Beam Edge	Beam Diameter
6	9.9	1.6	7.4'
8	5.5	0.9	9.9'
10	3.6	0.6	12.4'
12	2.5	0.4	14.9'
14	1.8	0.3	17.4'
16	1.4	0.2	19.8'
18	1.1	0.2	22.3'
20	0.9	0.1	24.8'

(Beam Edge defined as 50% of Maximum Nadir Candlepower)

LUMINANCE (Average cd/m²)

Degrees	Average 0° Luminance
45	10101
55	4546
65	2715
75	0
85	0

COEFFICIENTS OF UTILIZATION - % (Zonal Cavity Method) Effective Floor Cavity Refl. 20% (ρfc)

RCR	ρcc	80		70		50		30		10		0		
		ρw	50	30	10	50	30	10	50	10	50	10	0	
0		43	43	43	42	42	42	40	40	39	39	37	37	36
1		38	37	36	38	36	35	36	34	34	33	33	32	31
2		34	32	30	33	31	29	32	29	31	28	30	27	27
3		30	28	25	30	27	25	29	25	28	24	27	24	23
4		27	24	22	27	24	22	26	22	25	21	24	21	20
5		25	22	19	24	21	19	23	19	23	19	22	19	18
6		22	19	17	22	19	17	21	17	21	17	20	17	16
7		20	17	15	20	17	15	20	15	19	15	19	15	14
8		19	16	14	19	16	14	18	14	18	14	17	14	13
9		17	15	13	17	14	13	17	13	16	12	16	12	12
10		16	13	12	16	13	12	16	11	15	11	15	11	11

ρcc - Ceiling Cavity Reflectance (%) ρw - Wall Reflectance (%)

