



Project: _____

Fixture Type: _____

Location: _____

Contact/Phone: _____

6" SLOPE CEILING CFL IC NEW CONSTRUCTION HOUSING

STANDARD SLOPE:

2/12 to 6/12 PITCH (9° to 27°)

CFL LAMPS

ICPL926-42

PRODUCT DESCRIPTION

ICPL Energy Star, Air-Loc® sealed double-wall construction housing

- No separate ALG gasket required
- Can be completely covered with insulation
- Fully sealed housing stops infiltration and exfiltration of air, reducing heating and air cooling costs
- 2 year warranty.

PRODUCT SPECIFICATIONS

Lamp One 26W, 32W or 42W triple tube (4-pin) CFL lamp CFTR26W/GX24q-3, CFTR32W/GX24q-3 or CFTR42W/GX24q-4.

Socket Supplied with threaded barrel CFL socket. Socket mounts to an adjustable plate to accommodate various pitch ceilings

- Plate includes 1/4" adjustment indicators to aid in socket alignment.

Upper Reflector Screw on type reflector mounts to threaded barrel socket and is removable to accommodate plate adjustment and coil spring trim installation

- Clear Alzak® finish reflector is optimized for use with CFL lamps.

Ballast 120V HPF Rapid Start Electronic with end-of-life lamp protection

- Optional dimming ballast available (Title 24 compliant, not Energy Star qualified)
- UL listed/CSA certified.

Trims Trim selection shown on reverse.

Labels Energy Star qualified

- UL Listed for contact with insulation, through-branch wiring and damp locations
- Meets Washington State Air Tight Requirements, IECC
- Complies with FCC Part 18 consumer use limits
- Product mechanically protected against improper use of lamps
- Union made AFL-CIO
- Complies with California's Title 24 energy code

Testing All reports are based on published industry procedures; field performance may differ from laboratory performance.

Product specifications subject to change without notice.

INSTALLATION

Real Nail 3 Bar Hangers Telescoping, patent-pending Real Nail 3 system permits quick placement of housing anywhere within 24" O.C. joists or suspended ceilings

- Integral T-bar notch and clip secures housing in suspended ceiling grid – no accessory clips required
- 24" expansion stop allows quick placement of fixture in standard grid spacing
- Bars scored in two locations for fast, clean breaking, allowing housing installation in tight applications
- Bars captive to mounting frame
- Edge-mounted for extra strength
- Captive bugle-headed ring shank nail for quick one-step installation and easy removal with claw hammer for fixture relocation
- Quick-Loc slot and oversized locking set screw lock fixture in position
- Bar hanger foot contoured to align to bottom of construction joist
- Alternate mounting holes included.

Junction Box Pre-wired junction box provided with (6) 1/2" and (1) 3/4" knockouts, (4) Non-metallic sheathed cable connectors and ground wire, U.L. listed for through-branch wiring, maximum 8 No. 12 AWG 90° C branch circuit conductors (4 in, 4 out)

- Junction box provided with removable access plates
- Knockouts equipped with pryout slots.

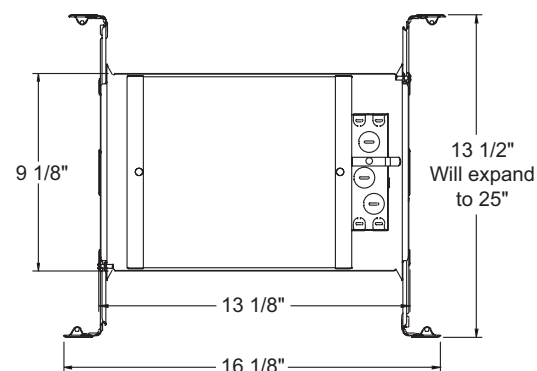
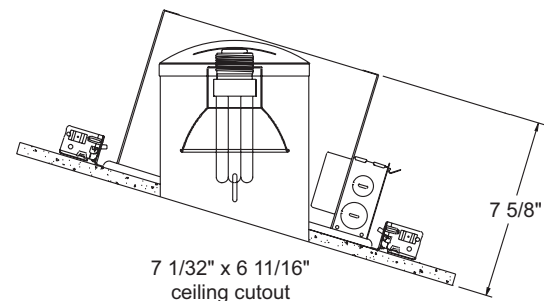
Mounting Frame 22-gauge die-formed galvanized steel mounting frame

- Rough-in section (junction box, mounting frame, housing and bar hangers) fully assembled for ease of installation.

Housing IC housing, .032" aluminum sealed for Air-Loc Compliance

- Junction box accessible through outer housing
- Inner housing is vertically adjustable to accommodate up to a 1" ceiling thickness
- Designed to fit into 2 x 8 construction.

DIMENSIONS



PRODUCT CODES

Catalog Number	Input Voltage	Lamp Rating (max.)
ICPL926-42	120V, 60Hz	26W, 32W or 42W Triple Tube CFL

OPTIONS

(Add as suffix to housing)

Suffix No.	Description
-DB120	120V HPF Dimming Ballast

Note: This product is not Energy Star qualified, but Title 24 compliant.

Ordering Example: ICPL926-42-**DB120**

ENGINEERING DATA

	ICPL926-42 120V (HPF) 26W/32W/42W	ICPL926-42-DB120 120V Dimming (HPF) 26W/32W/42W
Total input power	29W/36W/46W	31W/38W/49W
Operating AMPS	0.24A/0.31A/0.38A	0.26A/0.32A/0.41A
Power Factor	>.98	>.98
T.H.D.	<10%	<10%
Min. starting temperature	0°F/ -18°C	50°F/ 10°C
Crest Factor	<1.70	<1.60
Ballast Factor	1.10/0.98/0.98	0.05 min./1.00 max




6" SLOPE CEILING CFL IC NEW CONSTRUCTION HOUSING

STANDARD SLOPE:
2/12 to 6/12 PITCH (9° to 27°)

CFL LAMPS

ICPL926-42

TRIMS/LAMPS

Cat. No. Rating	Description	Max. Lamp
 614B-WH 614B-SC 614B-ABZ 614B-BL 614W-WH	Downlight with Black Baffle Downlight with Black Baffle Downlight with Black Baffle Downlight with Black Baffle Downlight with White Baffle	42W Triple Tube
 612C-WH 612G-WH 612B-WH 612HZ-WH 612HZ-SC 612W-WH 612WHZ-WH 612WHZ-ABZ	Multiplier Cone - Clear Alzak® Multiplier Cone - Gold Alzak® Multiplier Cone - Black Alzak® Multiplier Cone - Haze Multiplier Cone - Haze Multiplier Cone - White Multiplier Cone - Wheat Haze Multiplier Cone - Wheat Haze	42W Triple Tube
 6330B-WH 6330W-WH	Black Baffle, Regressed Frosted Dome Lens White Baffle, Regressed Frosted Dome Lens	32W Triple Tube

Trim Size: 612 and 614 - 7³/₈" x 7³/₈" O.D., 6330 - 7⁵/₈" O.D.
Trim Finish: ABZ - Classic Aged Bronze, BL - Black, SC - Satin Chrome, WH - White.

Note: In Canada when insulation is present, Type IC fixtures must be used.

PHOTOMETRIC REPORT

Test Report #: PT06080402

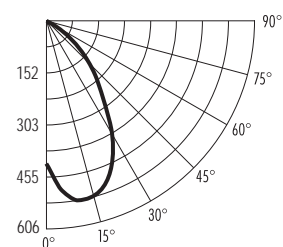
Catalog No: ICPL926-42-614W-WH

Total Luminaire Efficiency: 51.4%

Luminaire Spacing Criterion @ 0°: 1.30

Luminaire: 6" Slope Downlight, Clear Alzak Upper Reflector, White Baffle Trim

Lamp: One F42TBX/835/A/4P lamp rated @ 3200 lumens



CANDLEPOWER DISTRIBUTION (Candelas)

Degrees	0°
Vertical	Average
0	435
5	482
10	527
15	525
20	508
25	455
30	388
35	353
40	294
45	219
50	168
55	135
60	110
65	51
70	14
75	0
80	0
85	0
90	0

AVERAGE INITIAL FOOTCANDLES

Multiple Units (Square Array)

Ceiling 80% Wall 50% Floor 20%

Spacing	RCR1	RCR3	RCR5
5.0'	68	52	41
6.0'	47	36	28
7.0'	38	30	23
8.0'	30	23	18
9.0'	23	18	14
10.0'	17	13	10
12.0'	12	9	7

ZONAL LUMEN SUMMARY

Zone	Lumens	%Lamp	%Fixture
0 - 30°	451	14.1	27.5
0 - 40°	740	23.1	45.0
0 - 60°	1272	39.8	77.4
0 - 90°	1623	50.7	98.7
90 - 180°	21	0.7	1.3
0 - 180°	1644	51.4	100.0

INITIAL FOOTCANDLES

(One Unit, 42W Triple Tube, 76° Beam)

Distance to Illuminated Plane (Feet)	Footcandles Beam Center	Footcandles Beam Edge	Beam Diameter
6	12.1	0.9	9.4'
8	6.8	0.5	12.5'
10	4.4	0.3	15.6'
12	3.0	0.2	18.7'
14	2.2	0.2	21.8'
16	1.7	0.1	25.0'
18	1.3	0.1	28.1'
20	1.1	0.1	31.2'

(Beam Edge defined as 50% of Maximum Nadir Candlepower)

LUMINANCE

(Average cd/m²)

Degrees	Average 0° Luminance
45	20216
55	15363
65	7877
75	0
85	0

COEFFICIENTS OF UTILIZATION - % (Zonal Cavity Method) Effective Floor Cavity Refl. 20% (ρfc)

RCR	ρcc	80		70		50		30		10		0		
		ρw	50	30	10	50	30	10	50	10	50	10	0	
0		61	61	61	60	60	60	57	57	54	54	52	52	51
1		53	51	49	52	50	48	49	46	47	45	45	43	42
2		46	43	40	45	42	39	43	38	41	37	40	36	35
3		41	36	33	40	36	33	38	32	37	31	35	31	30
4		36	31	28	35	31	28	34	27	33	27	31	26	25
5		32	28	24	32	27	24	30	24	29	23	28	23	22
6		29	24	21	28	24	21	27	21	27	20	26	20	19
7		26	22	19	26	22	19	25	18	24	18	23	18	17
8		24	20	17	24	19	17	23	16	22	16	22	16	15
9		22	18	15	22	18	15	21	15	20	15	20	15	14
10		20	16	14	20	16	13	19	13	19	13	18	13	12

ρcc - Ceiling Cavity Reflectance (%) ρw - Wall Reflectance (%)

