

ICPL926R-32 Series 6" Standard Slope CFL Remodel Housing IC Rated

ENERGY EFFICIENT

Juno



Features

- 6" standard slope remodel housing
- 120V HPF rapid start electronic FCC Class B ballast with end of life lamp protection
- One 26W or 32W triple tube (4-pin) CFL lamp
- Energy Star, Air-Loc® CFL remodel housing does not require separate gasket
- Oblique angle housing design holds trims flush with the ceiling
- Socket mounts to an adjustable plate to accommodate various pitch ceilings
- Supplied with threaded barrel CFL socket
- Remodel clips accommodate up to a 1 1/4" ceiling thickness
- Pre-wired junction box with six (5) 1/2" knockouts equipped with pryout slots, four (4) non-metallic sheathed cable connectors, and ground wire
- Shadow-free, knife-edge trim design blends smoothly into the ceiling allows architectural continuity with Aculux® trims
- Angle-cut baffles ensure grooves remain parallel to the floor to provide proper optics
- 2 year warranty
- Lamp wattage ratings and apertures based on trim selection on page 112



new

Description

ICPL Energy Star, Air-Loc® sealed remodel housing for use in 2/12 to 6/12 pitch slopes (9° to 27°) • Can be completely covered with insulation • Fully sealed Air-Loc housing stops infiltration and exfiltration of air, reducing heating and cooling costs • Juno's patented Slope Ceiling Down-Lites direct light straight down, providing proper lighting from a sloped surface

Listings

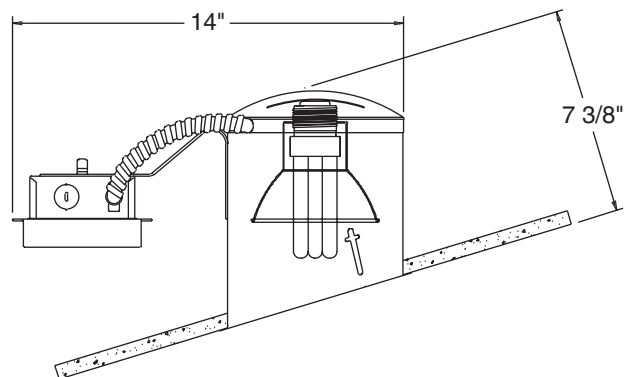
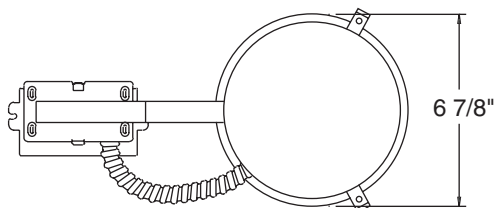
Energy Star qualified • UL Listed for contact with insulation and damp locations • Meets Washington State Air Tight Requirements, IECC • Complies with FCC Part 18 consumer use limits • Complies with California's Title 24 energy code

Ordering Information

Catalog Number: **ICPL926R-32**

Catalog Number: **ICPL926R-32N-DB120** - ICPL926R-32 with 120V NPF dimming ballast – T24 and Energy Star® compliant

Dimensions



6 1/2" x 6 7/8" Ceiling Cutout

Down-Lites



JUNO LIGHTING GROUP
by Schneider Electric