

Juno®

Project: _____

Fixture Type: _____

Location: _____

Contact/Phone: _____

6" IC LED RETROFIT DOWNLIGHT TRIM



900 LUMEN

J6RLG4



PRODUCT DESCRIPTION

All-in-one 6" LED Retrofit downlight trim installs into existing 6" incandescent housings with medium base sockets or Juno IC23-LEDT24 and IC23R-LEDT24 quick connect recessed housings • May be used in housings completely covered with insulation • Selection of interchangeable baffle and cone trim inserts can be changed in the field to customize the look of the product • Dimmable with most standard incandescent or electronic low voltage dimmers • Designed to provide 50,000 hours of life • 5 year limited warranty on LED components.

ENVIRONMENTALLY FRIENDLY, ENERGY EFFICIENT

- No harmful ultraviolet or infrared wavelengths
- No lead or mercury
- Comparable light output to 75W PAR30 incandescent while consuming 14W

PRODUCT SPECIFICATIONS

LED Retrofit Downlight Trim Aluminum housing with white painted flange as standard • All-in-one design where LED light engine mounts directly to trim • Quick release slot allows for field changing of trim inserts • Provided with torsion springs as standard • Accessory kit available for use in housings that do not have torsion spring retaining brackets.

LED Light Engine LEDs are integrated to one piece high purity aluminum, thermally conductive housing to provide uninterrupted heat transfer to ensure long life of the LED • 2700K, 3000K, 3500K or 4100K color temperature available • 90 CRI minimum • Accommodates 120 volts AC at 60Hz • Dimmable with most standard incandescent, magnetic low voltage and electronic low voltage wall box dimmers • For a list of compatible dimmers, see [JUNOICLED-DIM](#) and reference dimmer list for dedicated 120V only housing.

Trim Inserts Choice of baffle or cone inserts in a selection of finishes ship installed in trim • Interchangeable design allows the inserts to be changed in the field • All inserts available to order as an accessory.

Optical System Computer-optimized reflector design with high reflectance white finish coupled with a high transmission diffusing lens conceals the LEDs • Efficient system that can produce over 900 lumens while using 14W.

Electrical Connections Trim features quick connect plug installed as standard for installation into IC23-LEDT24 and IC23R-LEDT24 housings with mating connector • Trim ships with a medium base socket adapter whip for installation into 6" incandescent housings with medium base sockets.

Life Rated for 50,000 hours at 70% lumen maintenance.

Labels ENERGY STAR® Qualified when used with select baffle and cone inserts • Certified to the high efficacy requirements of California T24 when used with select baffle and cone inserts • Suitable for wet locations • Union made • UL and cUL classified for use with 6" incandescent medium based housings and Juno IC23-LEDT24 or IC23R-LEDT24; see below for specific compatibility requirements.

Testing All reports are based on published industry procedures; field performance may differ from laboratory performance.

Product specifications subject to change without notice.

COMPATIBLE HOUSINGS

The J6RLG4 retrofit module is compatible with most 6" recessed housings measuring at least 5-1/4" high with an inside diameter between 6" and 6-3/4". Removal of the housing socket plate or socket mounting bracket may be required in order for the trim to fit properly. If housing does not have torsion spring brackets, the V6RL-TRB accessory is required.

Compatible housings include, but not limited to:

Juno housings: IC2, IC22, IC23, IC21 and TC2 Series

Juno quick-connect LED housings: IC23-LEDT24 and IC23R-LEDT24

VuLite housings: V6IC and V6TC Series

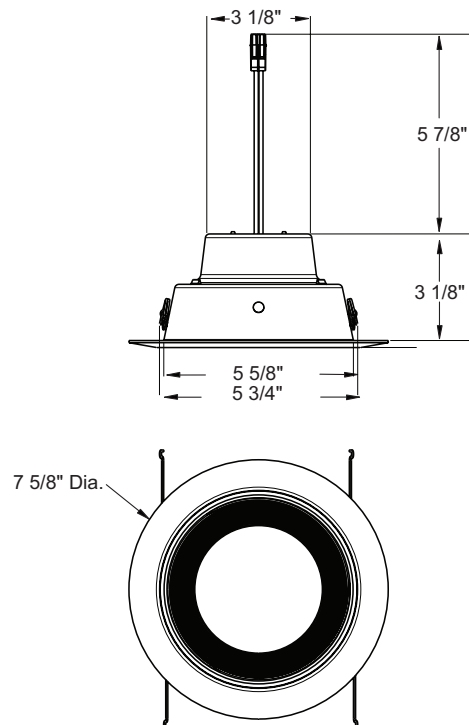
Halo housings: H7 Series, H25 Series

Thomas housings: PS1 and PS3 Series

Capri housings: CR1, PR1, QL6 Series, P9ASIC Series

Lithonia housings: L7X and LC6 Series

DIMENSIONS



ELECTRICAL DATA

120V	
Input Power	14.5W (+/-5%)
Input Current - Max	0.12A
Frequency	50/60Hz
EMI/RFI	FCC Title 47 CFR, Part 15, Class B (consumer)
Minimum starting temp	-25°C
CRI	90 min.

MOUNTING ACCESSORIES

Catalog No.	Description
V6RL-TRB	Torsion receiver bracket kit to install trim into housings that do not have torsion receiver brackets

To order, specify catalog number.

6" IC LED RETROFIT DOWNLIGHT TRIM

900 LUMEN

J6RLG4

ORDERING INFORMATION: Retrofit and accessories each ordered separately.

Example: **J6RLG4-27K-9-WWH**

Downlight Retrofit	Color Temperature	Lumen Package	Trim
J6RLG4	27K 2700K 3K 3000K 35K 3500K 41K 4100K	9 900 Lumen	WWH White Baffle BWH¹ Black Baffle CLW Clear Cone WHW White Cone HZW Haze Cone WZW Wheat Haze Cone

¹ Not ENERGY STAR rated

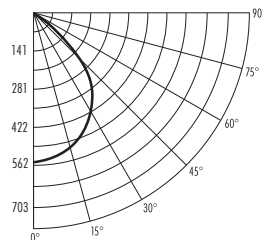
ACCESSORIES

Catalog No.	Description
J6RLTRIM-WWH	White Baffle Trim Insert
J6RLTRIM-BWH	Black Baffle Trim Insert
J6RLTRIM-CLW	Clear Cone Trim Insert
J6RLTRIM-WHW	White Cone Trim Insert
J6RLTRIM-HZW	Haze Cone Trim Insert
J6RLTRIM-WZW	Wheat Haze Cone Trim Insert

To order, specify catalog number.

PHOTOMETRIC REPORT

Test Report #: PT12141105R
Catalog No: J6RLG4-27K-9-WWH
with White Baffle Trim
Luminaire Spacing Criterion: 1.14
Luminaire LPW: 64



CANDLEPOWER DISTRIBUTION (Candelas)

Degrees Vertical	Candelas
0°	556
5	552
15	523
25	464
35	353
45	190
55	87
65	43
75	20
85	5
90	0

Multipliers: 3000K - 1.04
3500K - 1.05
4100K - 1.07

AVERAGE INITIAL FOOTCANDLES

Multiple Units (Square Array, 60'x60' room)			
Ceiling 80% Wall 50% Floor 20%			
Spacing	RCR1	RCR3	RCR5
4.0'	63	51	42
5.0'	40	33	27
6.0'	28	23	19
7.0'	23	18	15
8.0'	18	15	12
9.0'	14	11	9
10.0'	10	8	7

ZONAL LUMEN SUMMARY

Zone	Lumens	%Lamp	%Fixture
0 - 30°	412	N/A	44.4
0 - 40°	630	N/A	67.8
0 - 60°	858	N/A	92.4
0 - 90°	928	N/A	100.0

INITIAL FOOTCANDLES (One Unit, 14.5W, 79.1° Beam)

Distance to Illuminated Plane (Feet)	Footcandles Beam Center	Beam Diameter
4	34.8	6.6'
6	15.4	9.9'
8	8.7	13.2'
10	5.6	16.5'

LUMINANCE (Average cd/m²)

Degrees	Average Luminance
45	17379
55	9820
65	6577
75	4946
85	3777

Fixtures tested to IES recommended standard for solid state lighting per LM-79-08. Photometric performance on a single unit represents a baseline of performance for the fixture. Results may vary in the field.

PERFORMANCE DATA²

Catalog Number	Trim	Watts (Typical)	Lumens	Efficacy (LPW)	Rated Life (Hours)
J6RLG4-27K-9-CLW	Clear	14.5W	986	68	50,000
J6RLG4-27K-9-HZW	Haze	14.5W	949	65	50,000
J6RLG4-27K-9-WWH	White Baffle	14.5W	929	64	50,000
J6RLG4-3K-9-CLW	Clear	14.5W	1,023	71	50,000
J6RLG4-3K-9-HZW	Haze	14.5W	984	68	50,000
J6RLG4-3K-9-WWH	White Baffle	14.5W	962	66	50,000
J6RLG4-35K-9-CLW	Clear	14.5W	1,038	72	50,000
J6RLG4-35K-9-HZW	Haze	14.5W	999	69	50,000
J6RLG4-35K-9-WWH	White Baffle	14.5W	976	67	50,000
J6RLG4-41K-9-CLW	Clear	14.5W	1,053	73	50,000
J6RLG4-41K-9-HZW	Haze	14.5W	1,013	70	50,000
J6RLG4-41K-9-WWH	White Baffle	14.5W	990	68	50,000

² Performance data, including Rated Life, is based on measurements of an individual fixture operating in a 25°C ambient.



1300 S. Wolf Road • Des Plaines, IL 60018 • Phone (847) 827-9880 • Fax (847) 827-2925
220 Chrysler Drive • Brampton, Ontario • Canada L6S 6B6 • Phone (905) 792-7335 • Fax (905) 792-0064
Visit us at www.junolightinggroup.com

Printed in U.S.A. ©2015 Juno Lighting, LLC.