

# Juno®

Project: \_\_\_\_\_

Fixture Type: \_\_\_\_\_

Location: \_\_\_\_\_

Contact/Phone: \_\_\_\_\_

## 6" IC LED RETROFIT DOWNLIGHT TRIM



600 LUMEN

### J6RLG4



### PRODUCT DESCRIPTION

All-in-one 6" LED Retrofit downlight trim installs into existing 6" incandescent housings with medium base sockets or Juno IC23-LEDT24 and IC23R-LEDT24 quick connect recessed housings • May be used in housings completely covered with insulation • Selection of interchangeable baffle and cone trim inserts can be changed in the field to customize the look of the product • Dimmable with most standard incandescent or electronic low voltage dimmers • Designed to provide 50,000 hours of life • 5 year limited warranty on LED components.

### ENVIRONMENTALLY FRIENDLY, ENERGY EFFICIENT

- No harmful ultraviolet or infrared wavelengths
- No lead or mercury
- Comparable light output to 65W BR30 incandescent while consuming 11W

### PRODUCT SPECIFICATIONS

**LED Retrofit Downlight Trim** Aluminum housing with white painted flange as standard • All-in-one design where LED light engine mounts directly to trim • Quick release slot allows for field changing of trim inserts • Provided with torsion springs as standard • Accessory kit available for use in housings that do not have torsion spring retaining brackets.

**LED Light Engine** LEDs are integrated to one piece high purity aluminum, thermally conductive housing to provide uninterrupted heat transfer to ensure long life of the LED • 2700K, 3000K, 3500K or 4100K color temperature available • 90 CRI minimum • Accommodates 120 volts AC at 60Hz • Dimmable with most standard incandescent, magnetic low voltage and electronic low voltage wall box dimmers • For a list of compatible dimmers, see [JUNOICLED-DIM](#) and reference dimmer list for dedicated 120V only housing.

**Trim Inserts** Choice of baffle or cone inserts in a selection of finishes ship installed in trim • Interchangeable design allows the inserts to be changed in the field • All inserts available to order as an accessory.

**Optical System** Computer-optimized reflector design with high reflectance white finish coupled with a high transmission diffusing lens conceals the LEDs • Efficient system that can produce over 600 lumens while using 11W.

**Electrical Connections** Trim features quick connect plug installed as standard for installation into IC23-LEDT24 and IC23R-LEDT24 housings with mating connector • Trim ships with a medium base socket adapter whip for installation into 6" incandescent housings with medium base sockets.

**Life** Rated for 50,000 hours at 70% lumen maintenance.

**Labels** ENERGY STAR® Qualified when used with select baffle and cone inserts • Certified to the high efficacy requirements of California T24 when used with select baffle and cone inserts • Suitable for wet locations • Union made • UL and cUL classified for use with 6" incandescent medium based housings and Juno IC23-LEDT24 or IC23R-LEDT24; see below for specific compatibility requirements.

**Testing** All reports are based on published industry procedures; field performance may differ from laboratory performance.

Product specifications subject to change without notice.

### COMPATIBLE HOUSINGS

The J6RLG4 retrofit module is compatible with most 6" recessed housings measuring at least 5-1/4" high with an inside diameter between 6" and 6-3/4". Removal of the housing socket plate or socket mounting bracket may be required in order for the trim to fit properly. If housing does not have torsion spring brackets, the V6RL-TRB accessory is required.

**Compatible housings include, but not limited to:**

**Juno housings:** IC2, IC22, IC23, IC21 and TC2 Series

**Juno quick-connect LED housings:** IC23-LEDT24 and IC23R-LEDT24

**VuLite housings:** V6IC and V6TC Series

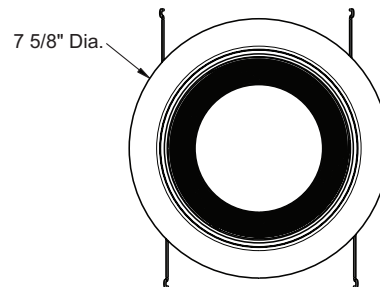
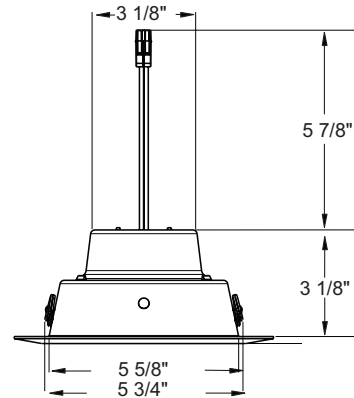
**Halo housings:** H7 Series, H25 Series

**Thomas housings:** PS1 and PS3 Series

**Capri housings:** CR1, PR1, QL6 Series, P9ASIC Series

**Lithonia housings:** L7X and LC6 Series

### DIMENSIONS



### ELECTRICAL DATA

120V	
Input Power	11.4W (+/-5%)
Input Current - Max	0.10A
Frequency	50/60Hz
EM/RFI	FCC Title 47 CFR, Part 15, Class B (consumer)
Minimum starting temp	-30°C
CRI	90 min.

### MOUNTING ACCESSORIES

Catalog No.	Description
V6RL-TRB	Torsion receiver bracket kit to install trim into housings that do not have torsion receiver brackets

To order, specify catalog number.

# 6" IC LED RETROFIT DOWNLIGHT TRIM

600 LUMEN

## J6RLG4

**ORDERING INFORMATION:** Retrofit and accessories each ordered separately.

Example: **J6RLG4-27K-6-WWH**

Downlight Retrofit	Color Temperature	Lumen Package	Trim
<b>J6RLG4</b>	<b>27K</b> 2700K <b>3K</b> 3000K <b>35K</b> 3500K <b>41K</b> 4100K	<b>6</b> 600 Lumen	<b>WWH</b> White Baffle <b>BWH<sup>1</sup></b> Black Baffle <b>CLW</b> Clear Cone <b>WHW</b> White Cone <b>HZW</b> Haze Cone <b>WZW</b> Wheat Haze Cone

<sup>1</sup> Not ENERGY STAR rated

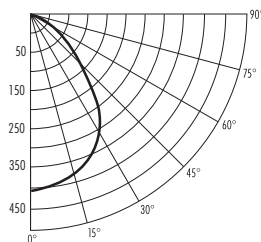
### ACCESSORIES

Catalog No.	Description
<b>J6RLTRIM-WWH</b>	White Baffle Trim Insert
<b>J6RLTRIM-BWH</b>	Black Baffle Trim Insert
<b>J6RLTRIM-CLW</b>	Clear Cone Trim Insert
<b>J6RLTRIM-WHW</b>	White Cone Trim Insert
<b>J6RLTRIM-HZW</b>	Haze Cone Trim Insert
<b>J6RLTRIM-WZW</b>	Wheat Haze Cone Trim Insert

To order, specify catalog number.

### PHOTOMETRIC REPORT

Test Report #: PT12141203R  
Catalog No: J6RLG4-27K-6-WWH  
with White Baffle Trim  
Luminaire Spacing Criterion: 1.14  
Luminaire LPW: 60



### CANDLEPOWER DISTRIBUTION (Candelas)

Degrees Vertical	Candelas
0°	0
0	412
5	410
15	387
25	343
35	261
45	140
55	64
65	32
75	15
85	4
90	0

Multiplier: 3K - 1.02  
35K - 1.04  
41K - 1.08

### AVERAGE INITIAL FOOT CANDLES

Multiple Units (Square Array, 60"x60" room)  
Ceiling 80% Wall 50% Floor 20%

Spacing	RCR1	RCR3	RCR5
4.0'	46	38	31
5.0'	30	24	20
6.0'	21	17	14
7.0'	17	14	11
8.0'	13	11	9
9.0'	10	8	7
10.0'	7	6	5

### ZONAL LUMEN SUMMARY

Zone	Lumens	%Lamp	%Fixture
0-30°	305	N/A	44.4
0-40°	467	N/A	67.9
0-60°	635	N/A	92.4
0-90°	688	N/A	100.0

### INITIAL FOOT CANDLES (One Unit, 11.4W, 79.1° Beam)

Distance to Illuminated Plane (Feet)	Footcandles Beam Center	Beam Diameter
4	25.8	6.6'
6	11.4	9.9'
8	6.4	13.2'
10	4.1	16.5'

### LUMINANCE (Average cd/m<sup>2</sup>)

Degrees	Average Luminance
45	12856
55	7261
65	4871
75	3675
85	2806

Fixtures tested to IES recommended standard for solid state lighting per LM-79-08. Photometric performance on a single unit represents a baseline of performance for the fixture. Results may vary in the field.

### PERFORMANCE DATA<sup>2</sup>

Catalog Number	Trim	Watts (Typical)	Lumens	Efficacy (LPW)	Rated Life (Hours)
<b>J6RLG4-27K-6-CLW</b>	Clear	11.4W	733	64	50,000
<b>J6RLG4-27K-6-HZW</b>	Haze	11.4W	700	61	50,000
<b>J6RLG4-27K-6-WWH</b>	White Baffle	11.4W	688	60	50,000
<b>J6RLG4-3K-6-CLW</b>	Clear	11.4W	745	65	50,000
<b>J6RLG4-3K-6-HZW</b>	Haze	11.4W	712	62	50,000
<b>J6RLG4-3K-6-WWH</b>	White Baffle	11.4W	699	61	50,000
<b>J6RLG4-35K-6-CLW</b>	Clear	11.4W	765	67	50,000
<b>J6RLG4-35K-6-HZW</b>	Haze	11.4W	731	64	50,000
<b>J6RLG4-35K-6-WWH</b>	White Baffle	11.4W	718	63	50,000
<b>J6RLG4-41K-6-CLW</b>	Clear	11.4W	789	69	50,000
<b>J6RLG4-41K-6-HZW</b>	Haze	11.4W	754	66	50,000
<b>J6RLG4-41K-6-WWH</b>	White Baffle	11.4W	741	65	50,000

<sup>2</sup> Performance data, including Rated Life, is based on measurements of an individual fixture operating in a 25 °C ambient.



1300 S. Wolf Road • Des Plaines, IL 60018 • Phone (847) 827-9880 • Fax (847) 827-2925  
220 Chrysler Drive • Brampton, Ontario • Canada L6S 6B6 • Phone (905) 792-7335 • Fax (905) 792-0064  
Visit us at [www.junolightinggroup.com](http://www.junolightinggroup.com)

Printed in U.S.A. ©2015 Juno Lighting, LLC.