

Juno

Project: _____

Fixture Type: _____

Location: _____

Contact/Phone: _____

6" IC LED RETROFIT DOWNLIGHT TRIM

900 LUMEN

J6RLG3

PRODUCT DESCRIPTION

All-in-one 6" LED Retrofit downlight trim installs into existing 6" incandescent housings with medium base sockets or Juno IC23-LEDT24 and IC23R-LEDT24 quick connect recessed housings • May be used in housings completely covered with insulation • Selection of interchangeable baffle and cone trim inserts can be changed in the field to customize the look of the product • Dimmable with most standard incandescent or electronic low voltage dimmers • Designed to provide 50,000 hours of life • 5 year limited warranty on LED components.

ENVIRONMENTALLY FRIENDLY, ENERGY EFFICIENT

- No harmful ultraviolet or infrared wavelengths
- No lead or mercury
- Comparable light output to 75W PAR30 incandescent while consuming less than 16W*

PRODUCT SPECIFICATIONS

LED Retrofit Downlight Trim Aluminum housing with white painted flange as standard • All-in-one design where LED light engine mounts directly to trim • Quick release slot allows for field changing of trim inserts • Provided with torsion springs as standard • Accessory kit available for use in housings that do not have torsion spring retaining brackets.

LED Light Engine LED array integrated to one piece high purity aluminum, thermally conductive housing provides uninterrupted heat transfer to ensure long life of the LED • Light engine incorporates the latest generation, high lumen output LED array • LEDs are binned to standards that exceed ENERGY STAR® requirements yielding superior fixture to fixture color uniformity • 2700K, 3000K, 3500K or 4100K color temperature available • 83 CRI typical.

LED Driver Dedicated 120 volt driver • Power factor > 0.9 at 120V input • Dimmable with the use of most incandescent, magnetic low voltage and electronic low voltage wall box dimmers • For a list of compatible dimmers, see JUNOLEDG3-9-DIM and reference dimmer list for dedicated 120V only housing.

Trim Inserts Choice of baffle or cone inserts in a selection of finishes ship installed in trim • Interchangeable design allows the inserts to be changed in the field • All inserts available to order as an accessory.

Optical System Computer-optimized reflector design with high reflectance white finish coupled with a high transmission diffusing lens conceals the LEDs • Efficient system that can produce over 900 lumens while using less than 16W*.

Electrical Connections Trim features quick connect plug installed as standard for installation into IC23-LEDT24 and IC23R-LEDT24 housings with mating connector • Trim ships with a medium base socket adapter whip for installation into 6" incandescent housings with medium base sockets.

Life Rated for 50,000 hours at 70% lumen maintenance.

Labels ENERGY STAR® Qualified to luminaires V1.1 requirements • Suitable for wet locations • Union made • UL and cUL classified for use with 6" incandescent medium based housings and Juno IC23-LEDT24 or IC23R-LEDT24.

Testing All reports are based on published industry procedures; field performance may differ from laboratory performance.

Product specifications subject to change without notice.

COMPATIBLE HOUSINGS

The J6RLG3 retrofit module is compatible with most 6" recessed housings measuring at least 5-1/4" high with an inside diameter between 6" and 6-3/4". Removal of the housing socket plate or socket mounting bracket may be required in order for the trim to fit properly. If housing does not have torsion spring brackets, the V6RL-TRB accessory is required. Compatible housings include, but not limited to:

Juno housings: IC2 and TC2 Series, IC22 Series, IC23 Series, IC21 Series

VuLite housings: V6IC and V6TC Series

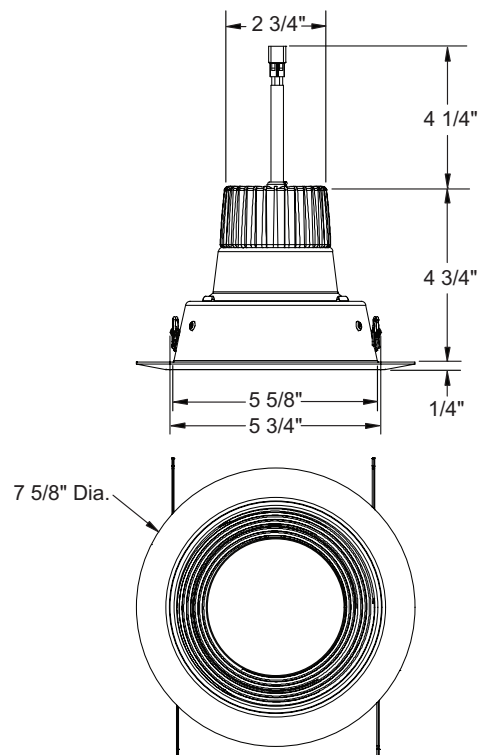
Halo housings: H7 Series

Thomas housings: PS1 and PS3 Series

Capri housings: QL1 Series

Lithonia housings: L7X and LC6 Series

DIMENSIONS



ELECTRICAL DATA

120V	
Input Power	15.4W (+/-5%)
Input Current - Max	0.15A
Frequency	50/60Hz
EMI/RFI	FCC Title 47 CFR, Part 15, Class B (residential)
Minimum starting temp	-20°C

ACCESSORIES

Catalog No.	Description
V6RL-TRB	Torsion receiver bracket kit to install trim into housings that do not have torsion receiver brackets

* Nominal input wattage under stable operating conditions.

6" IC LED RETROFIT DOWNLIGHT TRIM

900 LUMEN

J6RLG3

ORDERING INFORMATION: Retrofit and accessories each ordered separately.

Example: **J6RLG3-27K-9-WWH**

Downlight Retrofit	Color Temperature	Lumen Package	Trim
J6RLG3	27K 2700K 3K 3000K 35K 3500K 41K 4100K	9 900 Lumen	WWH White Baffle BWH¹ Black Baffle CLW Clear Cone WHW White Cone HZW Haze Cone WZW Wheat Haze Cone

¹ Not ENERGY STAR rated

ACCESSORIES

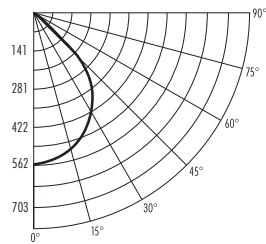
Catalog No.	Description
J6RLTRIM-WWH	White Baffle Trim Insert
J6RLTRIM-BWH	Black Baffle Trim Insert
J6RLTRIM-CLW	Clear Cone Trim Insert
J6RLTRIM-WHW	White Cone Trim Insert
J6RLTRIM-HZW	Haze Cone Trim Insert
J6RLTRIM-WZW	Wheat Haze Cone Trim Insert

To order, specify catalog number.

PHOTOMETRIC REPORT

Test Report #: PT12110101R
Catalog No: J6RLG3-27K-9-WWH
with White Baffle Trim

Luminaire Spacing Criterion: 1.14
Luminaire LPW: 56



CANDLEPOWER DISTRIBUTION (Candelas)

Degrees Vertical	0°
0	562
5	556
15	527
25	473
35	349
45	150
55	69
65	37
75	16
85	1
90	0

Multipliers: 3000K - 1.07
3500K - 1.08
4100K - 1.09

AVERAGE INITIAL FOOTCANDLES

Multiple Units (Square Array, 60'x60' room)
Ceiling 80% Wall 50% Floor 20%

Spacing	RCR1	RCR3	RCR5
4.0'	59	49	41
5.0'	38	31	26
6.0'	26	22	18
7.0'	21	18	15
8.0'	17	14	12
9.0'	13	11	9
10.0'	9	8	7

ZONAL LUMEN SUMMARY

Zone	Lumens	%Lamp	%Fixture
0-30°	417	N/A	47.6
0-40°	630	N/A	72.0
0-60°	817	N/A	93.4
0-90°	875	N/A	100.0

INITIAL FOOTCANDLES (One Unit, 15.7W, 76.6° Beam)

Distance to Illuminated Plane (Feet)	Footcandles Beam Center	Beam Diameter
4	35.1	6.3'
6	15.6	9.5'
8	8.8	12.6'
10	5.6	15.8'

LUMINANCE (Average cd/m²)

Degrees	Average Luminance
45	11629
55	6606
65	4769
75	3426
85	925

Fixtures tested to IES recommended standard for solid state lighting per LM-79-08. Photometric performance on a single unit represents a baseline of performance for the fixture. Results may vary in the field.

PERFORMANCE DATA²

Catalog Number	Trim	Watts (Typical)	Lumens	Efficacy (LPW)	Rated Life (Hours)
J6RLG3-27K-9-CLW	Clear	15.7W	915	58	50,000
J6RLG3-27K-9-HZW	Haze	15.7W	906	58	50,000
J6RLG3-27K-9-WWH	White Baffle	15.7W	875	56	50,000
J6RLG3-3K-9-CLW	Clear	15.7W	980	62	50,000
J6RLG3-3K-9-HZW	Haze	15.7W	970	62	50,000
J6RLG3-3K-9-WWH	White Baffle	15.7W	936	60	50,000
J6RLG3-35K-9-CLW	Clear	15.7W	988	63	50,000
J6RLG3-35K-9-HZW	Haze	15.7W	978	62	50,000
J6RLG3-35K-9-WWH	White Baffle	15.7W	945	60	50,000
J6RLG3-41K-9-CLW	Clear	15.7W	999	64	50,000
J6RLG3-41K-9-HZW	Haze	15.7W	989	63	50,000
J6RLG3-41K-9-WWH	White Baffle	15.7W	954	61	50,000

²Performance data, including Rated Life, is based on measurements of an individual fixture operating in a 25 °C ambient.



1300 S. Wolf Road • Des Plaines, IL 60018 • Phone (847) 827-9880 • Fax (847) 827-2925
220 Chrysler Drive • Brampton, Ontario • Canada L6S 6B6 • Phone (905) 792-7335 • Fax (905) 792-0064
Visit us at www.junolightinggroup.com

Printed in U.S.A. ©2014 Juno Lighting, LLC.