

JUNO

6" SLOPE CEILING LED - 900 LUMENS WARMDIM® IC NEW CONSTRUCTION HOUSING

Project: _____

Fixture Type: _____

Location: _____

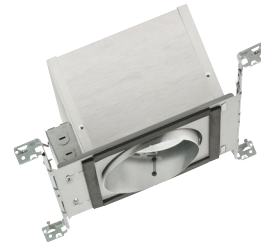
Contact/Phone: _____



STANDARD SLOPE:

2/12 to 6/12 PITCH (9° to 27°)

IC926LWD9G4 LENSED TRIMS



PRODUCT DESCRIPTION

Dedicated LED, Air-Loc® sealed slope ceiling new construction housing with patented WarmDim® technology • LED color temperature warms while dimming to emulate the dimming performance of traditional incandescent light sources • IC rated construction housing can be completely covered with insulation • Fully sealed housing stops infiltration and exfiltration of air, reducing heating and air cooling costs without the use of additional gaskets • LED housing is designed to provide 50,000 hours of life and is compatible with standard Juno trims • 5 year limited warranty on LED components.

ENVIRONMENTALLY FRIENDLY, ENERGY EFFICIENT

- No harmful ultraviolet or infrared wavelengths
- No lead or mercury
- Comparable light output to 26W compact fluorescent

PRODUCT SPECIFICATIONS

LED Light Engine Proprietary patented micro processor controlled light engine emulates dimming performance of incandescent light source • Extruded heat sink and cast aluminum slider plate integrated directly with housing provides superior thermal management to ensure the long life of the LED • Replaceable light engine mounts directly to slider plate • 3000K color temperature at full lumen output • 90 CRI minimum throughout dimming range • Design covered under Patent US 8,710,754.

Optical System Computer-optimized internal reflector with specular finish coupled with a high transmission diffusing lens conceals the LEDs and produces uniform aperture luminance • Adjustable slider plate to position LEDs/reflector perpendicular to floor • Plate includes 1/4" adjustment indicators for consistent alignment.

Aesthetic Trim Selections Compatible with a selection of existing Juno trims • Trims are wet location approved for covered ceiling applications.

LED Driver Dedicated 120 volt driver • Power factor > 0.9 • Dimmable with the use of most incandescent, magnetic low voltage and electronic low voltage wall box dimmers • For a list of compatible dimmers, see [JUNOICLED-DIM](#) • Mounted inside housing on a removable J-box cover for ease of maintenance.

Life Rated for 50,000 hours at 70% lumen maintenance.

Labels UL listed for U.S. and Canada through-branch wiring, wet locations (covered ceilings) • Union made • UL and cUL listed.

Testing All reports are based on published industry procedures; field performance may differ from laboratory performance.

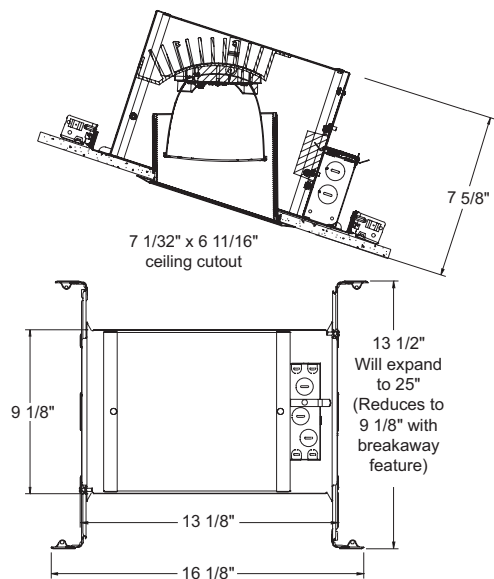
Product specifications subject to change without notice.

HOUSING FEATURES

Housing Designed for use in IC (insulated ceiling) or non-IC construction • .032" aluminum housing sealed for Air-Loc compliance • Access door for junction box accessibility • Inner skirt is vertically adjustable to accommodate up to a 1" ceiling thickness.

Junction Box Pre-wired junction box provided with (5) 1/2" and (1) 3/4" knockouts, (4) non-metallic sheathed cable connectors and ground wire, UL and cUL listed for through-branch wiring, maximum 8 No. 12 AWG 90° C branch circuit conductors (4 in, 4 out) • Junction box provided with removable access plates • Knockouts equipped with pryout slots • Push-in electrical connectors supplied as standard for fast, secure installation.

DIMENSIONS



Mounting Frame 22-gauge die-formed galvanized steel mounting frame • Rough-in section (junction box, mounting frame, housing and bar hangers) fully assembled for ease of installation.

Real Nail® 3 Bar Hangers Telescoping Real Nail® 3 system permits quick placement of housing anywhere within 24" O.C. joists or suspended ceilings • Includes removable nail for repositioning of fixture in wood joist construction • Integral T-bar mounting feature for suspended ceilings • Design covered under Patents D552,969.

6" SLOPE CEILING LED - 900 LUMENS WARMDIM® IC NEW CONSTRUCTION HOUSING

STANDARD SLOPE: 2/12 to 6/12 PITCH (9° to 27°)

IC926LWD9G4 LENSED TRIMS

ELECTRICAL DATA

DEDICATED 120 VOLT
ONLY DRIVER OPTION


120V	
Input Power	18.1W (+/-5%)
Input Current - Max	0.15A
Frequency	50/60Hz
EMI/RFI	FCC Title 47 CFR, Part 15, Class B (residential)
Minimum starting temp	-25°C

ORDERING INFORMATION: Housing and trim each ordered separately.

Example: **IC926LWD9G4-3K-1**

Housing	Color Temperature	Voltage
IC926LWD9G4	3K 3000K	1 Dedicated 120V only (forward phase and ELV dimming)

Example: **6330W-WH**

Trim/Description
 6330W-WH White Baffle, Regressed Frosted Dome Lens

UL Listed for use in wet location.

Trim Size: 7 $\frac{1}{8}$ " O.D.

Trim Finish: WH - White.

Note: In Canada when insulation is present, Type IC fixtures must be used.

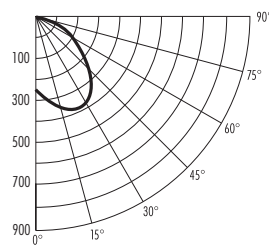
PHOTOMETRIC REPORT

Test Report #: PT04140805

Catalog No: IC926LWD9G4-1
with 6330W-WH Trim

Luminaire Spacing Criterion: 1.70

Luminaire LPW: 34



CANDLEPOWER DISTRIBUTION (Candelas)

Degrees Vertical	0°
0	271
5	304
10	338
15	365
20	381
25	384
30	372
35	343
40	302
45	254
50	207
55	163
60	124
65	92
70	64
75	42
80	24
85	9
90	0

AVERAGE INITIAL FOOTCANDLES

Multiple Units (Square Array, 60'x60' room)

Ceiling 80% Wall 50% Floor 20%

Spacing	RCR1	RCR3	RCR5
4.0'	40	31	25
5.0'	26	20	16
6.0'	18	14	11
7.0'	14	11	9
8.0'	11	9	7
9.0'	9	7	5
10.0'	6	5	4

ZONAL LUMEN SUMMARY

Zone	Lumens	%Lamp	%Fixture
0-30°	204	N/A	33.4
0-40°	321	N/A	52.5
0-60°	511	N/A	83.7
0-90°	611	N/A	100.0

INITIAL FOOTCANDLES

(One Unit, 17.8W, 66.1° Beam)

Distance to Illuminated Plane (Feet)	Footcandles Beam Center	Beam Diameter
4	16.9	5.2'
6	7.5	7.8'
8	4.2	10.4'
10	2.7	13.0'

LUMINANCE (Average cd/m²)

Degrees	Average Luminance
45	21364
55	16878
65	12895
75	9690
85	6205



1300 S. Wolf Road • Des Plaines, IL 60018 • Phone (847) 827-9880 • Fax (847) 827-2925
220 Chrysler Drive • Brampton, Ontario • Canada L6S 6B6 • Phone (905) 792-7335 • Fax (905) 792-0064
Visit us at www.junolightinggroup.com

Printed in U.S.A. ©2014 Juno Lighting, LLC.