

JUNO®

Project: _____

Fixture Type: _____

Location: _____

Contact/Phone: _____

6" PAR ADJUSTABLE

OPEN APERTURE

150W PAR38

TC954-699C, -699B, -699HZ

PRODUCT SPECIFICATIONS

Lamp One 150W PAR38 lamp.

Socket Medium base porcelain with nickel-plated copper screw shell.

Adjustability 0° to 35° vertical tilt, 358° horizontal rotation with adjustment locking mechanism.

Reflector .050" aluminum angle cut reflector with clear, black or haze Alzak® finish.

Trim Ring White baked enamel on steel.

Labels U.L. listed for through-branch wiring, damp locations, and IP • Product thermally protected against improper use of lamps or insulation • Union made • CSA certified.

Testing All reports are based on published industry procedures; field performance may differ from laboratory performance.

Product specifications subject to change without notice.

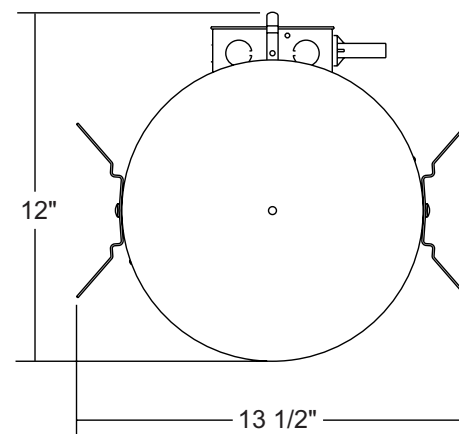
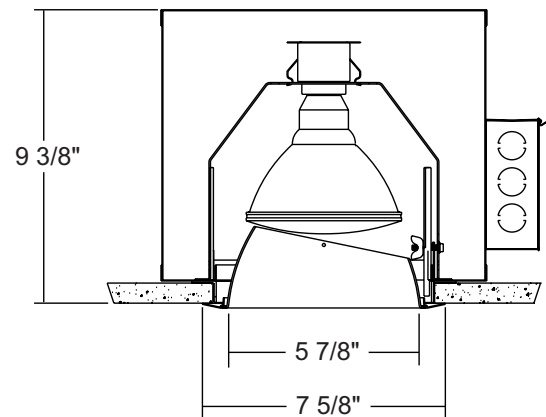
INSTALLATION

Mounting Bracket Rough-in section equipped with vertically adjustable mounting brackets that accept 1/2" conduit or "C" channels (HB-26 or HB-50) or linear flat bars (LB-27).

Junction Box Pre-wired junction box, U.L. listed/CSA certified for through-branch wiring, maximum 8 no. 12 AWG 90°C branch circuit conductors (4 in, 4 out) • Junction box provided with removable access plates, (5) 1/2" and (1) 3/4" knockouts and ground wire.

Housing 20-gauge galvanized steel mounting ring • 22-gauge steel housing, painted black • Fully assembled for ease of installation.

DIMENSIONS



6 7/8" CEILING CUTOUT

PRODUCT CODES

Catalog Number	Reflector Finish	Wattage and Lamp
TC954-699C-WH	Clear Alzak	150W PAR38
TC954-699B-WH	Black Alzak	150W PAR38
TC954-699HZ-WH	Haze	150W PAR38

ACCESSORIES

Catalog No.	Description
HB-26	Two 26" C-channel bar hangers
HB-50	Two 50" C-channel bar hangers
HB-1	Two 13 1/2" - 25" adjustable Real Nail® 3 bar hangers
LB-27	Two 27" linear bar hangers

To order, specify catalog number.

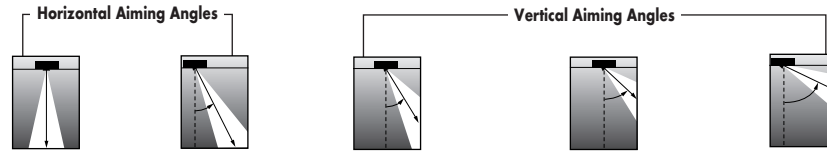
Catalog No: TC954-699C-WH
 Luminaire: Recessed Adjustable Downlight

6" PAR ADJUSTABLE

OPEN APERTURE

150W PAR38

TC954-699C, -699B, -699HZ



Lamp	Beam Type	Beam Spread°	Rated Life	CBCP	0°		30°			30°				45°				60°								
					MH	FC	L	W	FC	L	W	D	FC	X	L	W	FC	X	L	W	D	FC	X	L	W	
	SP	10°	3000	16000	6	444	1.0	1.0	289	1.4	1.2	3	222	5.2	2.0	1.0	629	3.0	1.1	0.7	8	162	4.6	1.9	1.6	
			16000	8	250	1.4	1.4	162	1.9	1.6	4	125	6.9	2.9	1.4	354	4.0	1.4	1.0	10	104	5.8	2.3	2.0		
			16000	10	160	1.7	1.7	104	2.3	2.0	5	80	8.7	3.6	1.7	226	5.0	1.8	1.2	12	72	6.9	2.8	2.4		
			16000	12	111	2.1	2.1	72	2.8	2.4	6	56	10.4	4.3	2.1	157	6.0	2.1	1.5	14	53	8.1	3.3	2.8		
			16000	14	82	2.4	2.4	53	3.3	2.8	7	41	12.1	5.0	2.4	115	7.0	2.5	1.7	16	41	9.2	3.7	3.2		
	FL	28°	3000	3600	6	100	3.0	3.0	65	4.1	3.5	3	50	5.2	7.3	3.0	141	3.0	3.2	2.1	4	146	2.3	2.7	2.3	
			3600	8	56	4.0	4.0	37	5.4	4.6	4	28	6.9	9.8	4.0	80	4.0	4.3	2.8	6	65	3.5	4.1	3.5		
			3600	10	36	5.0	5.0	23	6.8	5.8	5	18	8.7	12.2	5.0	51	5.0	5.3	3.5	8	37	4.6	5.4	4.6		
			3600	12	25	6.0	6.0	16	8.1	6.9	6	13	10.4	14.7	6.0	35	6.0	6.4	4.2	10	23	5.8	6.8	5.8		
			3600	14	18	7.0	7.0	12	9.5	8.1	7	9	12.1	17.1	7.0	26	7.0	7.4	4.9	12	16	6.9	8.1	6.9		
		SP	10°	2500	16000	8	250	1.4	1.4	162	1.9	1.6	3	222	5.2	2.1	1.0	629	3.0	1.1	0.7	8	162	4.6	1.9	1.6
				16000	12	111	2.1	2.1	72	2.8	2.4	5	80	8.7	3.6	1.7	226	5.0	1.8	1.2	10	104	5.8	2.3	2.0	
16000				14	82	2.4	2.4	53	3.3	2.8	7	41	12.1	5.0	2.4	115	7.0	2.5	1.7	12	72	6.9	2.8	2.4		
16000				16	63	2.8	2.8	41	3.7	3.2	9	25	15.6	6.4	3.1	70	9.0	3.2	2.2	14	53	8.1	3.3	2.8		
16000				18	49	3.1	3.1	32	4.2	3.6	11	17	19.1	7.9	3.8	47	11.0	3.9	2.7	16	41	9.2	3.7	3.2		
FL		27°	2500	4100	6	114	2.9	2.9	74	3.9	3.3	3	57	5.2	7.0	2.9	161	3.0	3.1	2.0	4	166	2.3	2.6	2.2	
			4100	8	64	3.8	3.8	42	5.2	4.4	4	32	6.9	9.3	3.8	91	4.0	4.1	2.7	6	74	3.5	3.9	3.3		
			4100	10	41	4.8	4.8	27	6.5	5.5	5	21	8.7	11.6	4.8	58	5.0	5.1	3.4	8	42	4.6	5.2	4.4		
			4100	12	28	5.8	5.8	18	7.8	6.7	6	14	10.4	13.9	5.8	40	6.0	6.1	4.1	10	27	5.8	6.5	5.5		
			4100	14	21	6.7	6.7	14	9.1	7.8	7	10	12.1	16.2	6.7	30	7.0	7.1	4.8	12	18	6.9	7.8	6.7		
		SP	10°	3000	29000	8	453	1.4	1.4	294	1.9	1.6	3	403	5.2	2.1	1.0	1140	3.0	1.1	0.7	8	294	4.6	1.9	1.6
				29000	10	290	1.7	1.7	188	2.3	2.0	5	145	8.7	3.6	1.7	410	5.0	1.8	1.2	10	188	5.8	2.3	2.0	
	29000			12	201	2.1	2.1	131	2.8	2.4	7	74	12.1	5.0	2.4	209	7.0	2.5	1.7	12	131	6.9	2.8	2.4		
	29000			14	148	2.4	2.4	96	3.3	2.8	9	45	15.6	6.4	3.1	127	9.0	3.2	2.2	14	96	8.1	3.3	2.8		
	29000			16	113	2.8	2.8	74	3.7	3.2	11	30	19.1	7.9	3.8	85	11.0	3.9	2.7	16	74	9.2	3.7	3.2		
	FL	27°	3000	7500	8	117	3.8	3.8	76	5.2	4.4	3	104	5.2	7.0	2.9	295	3.0	3.1	2.0	6	135	3.5	3.9	3.3	
			7500	10	75	4.8	4.8	49	6.5	5.5	4	59	6.9	9.3	3.8	166	4.0	4.1	2.7	8	76	4.6	5.2	4.4		
			7500	12	52	5.8	5.8	34	7.8	6.7	5	38	8.7	11.6	4.8	106	5.0	5.1	3.4	10	49	5.8	6.5	5.5		
			7500	14	38	6.7	6.7	25	9.1	7.8	6	26	10.4	13.9	5.8	74	6.0	6.1	4.1	12	34	6.9	7.8	6.7		
			7500	16	29	7.7	7.7	19	10.4	8.9	7	19	12.1	16.2	6.7	54	7.0	7.1	4.8	12	25	8.1	9.1	7.8		
	FL	40°	3000	3400	6	94	4.4	4.4	61	6.1	5.0	3	47	5.2	14.5	4.4	134	3.0	5.0	3.1	6	61	3.5	6.1	5.0	
			3400	8	53	5.8	5.8	35	8.1	6.7	4	27	6.9	19.3	5.8	75	4.0	6.7	4.1	8	35	4.6	8.1	6.7		
3400			10	34	7.3	7.3	22	10.2	8.4	5	17	8.7	24.1	7.3	48	5.0	8.4	5.1	10	22	5.8	10.2	8.4			
3400			12	24	8.7	8.7	15	12.2	10.1	6	12	10.4	**	8.7	33	6.0	10.1	6.2	12	15	6.9	12.2	10.1			
3400			14	17	10.2	10.2	11	14.2	11.8	7	9	12.1	**	10.2	25	7.0	11.7	7.2	14	11	8.1	14.2	11.8			

The beam spread in degrees and the beam "L" and "W" in the following tables are computed at 50% of centerbeam candlepower and represent areas of "effective illumination."

**Due to steep aiming angle, length of beam extends beyond 25'.



1300 S. Wolf Road • Des Plaines, IL 60018 • Phone (847) 827-9880 • Fax (847) 827-2925
 220 Chrysler Drive • Brampton, Ontario • Canada L6S 6B6 • Phone (905) 792-7335 • Fax (905) 792-0064
 Visit us at www.junolightinggroup.com

Printed in U.S.A. ©2013 Juno Lighting, LLC.