

# JUNO®

Project: \_\_\_\_\_

Fixture Type: \_\_\_\_\_

Location: \_\_\_\_\_

Contact/Phone: \_\_\_\_\_

## 6" PAR ADJUSTABLE

BAFFLED APERTURE

150W PAR38

**TC954-698B**

### PRODUCT SPECIFICATIONS

**Lamp** One 150W PAR38 lamp.

**Socket** Medium base porcelain with nickel-plated copper screw shell.

**Adjustability** 0° to 35° vertical tilt, 358° horizontal rotation with adjustment locking mechanism.

**Baffle** Black phenolic, angle cut baffle.

**Trim Ring** White baked enamel on steel.

**Labels** U.L. listed for through-branch wiring, damp locations, and IP • Product thermally protected against improper use of lamps or insulation • Union made • CSA certified.

**Testing** All reports are based on published industry procedures; field performance may differ from laboratory performance.

Product specifications subject to change without notice.

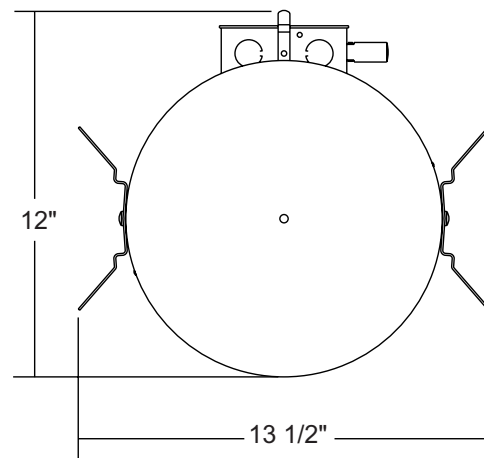
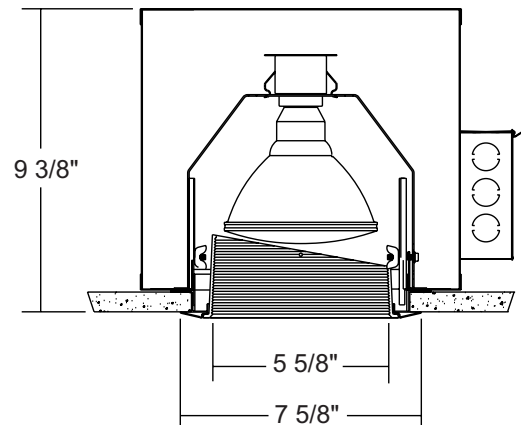
### INSTALLATION

**Mounting Bracket** Rough-in section equipped with vertically adjustable mounting brackets that accept 1/2" conduit or "C" channels (HB-26 or HB-50), linear flat bars (LB-27) or Real Nail® 3 bar hangers (HB-1).

**Junction Box** Pre-wired junction box, U.L. listed/CSA certified for through-branch wiring, maximum 8 no. 12 AWG 90°C branch circuit conductors (4 in, 4 out) • Junction box provided with removable access plates, (5) 1/2" and (1) 3/4" knockouts and ground wire.

**Housing** 20-gauge galvanized steel mounting ring  
• 22-gauge steel housing, painted black • Fully assembled for ease of installation.

### DIMENSIONS



6 7/8" CEILING CUTOUT

### PRODUCT CODES

Catalog Number	Trim	Wattage and Lamp
TC954-698B-WH	Black Baffle	150W PAR38

### ACCESSORIES

Catalog No.	Description
HB-26	Two 26" C-channel bar hangers
HB-50	Two 50" C-channel bar hangers
HB-1	Two 13 1/2" - 25" adjustable Real Nail® 3 bar hangers
LB-27	Two 27" linear bar hangers

To order, specify catalog number.

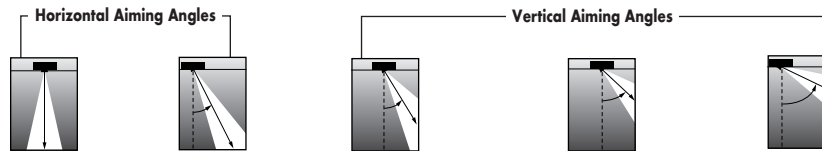
Catalog No: TC954-698B-WH  
 Luminaire: Recessed Adjustable Baffled Downlight

# 6" PAR ADJUSTABLE

## BAFFLED APERTURE

### 150W PAR38

## TC954-698B



Lamp	Beam Type	Beam Spread°	Rated Life	CBCP	0°		30°			30°				45°				60°								
					MH	FC	L	W	FC	L	W	D	FC	X	L	W	FC	X	L	W	D	FC	X	L	W	
60W PAR38 Halogen IR	SP	10°	3000	16000	6	444	1.0	1.0	289	1.4	1.2	3	222	5.2	2.0	1.0	629	3.0	1.1	0.7	8	162	4.6	1.9	1.6	
					8	250	1.4	1.4	162	1.9	1.6	4	125	6.9	2.9	1.4	354	4.0	1.4	1.0	10	104	5.8	2.3	2.0	
					10	160	1.7	1.7	104	2.3	2.0	5	80	8.7	3.6	1.7	226	5.0	1.8	1.2	12	72	6.9	2.8	2.4	
					12	111	2.1	2.1	72	2.8	2.4	6	56	10.4	4.3	2.1	157	6.0	2.1	1.5	14	53	8.1	3.3	2.8	
					14	82	2.4	2.4	53	3.3	2.8	7	41	12.1	5.0	2.4	115	7.0	2.5	1.7	16	41	9.2	3.7	3.2	
	FL	28°	3000	3600	6	100	3.0	3.0	65	4.1	3.5	3	50	5.2	7.3	3.0	141	3.0	3.2	2.1	4	146	2.3	2.7	2.3	
					8	56	4.0	4.0	37	5.4	4.6	4	28	6.9	9.8	4.0	80	4.0	4.3	2.8	6	65	3.5	4.1	3.5	
					10	36	5.0	5.0	23	6.8	5.8	5	18	8.7	12.2	5.0	51	5.0	5.3	3.5	8	37	4.6	5.4	4.6	
					12	25	6.0	6.0	16	8.1	6.9	6	13	10.4	14.7	6.0	35	6.0	6.4	4.2	10	23	5.8	6.8	5.8	
					14	18	7.0	7.0	12	9.5	8.1	7	9	12.1	17.1	7.0	26	7.0	7.4	4.9	12	16	6.9	8.1	6.9	
	FL	40°	3000	2000	6	56	4.4	4.4	36	6.1	5.0	3	28	5.2	14.5	4.4	79	3.0	5.0	3.1	4	81	2.3	4.1	3.4	
					8	31	5.8	5.8	20	8.1	6.7	4	16	6.9	19.3	5.8	44	4.0	6.7	4.1	6	36	3.5	6.1	5.0	
10					20	7.3	7.3	13	10.2	8.4	5	10	8.7	24.1	7.3	28	5.0	8.4	5.1	8	20	4.6	8.1	6.7		
12					14	8.7	8.7	9	12.2	10.1	6	7	10.4	**	8.7	20	6.0	10.1	6.2	10	13	5.8	10.2	8.4		
14					10	10.2	10.2	7	14.2	11.8	7	5	12.1	**	10.2	14	7.0	11.7	7.2	12	9	6.9	12.2	10.1		
90W PAR38 Halogen	SP	10°	2500	16000	8	250	1.4	1.4	162	1.9	1.6	3	222	5.2	2.1	1.0	629	3.0	1.1	0.7	8	162	4.6	1.9	1.6	
					12	111	2.1	2.1	72	2.8	2.4	5	80	8.7	3.6	1.7	226	5.0	1.8	1.2	10	104	5.8	2.3	2.0	
					14	82	2.4	2.4	53	3.3	2.8	7	41	12.1	5.0	2.4	115	7.0	2.5	1.7	12	72	6.9	2.8	2.4	
					16	63	2.8	2.8	41	3.7	3.2	9	25	15.6	6.4	3.1	70	9.0	3.2	2.2	14	53	8.1	3.3	2.8	
					18	49	3.1	3.1	32	4.2	3.6	11	17	19.1	7.9	3.8	47	11.0	3.9	2.7	16	41	9.2	3.7	3.2	
	FL	27°	2500	4100	6	114	2.9	2.9	74	3.9	3.3	3	57	5.2	7.0	2.9	161	3.0	3.1	2.0	4	166	2.3	2.6	2.2	
					8	64	3.8	3.8	42	5.2	4.4	4	32	6.9	9.3	3.8	91	4.0	4.1	2.7	6	74	3.5	3.9	3.3	
					10	41	4.8	4.8	27	6.5	5.5	5	21	8.7	11.6	4.8	58	5.0	5.1	3.4	8	42	4.6	5.2	4.4	
					12	28	5.8	5.8	18	7.8	6.7	6	14	10.4	13.9	5.8	40	6.0	6.1	4.1	10	27	5.8	6.5	5.5	
					14	21	6.7	6.7	14	9.1	7.8	7	10	12.1	16.2	6.7	30	7.0	7.1	4.8	12	18	6.9	7.8	6.7	
	100W PAR38 Halogen IR	SP	10°	3000	29000	8	453	1.4	1.4	294	1.9	1.6	3	403	5.2	2.1	1.0	1140	3.0	1.1	0.7	8	294	4.6	1.9	1.6
						10	290	1.7	1.7	188	2.3	2.0	5	145	8.7	3.6	1.7	410	5.0	1.8	1.2	10	188	5.8	2.3	2.0
12						201	2.1	2.1	131	2.8	2.4	7	74	12.1	5.0	2.4	209	7.0	2.5	1.7	12	131	6.9	2.8	2.4	
14						148	2.4	2.4	96	3.3	2.8	9	45	15.6	6.4	3.1	127	9.0	3.2	2.2	14	96	8.1	3.3	2.8	
16						113	2.8	2.8	74	3.7	3.2	11	30	19.1	7.9	3.8	85	11.0	3.9	2.7	16	74	9.2	3.7	3.2	
FL		27°	3000	7500	8	117	3.8	3.8	76	5.2	4.4	3	104	5.2	7.0	2.9	295	3.0	3.1	2.0	6	135	3.5	3.9	3.3	
					10	75	4.8	4.8	49	6.5	5.5	4	59	6.9	9.3	3.8	166	4.0	4.1	2.7	8	76	4.6	5.2	4.4	
					12	52	5.8	5.8	34	7.8	6.7	5	38	8.7	11.6	4.8	106	5.0	5.1	3.4	10	49	5.8	6.5	5.5	
					14	38	6.7	6.7	25	9.1	7.8	6	26	10.4	13.9	5.8	74	6.0	6.1	4.1	12	34	6.9	7.8	6.7	
					16	29	7.7	7.7	19	10.4	8.9	7	19	12.1	16.2	6.7	54	7.0	7.1	4.8	12	25	8.1	9.1	7.8	
FL		40°	3000	3400	6	94	4.4	4.4	61	6.1	5.0	3	47	5.2	14.5	4.4	134	3.0	5.0	3.1	6	61	3.5	6.1	5.0	
					8	53	5.8	5.8	35	8.1	6.7	4	27	6.9	19.3	5.8	75	4.0	6.7	4.1	8	35	4.6	8.1	6.7	
	10				34	7.3	7.3	22	10.2	8.4	5	17	8.7	24.1	7.3	48	5.0	8.4	5.1	10	22	5.8	10.2	8.4		
	12				24	8.7	8.7	15	12.2	10.1	6	12	10.4	**	8.7	33	6.0	10.1	6.2	12	15	6.9	12.2	10.1		
	14				17	10.2	10.2	11	14.2	11.8	7	9	12.1	**	10.2	25	7.0	11.7	7.2	14	11	8.1	14.2	11.8		

The beam spread in degrees and the beam "L" and "W" in the following tables are computed at 50% of centerbeam candlepower and represent areas of "effective illumination."

\*\*Due to steep aiming angle, length of beam extends beyond 25'.



1300 S. Wolf Road • Des Plaines, IL 60018 • Phone (847) 827-9880 • Fax (847) 827-2925  
 220 Chrysler Drive • Brampton, Ontario • Canada L6S 6B6 • Phone (905) 792-7335 • Fax (905) 792-0064  
 Visit us at [www.junolightinggroup.com](http://www.junolightinggroup.com)

Printed in U.S.A. ©2013 Juno Lighting, LLC.