

JUNO®

Project: _____

Fixture Type: _____

Location: _____

Contact/Phone: _____

6" PAR ADJUSTABLE BAFFLED APERTURE 75W PAR30 TC954-696B,-696W

PRODUCT SPECIFICATIONS

Lamp One 75W PAR30 lamp.

Socket Medium base porcelain with nickel-plated copper screw shell.

Adjustability 0° to 35° vertical tilt, 358° horizontal rotation with adjustment locking mechanism.

Baffle Black phenolic or white grooved, angle cut baffle.

Trim Ring White baked enamel on steel.

Labels U.L. listed for through-branch wiring, damp locations, and IP • Product thermally protected against improper use of lamps or insulation • Union made • CSA certified.

Testing All reports are based on published industry procedures; field performance may differ from laboratory performance.

Product specifications subject to change without notice.

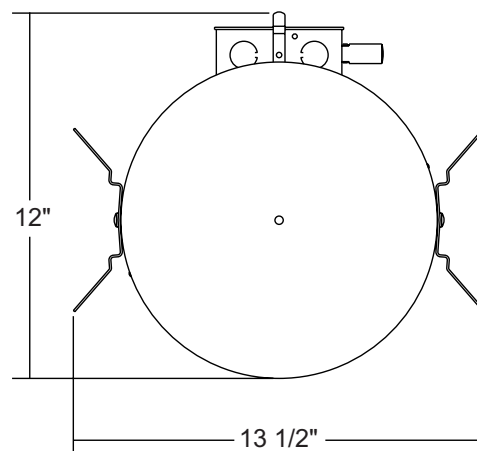
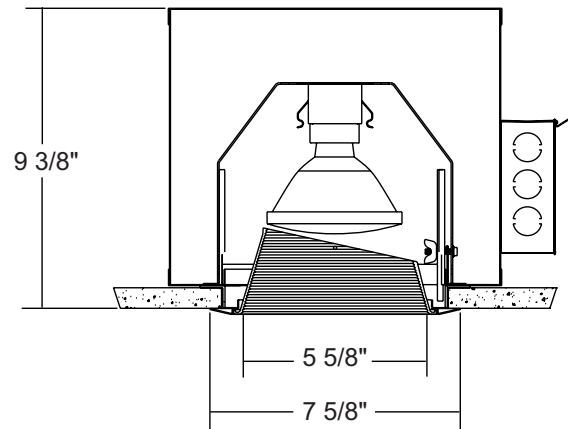
INSTALLATION

Mounting Bracket Rough-in section equipped with vertically adjustable mounting brackets that accept ½" conduit or "C" channels (HB-26 or HB-50), linear flat bars (LB-27) or Real Nail® 3 bar hangers (HB-1).

Junction Box Pre-wired junction box, U.L. listed/CSA certified for through-branch wiring, maximum 8 no. 12 AWG 90°C branch circuit conductors (4 in, 4 out) • Junction box provided with removable access plates, (4)½" and (1)¾" knockouts and ground wire.

Housing 16-gauge galvanized steel mounting ring
• 22-gauge steel housing, painted black • Fully assembled for ease of installation.

DIMENSIONS



6 7/8" CEILING CUTOUT

PRODUCT CODES

Catalog Number	Reflector Finish	Wattage and Lamp
TC954-696B-WH	Black Baffle	75W PAR30
TC954-696W-WH	White Baffle	75W PAR30

ACCESSORIES

Catalog No.	Description
HB-26	Two 26" C-channel bar hangers
HB-50	Two 50" C-channel bar hangers
HB-1	Two 13½" - 25" adjustable Real Nail® 3 bar hangers
LB-27	Two 27" linear bar hangers

To order, specify catalog number.

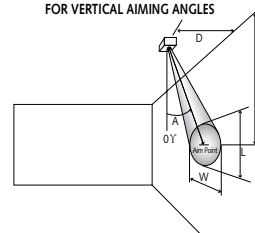
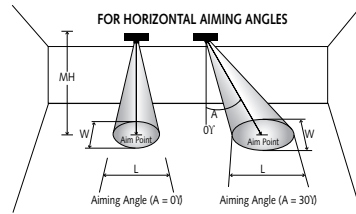
Catalog No: TC954-696B-WH
 Luminaire: Recessed Adjustable Baffled Downlight

6" PAR ADJUSTABLE

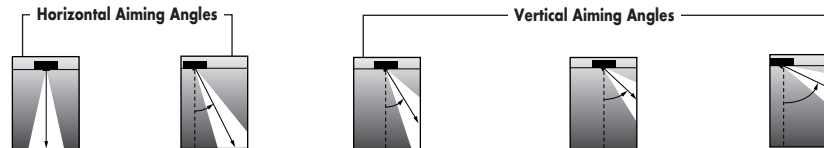
BAFFLED APERTURE

75W PAR30

TC954-696B,-696W



CBCP • Centerbeam candlepower
 FC • Footcandles at beam center (aim point)



Lamp	Beam Type	Beam Spread°	Rated Life	CBCP	0°		30°			30°				45°				60°									
					MH	FC	L	W	FC	L	W	D	FC	X	L	W	FC	X	L	W	D	FC	X	L	W		
50W PAR30 Halogen IR	SP	8°	2000	13000	4	1063	0.6	0.6	690	0.7	0.6	3	236	5.2	1.7	0.8	668	3.0	0.8	0.6	8	173	4.6	1.5	1.3		
			13000	6	472	0.8	0.8	307	1.1	1.0	4	133	6.9	2.3	1.1	376	4.0	1.1	0.8	10	110	5.7	1.9	1.6			
			13000	8	266	1.1	1.1	173	1.5	1.3	5	85	8.7	2.8	1.4	241	5.0	1.4	1.0	12	77	6.9	2.2	1.9			
			13000	10	170	1.4	1.4	110	1.9	1.6	6	59	10.4	3.4	1.7	167	6.0	1.7	1.2	14	56	8.1	2.6	2.3			
			13000	12	118	1.7	1.7	77	2.2	1.9	7	43	12.1	4.0	2.0	123	7.0	2.0	1.4	16	43	9.2	3.0	2.6			
	FL	26°	2000	3100	4	188	1.8	1.8	122	2.5	2.1	3	42	5.2	6.6	2.8	118	3.0	2.9	2.0	4	122	2.3	2.5	2.1		
			3100	6	83	2.8	2.8	54	3.8	3.2	4	23	6.9	8.8	3.7	66	4.0	3.9	2.6	6	54	3.5	3.8	3.2			
			3100	8	47	3.7	3.7	30	5.0	4.3	5	15	8.7	11.0	4.6	42	5.0	4.9	3.3	8	30	4.6	5.0	4.3			
			3100	10	30	4.6	4.6	19	6.3	5.3	6	10	10.4	13.2	5.5	29	6.0	5.8	3.9	10	19	5.8	6.3	5.3			
			3100	12	21	5.5	5.5	14	7.5	6.4	7	8	12.1	15.4	6.5	22	7.0	6.8	4.6	12	14	6.9	7.5	6.4			
			FL	37°	2000	2000	4	100	2.7	2.7	65	3.7	3.1	3	22	5.2	12.1	4.0	63	3.0	4.5	2.8	4	65	2.3	3.7	3.1
					2000	6	44	4.0	4.0	29	5.6	4.6	4	13	6.9	16.1	5.4	35	4.0	6.0	3.8	6	29	3.5	5.6	4.6	
FL	37°	2000	2000	8	25	5.4	5.4	16	7.4	6.2	5	8	8.7	20.1	6.7	23	5.0	7.5	4.7	8	16	4.6	7.4	6.2			
		2000	10	16	6.7	6.7	10	9.3	7.7	6	6	10.4	24.1	8.0	16	6.0	9.0	5.7	10	10	5.8	9.3	7.7				
		2000	12	11	8.0	8.0	7	11.1	9.3	7	4	12.1	**	9.4	12	7.0	10.5	6.6	12	7	6.9	11.1	9.3				
		75W PAR30 Halogen	SP	10°	2000	13000	6	361	0.9	0.9	235	1.3	1.1	3	181	5.2	1.9	0.9	511	3.0	0.9	0.7	8	132	4.6	1.7	1.5
					13000	8	203	1.3	1.3	132	1.7	1.5	4	102	6.9	2.6	1.3	287	4.0	1.3	0.9	10	84	5.8	2.1	1.8	
FL	27°	13000	10	130	1.6	1.6	84	2.1	1.8	5	65	8.7	3.2	1.6	184	5.0	1.6	1.1	12	59	6.9	2.5	2.2				
		13000	12	90	1.9	1.9	59	2.5	2.2	6	45	10.4	3.8	1.9	128	6.0	1.9	1.3	14	43	8.1	2.9	2.5				
		13000	14	66	2.2	2.2	43	2.9	2.5	7	33	12.1	4.5	2.2	94	7.0	2.2	1.6	16	33	9.2	3.4	2.9				
		3100	6	86	2.9	2.9	56	3.9	3.3	3	43	5.2	7.0	2.9	122	3.0	3.1	2.0	4	126	2.3	2.6	2.2				
		3100	8	48	3.8	3.8	31	5.2	4.4	4	24	6.9	9.3	3.8	69	4.0	4.1	2.7	6	56	3.5	3.9	3.3				
		3100	10	31	4.8	4.8	20	6.5	5.5	5	16	8.7	11.6	4.8	44	5.0	5.1	3.4	8	31	4.6	5.2	4.4				
		3100	12	22	5.8	5.8	14	7.8	6.7	6	11	10.4	13.9	5.8	30	6.0	6.1	4.1	10	20	5.8	6.5	5.5				
3100	14	16	6.7	6.7	10	9.1	7.8	7	8	12.1	16.2	6.7	22	7.0	7.1	4.8	12	14	6.9	7.8	6.7						
FL	40°	2000	2000	6	56	4.0	4.0	36	5.6	4.6	3	28	5.2	12.1	4.0	79	3.0	4.5	2.8	4	81	2.3	3.7	3.1			
		2000	8	31	5.4	5.4	20	7.4	6.2	4	16	6.9	16.1	5.4	44	4.0	6.0	3.8	6	36	3.5	5.6	4.6				
		2000	10	20	6.7	6.7	13	9.3	7.7	5	10	8.7	20.1	6.7	28	5.0	7.5	4.7	8	20	4.6	7.4	6.2				
		2000	12	14	8.0	8.0	9	11.1	9.3	6	7	10.4	24.1	8.0	20	6.0	9.0	5.7	10	13	5.8	9.3	7.7				
		2000	14	10	9.4	9.4	7	13.0	10.8	7	5	12.1	**	9.4	14	7.0	10.5	6.6	12	9	6.9	11.1	9.3				

The beam spread in degrees and the beam "L" and "W" in the following tables are computed at 50% of centerbeam candlepower and represent areas of "effective illumination."

**Due to steep aiming angle, length of beam extends beyond 25'.



1300 S. Wolf Road • Des Plaines, IL 60018 • Phone (847) 827-9880 • Fax (847) 827-2925
 220 Chrysler Drive • Brampton, Ontario • Canada L6S 6B6 • Phone (905) 792-7335 • Fax (905) 792-0064
 Visit us at www.junolightinggroup.com

Printed in U.S.A. ©2013 Juno Lighting, LLC.