



Project: \_\_\_\_\_

Fixture Type: \_\_\_\_\_

Location: \_\_\_\_\_

Contact/Phone: \_\_\_\_\_

## 6" PAR DOWNLIGHT

OPEN APERTURE

250W PAR38 or 120W BR40

**TC920-626C, -626B, -626HZ**

### PRODUCT SPECIFICATIONS

**Lamp** One 250W PAR38 or 120W BR40 lamp (black reflector rated for 150W PAR38 or 120W BR40 maximum).

**Socket** Medium base porcelain with nickel-plated copper screw shell • Adjustable for proper lamp positioning.

**Reflector** .050" aluminum reflector with clear, haze or black Alzak® finish.

**Trim Ring** White baked enamel on steel.

**Labels** U.L. listed for through-branch wiring, damp locations, and IP • Product thermally protected against improper use of lamps or insulation • Union made • CSA certified.

**Testing** All reports are based on published industry procedures; field performance may differ from laboratory performance.

Product specifications subject to change without notice.

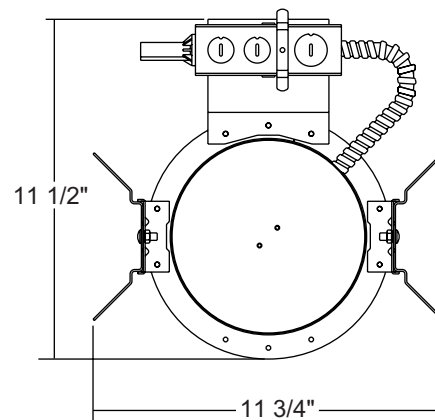
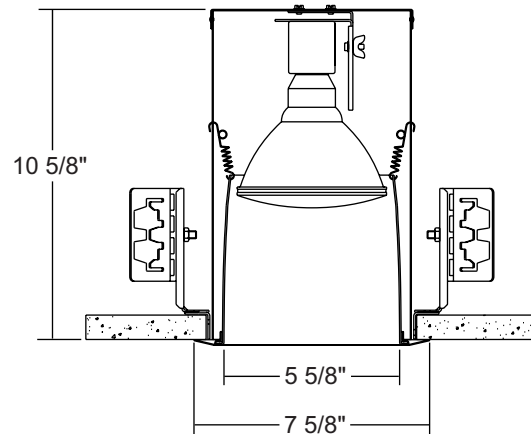
### INSTALLATION

**Mounting Bracket** Rough-in section equipped with vertically adjustable mounting brackets that accept ½" conduit or "C" channels (HB-26 or HB-50), linear flat bars (LB-27) or Real Nail® 3 bar hangers (HB-1).

**Junction Box** Pre-wired junction box, U.L. listed/CSA certified for through-branch wiring, maximum 8 No. 12 AWG 90° C branch circuit conductors (4 in, 4 out) • Junction box provided with removable access plates, (4) ½" and (1) ¾" knockouts and ground wire • Knockouts equipped with pryout slots.

**Housing** 16-gauge galvanized steel mounting ring • 22-gauge steel housing, painted black • Fully assembled for ease of installation.

### DIMENSIONS



6 7/8" CEILING CUTOUT

### PRODUCT CODES

Catalog Number	Reflector Finish	Wattage and Lamp
TC920-626C-WH	Clear Alzak	250W PAR38 or 120W BR40
TC920-626HZ-WH	Haze	250W PAR38 or 120W BR40
TC920-626B-WH	Black Alzak	150W PAR38 or 120W BR40

### ACCESSORIES

Catalog No.	Description
HB-26	Two 26" C-channel bar hangers
HB-50	Two 50" C-channel bar hangers
HB-1	Two 13 1/2" - 25" adjustable Real Nail® 3 bar hangers
LB-27	Two 27" linear bar hangers

To order, specify catalog number.

**Test Report #:** FB96104  
**Catalog No:** TC920-626C-WH  
**Total Luminaire Efficiency:** 91.6%  
**Luminaire Spacing Criterion:** 0.7  
**Luminaire:** Recessed Clear Alzak Reflector Downlight  
**Lamp:** One 100W PAR38/HIR/FL40 lamp rated @ 2000 lumens

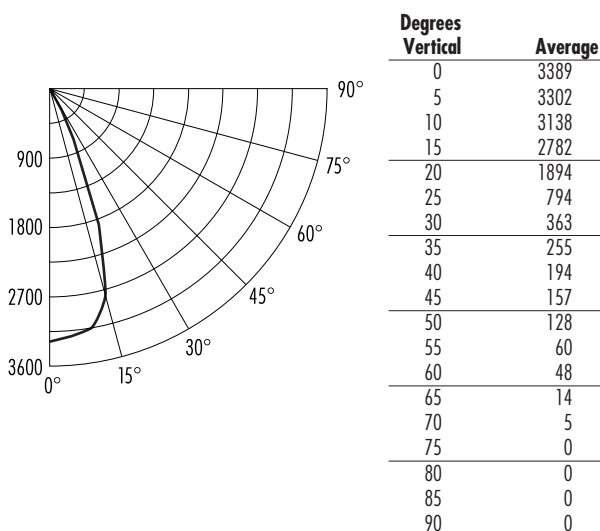
# 6" PAR DOWNLIGHT

OPEN APERTURE

250W PAR38 or 120W BR40

**TC920-626C, -626B, -626HZ**

## CANDLEPOWER DISTRIBUTION (Candelas)



Multiplier: 150W PAR38 - 1.37; Gold - 0.9; Black - 0.7

## ZONAL LUMEN SUMMARY

Zone	Lumens	%Lamp	%Fixture
0 - 30°	1458	72.9	79.6
0 - 40°	1623	81.2	88.6
0 - 60°	1811	90.6	98.9
0 - 90°	1832	91.6	100.0
90 - 180°	0	—	—
0 - 180°	1832	91.6	100.0

## COEFFICIENTS OF UTILIZATION- % (Zonal Cavity Method) Effective Floor Cavity Reflectance 20% ( $\rho_{fc}$ )

RCR	$\rho_{cc}$ $\rho_w$	80			70			50			30			10			0
		50	30	10	50	30	10	50	30	10	50	30	10	50	30	10	0
0		108	108	108	106	106	106	101	101	101	97	97	97	93	93	93	91
1		101	99	97	99	98	96	96	94	93	92	91	90	89	88	88	86
2		95	92	89	94	91	88	91	88	86	88	86	84	86	84	82	81
3		89	85	82	88	84	81	86	83	80	84	81	79	82	80	78	76
4		84	80	76	83	79	76	82	78	75	80	77	74	78	76	73	72
5		80	75	72	79	75	71	78	74	71	76	73	70	75	72	70	68
6		76	71	68	75	71	67	74	70	67	73	69	66	72	68	66	65
7		72	67	64	72	67	64	71	66	63	70	66	63	69	65	63	62
8		69	64	61	68	64	61	68	63	60	67	63	60	66	62	60	59
9		66	61	58	66	61	58	65	61	58	65	60	58	63	60	57	56
10		63	59	55	63	58	55	62	58	55	61	58	55	61	57	55	54

$\rho_{cc}$  – Ceiling Cavity Reflectance (%)  $\rho_w$  – Wall Reflectance (%)

## INITIAL FOOTCANDLES

One Unit, 100W PAR38, 41.8° Beam

Footcandles Beam Edge	Footcandles Beam Center	Beam Diameter	Distance to Illuminated Work Plane (Feet)
38.4	94.1	4.6'	6
21.6	53.0	6.1'	8
13.8	33.9	7.6'	10
9.6	23.5	9.2'	12
7.0	17.3	10.7'	14
5.4	13.2	12.2'	16
4.3	10.5	13.8'	18

(Beam Edge defined as 8.5% of Maximum Nadir Candlepower)

## AVERAGE INITIAL FOOTCANDLES

Multiple Units (Square Array)

Ceiling 80% Wall 50% Floor 20%

Spacing	RCR1	RCR4	RCR8
5.0'	81	67	55
6.0'	56	47	38
7.0'	41	34	28
8.0'	32	26	22
9.0'	25	21	17
10.0'	20	17	14
12.0'	14	12	10



1300 S. Wolf Road • Des Plaines, IL 60018 • Phone (847) 827-9880 • Fax (847) 827-2925  
 220 Chrysler Drive • Brampton, Ontario • Canada L6S 6B6 • Phone (905) 792-7335 • Fax (905) 792-0064  
 Visit us at [www.junolightinggroup.com](http://www.junolightinggroup.com)

Printed in U.S.A. ©2013 Juno Lighting, LLC.