

Juno®

6" PAR/BR DOWNLIGHT

OPEN APERTURE

75W PAR30 or 85W BR30

TC920-657C, -657B, -657HZ

Project: _____

Fixture Type: _____

Location: _____

Contact/Phone: _____

PRODUCT SPECIFICATIONS

Lamp One 75W PAR30 or 65W BR30 lamp.

Socket Medium base porcelain with nickel-plated copper screw shell • Adjustable for proper lamp positioning.

Reflector .050" aluminum reflector with clear, haze or black Alzak® finish.

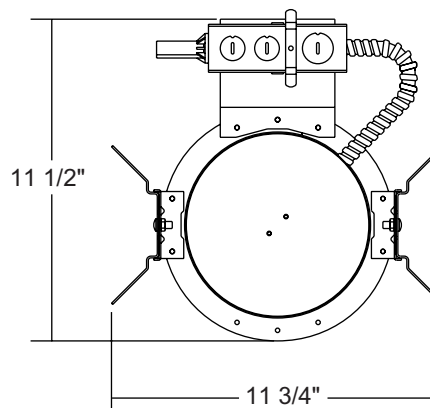
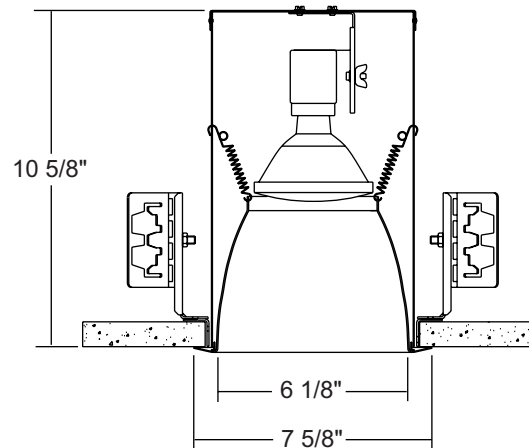
Trim Ring White baked enamel on steel.

Labels U.L. listed for through-branch wiring, damp locations, and IP • Product thermally protected against improper use of lamps or insulation • Union made • CSA certified.

Testing All reports are based on published industry procedures; field performance may differ from laboratory performance.

Product specifications subject to change without notice.

DIMENSIONS



6 7/8" CEILING CUTOUT

INSTALLATION

Mounting Bracket Rough-in section equipped with vertically adjustable mounting brackets that accept 1/2" conduit or "C" channels (HB-26 or HB-50), linear flat bars (LB-27) or Real Nail® 3 bar hangers (HB-1).

Junction Box Pre-wired junction box, U.L. listed/CSA certified for through-branch wiring, maximum 8 No. 12 AWG 90° C branch circuit conductors (4 in, 4 out) • Junction box provided with removable access plates, (4) 1/2" and (1) 3/4" knockouts and ground wire • Knockouts equipped with pryout slots.

Housing 16-gauge galvanized steel mounting ring • 22-gauge steel housing, painted black • Fully assembled for ease of installation.

PRODUCT CODES

Catalog Number	Reflector Finish	Wattage and Lamp
TC920-657C-WH	Clear Alzak	75W PAR30 or 85W BR30
TC920-657HZ-WH	Haze	75W PAR30 or 85W BR30
TC920-657B-WH	Black Alzak	75W PAR30 or 85W BR30

ACCESSORIES

Catalog No.	Description
HB-26	Two 26" C-channel bar hangers
HB-50	Two 50" C-channel bar hangers
HB-1	Two 13 1/2" - 25" adjustable Real Nail® 3 bar hangers
LB-27	Two 27" linear bar hangers

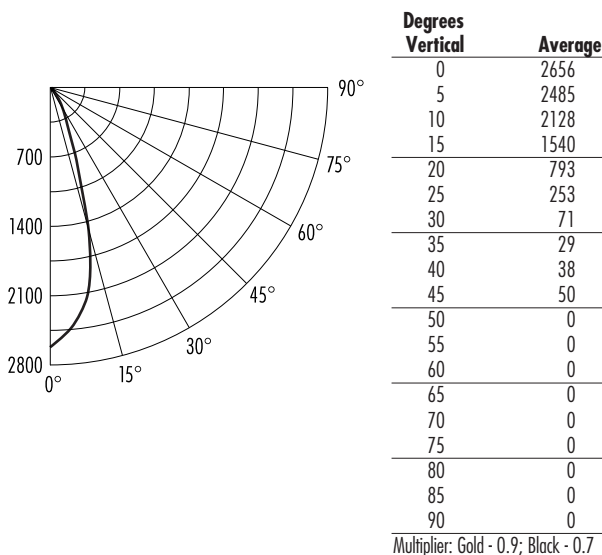
To order, specify catalog number.

Test Report #: FB95040
Catalog No: TC920-657C-WH
Total Luminaire Efficiency: 74.9%
Luminaire Spacing Criterion: 0.5
Luminaire: Recessed Clear Alzak Reflector Downlight
Lamp: One 75W PAR30 FL lamp rated @ 1030 lumens

6" PAR/BR DOWNLIGHT

OPEN APERTURE
 75W PAR30 or 85W BR30
TC920-657C, -657B, -657HZ

CANDLEPOWER DISTRIBUTION (Candelas)



ZONAL LUMEN SUMMARY

Zone	Lumens	%Lamp	%Fixture
0-30°	772	70.2	93.7
0-40°	798	72.5	96.8
0-60°	824	74.9	100.0
0-90°	824	74.9	100.0
90-180°	0	—	—
0-180°	824	74.9	100.0

COEFFICIENTS OF UTILIZATION- % (Zonal Cavity Method) Effective Floor Cavity Reflectance 20% (ρfc)

RCR	ρcc ρw	80			70			50			30			10			0
		50	30	10	50	30	10	50	30	10	50	30	10	50	30	10	0
0		92	92	92	90	90	90	86	86	86	82	82	82	79	79	79	77
1		87	85	84	85	84	83	82	81	80	79	78	78	77	76	75	74
2		82	80	78	81	79	77	79	77	76	77	75	74	75	73	72	71
3		79	76	73	78	75	73	76	74	72	74	72	71	72	71	70	69
4		75	72	70	75	72	69	73	71	69	72	69	68	70	69	67	66
5		72	69	67	72	69	66	70	68	66	69	67	65	68	66	65	64
6		70	66	64	69	66	64	68	65	63	67	65	63	66	64	62	62
7		67	64	61	67	63	61	66	63	61	65	63	61	64	62	60	60
8		65	61	59	64	61	59	64	61	59	63	61	59	62	60	58	58
9		63	59	57	62	59	57	62	59	57	61	59	57	61	58	57	56
10		61	68	55	61	57	55	60	57	55	59	57	55	59	57	55	54

ρcc – Ceiling Cavity Reflectance (%) ρw – Wall Reflectance (%)

INITIAL FOOTCANDLES

One Unit, 75W PAR30, 43° Beam

Footcandles Beam Edge	Footcandles Beam Center	Beam Diameter	Distance to Illuminated Work Plane (Feet)
32.6	73.8	4'	6
18.3	41.5	5'	8
11.7	26.6	6'	10
8.1	18.4	7'	12
6.0	13.6	8'	14
4.6	10.4	9'	16
3.6	8.2	11'	18

(Beam Edge defined as 50% of Maximum Nadir Candlepower)

AVERAGE INITIAL FOOTCANDLES

Multiple Units (Square Array)

Ceiling 80% Wall 50% Floor 20%

Spacing	RCR1	RCR4	RCR8
5.0'	38	33	29
6.0'	27	23	20
7.0'	20	17	15
8.0'	15	13	11
9.0'	12	10	9
10.0'	10	8	7
12.0'	7	6	5



1300 S. Wolf Road • Des Plaines, IL 60018 • Phone (847) 827-9880 • Fax (847) 827-2925
 220 Chrysler Drive • Brampton, Ontario • Canada L6S 6B6 • Phone (905) 792-7335 • Fax (905) 792-0064
 Visit us at www.junolightinggroup.com