

JUNO®

Project: _____

Fixture Type: _____

Location: _____

Contact/Phone: _____

6" PAR/BR DOWNLIGHT

DEEP BAFFLED APERTURE

150W PAR38 or 120W BR40

TC920-625B, -625W

PRODUCT SPECIFICATIONS

Lamp One 150W PAR38 or 120W BR40 lamp.

Socket Medium base porcelain with nickel-plated copper screw shell • Adjustable for proper lamp positioning.

Baffle Deep black phenolic or white grooved baffle.

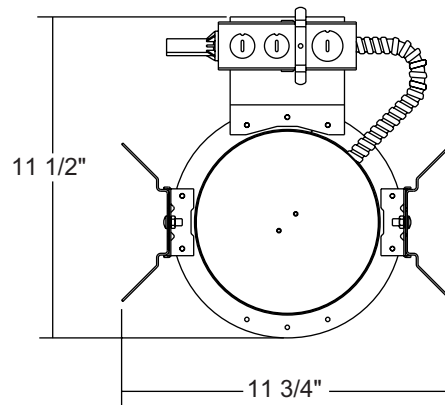
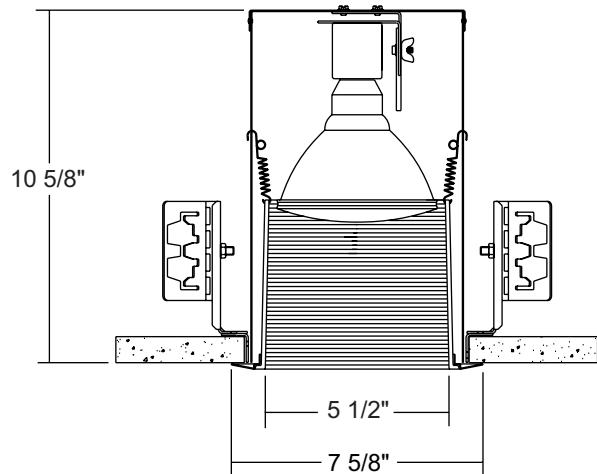
Trim Ring White baked enamel on steel.

Labels U.L. listed for through-branch wiring, damp locations, and IP • Product thermally protected against improper use of lamps or insulation • Union made • CSA certified.

Testing All reports are based on published industry procedures; field performance may differ from laboratory performance.

Product specifications subject to change without notice.

DIMENSIONS



6 7/8" CEILING CUTOUT

INSTALLATION

Mounting Bracket Rough-in section equipped with vertically adjustable mounting brackets that accept 1/2" conduit or "C" channels (HB-26 or HB-50), linear flat bars (LB-27) or Real Nail® 3 bar hangers (HB-1).

Junction Box Pre-wired junction box, U.L. listed/CSA certified for through-branch wiring, maximum 8 no. 12 AWG 90°C branch circuit conductors (4 in, 4 out) • Junction box provided with removable access plates, (4) 1/2" and (1) 3/4" knockouts and ground wire • Knockouts equipped with pryout slots.

Housing 16-gauge galvanized steel mounting ring • 22-gauge steel housing, painted black • Fully assembled for ease of installation.

PRODUCT CODES

Catalog Number	Trim	Wattage and Lamp
TC920-625B-WH	Black Baffle	150W PAR38 or 120W BR40
TC920-625W-WH	White Baffle	150W PAR38 or 120W BR40

ACCESSORIES

Catalog No.	Description
HB-26	Two 26" C-channel bar hangers
HB-50	Two 50" C-channel bar hangers
HB-1	Two 13 1/2" - 25" adjustable Real Nail® 3 bar hangers
LB-27	Two 27" linear bar hangers

To order, specify catalog number.

Test Report #: FB96105
Catalog No: TC920-625B-WH
Total Luminaire Efficiency: 63.6%
Luminaire Spacing Criterion: 0.6
Luminaire: Recessed Baffled Aperture Downlight
Lamp: One 100W PAR38/HR/FL40 lamp rated @ 2000 lumens

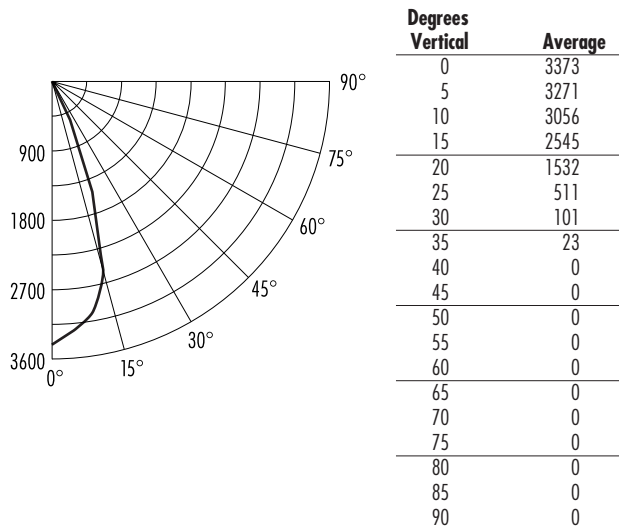
6" PAR/BR DOWNLIGHT

DEEP BAFFLED APERTURE

150W PAR38 or 120W BR40

TC920-625B, -625W

CANDLEPOWER DISTRIBUTION (Candelas)



Multiplier: 150W PAR38 - 1.37; White - 1.05

ZONAL LUMEN SUMMARY

Zone	Lumens	%Lamp	%Fixture
0-30°	1247	62.4	98.1
0-40°	1270	63.5	99.9
0-60°	1272	63.6	100.0
0-90°	1272	63.6	100.0
90-180°	0	—	—
0-180°	1272	63.6	100.0

COEFFICIENTS OF UTILIZATION- % (Zonal Cavity Method) Effective Floor Cavity Reflectance 20% (ρ_{fc})

RCR	ρ_{cc} ρ_w	80			70			50			30			10			0
		50	30	10	50	30	10	50	30	10	50	30	10	50	30	10	0
0		77	77	77	75	75	75	71	71	71	68	68	68	66	66	66	64
1		73	71	70	71	70	69	69	68	67	66	66	65	64	64	63	62
2		69	67	65	68	66	65	66	65	63	64	63	62	62	61	61	60
3		66	64	62	65	63	61	64	62	60	62	61	59	61	59	58	58
4		63	61	59	63	60	58	61	59	58	60	58	57	59	58	56	56
5		61	58	56	60	58	56	59	57	55	58	56	55	57	56	54	54
6		59	56	54	58	55	54	57	55	53	56	54	53	56	54	53	52
7		56	54	52	56	53	52	55	53	51	55	53	51	54	52	51	50
8		55	52	50	54	52	50	54	51	50	53	51	49	53	51	49	49
9		53	50	48	52	50	48	52	50	48	51	49	48	51	49	48	47
10		51	48	47	51	48	47	50	48	46	50	48	46	50	48	46	46

ρ_{cc} – Ceiling Cavity Reflectance (%) ρ_w – Wall Reflectance (%)

INITIAL FOOTCANDLES

One Unit, 100W PAR38, 38.5° Beam

Footcandles Beam Edge	Footcandles Beam Center	Beam Diameter	Distance to Illuminated Work Plane (Feet)
39.4	93.7	4.2'	6
22.2	52.7	5.6'	8
14.2	33.7	7.0'	10
9.9	23.4	8.4'	12
7.2	17.2	9.8'	14
5.5	13.2	11.2'	16
4.4	10.4	12.6'	18

(Beam Edge defined as 50% of Maximum Nadir Candlepower)

AVERAGE INITIAL FOOTCANDLES

Multiple Units (Square Array)

Ceiling 80% Wall 50% Floor 20%

Spacing	RCR1	RCR4	RCR8
5.0'	58	50	44
6.0'	41	35	31
7.0'	30	26	22
8.0'	23	20	17
9.0'	18	16	14
10.0'	15	13	11
12.0'	10	9	8

