



6" A-LAMP DOWNLIGHT

OPEN APERTURE

100W A19 or 150W A21

TC906-643C, -643HZ

Project: _____

Fixture Type: _____

Location: _____

Contact/Phone: _____

PRODUCT SPECIFICATIONS

Lamp One 100W A19 or 150W A21 lamp.

Socket Housing Medium base porcelain with nickel-plated copper screw shell • Extruded aluminum socket housing with heat dissipating fins • Adjustable for proper positioning of A19 or A21 Lamps.

Reflector .050" aluminum ellipsoidal reflector with clear, gold or haze finish • Fixture has 50° visual cutoff to lamp and lamp image.

Trim Ring White baked enamel on steel.

Labels U.L. listed for through-branch wiring, damp locations, and IP • Product thermally protected against improper use of lamps or insulation • Union made • CSA certified.

Testing All reports are based on published industry procedures; field performance may differ from laboratory performance.

Product specifications subject to change without notice.

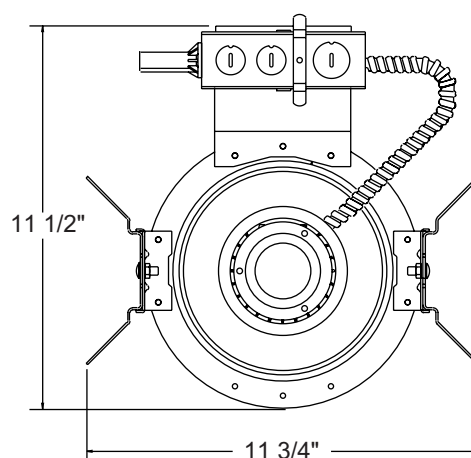
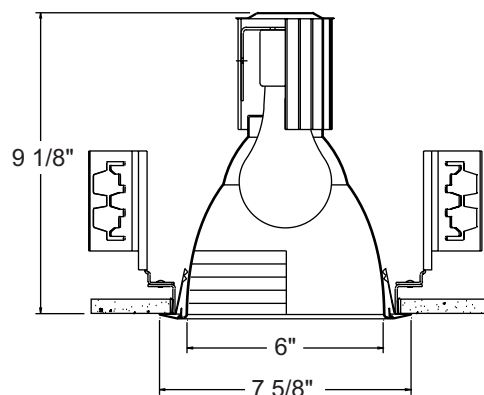
INSTALLATION

Mounting Bracket Rough-in section equipped with vertically adjustable mounting brackets that accept ½" conduit or "C" channels (HB-26 or HB-50), linear flat bars (LB-27) or Real Nail® 3 bar hangers (HB-1).

Junction Box Pre-wired junction box, U.L. listed/CSA certified for through-branch wiring, maximum 8 No. 12 AWG 90° C branch circuit conductors (4 in, 4 out) • Junction box provided with removable access plates, (4) ½" and (1) ¾" knockouts and ground wire • Knockouts equipped with pryout slots.

Mounting Frame 16-gauge galvanized steel mounting ring • Rough-in section (junction box, mounting frame and socket housing) fully assembled for ease of installation.

DIMENSIONS



6 7/8" CEILING CUTOUT

PRODUCT CODES

Catalog Number	Reflector Finish	Wattage and Lamp
TC906-643C-WH	Clear Alzak	100W A19/150W A21
TC906-643HZ-WH	Haze	100W A19/150W A21

ACCESSORIES

Catalog No.	Description
HB-26	Two 26" C-channel bar hangers
HB-50	Two 50" C-channel bar hangers
HB-1	Two 13½" · 25" adjustable Real Nail® 3 bar hangers
LB-27	Two 27" linear bar hangers

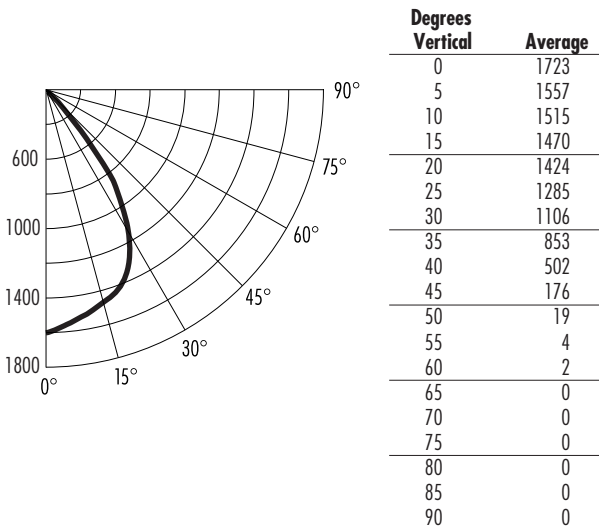
To order, specify catalog number.

Test Report #: PT04011601
Catalog No: TC906-643C-WH
Total Luminaire Efficiency: 64.4%
Luminaire Spacing Criterion: 1.02
Luminaire: 6" Recessed A-Lamp Downlight, Open Aperture
Lamp: One 150W A21 IF lamp rated @ 2850 lumens

6" A-LAMP DOWNLIGHT

OPEN APERTURE
 100W A19 or 150W A21
TC906-643C, -643G, -643HZ

CANDLEPOWER DISTRIBUTION (Candelas)



*Multipliers: 100W A19 - 0.65, Gold - 0.9, Haze - 0.95

LUMINANCE (Average cd/m²)

Degrees	Average Luminance
45	14199
55	436
65	0
75	0
85	0

ZONAL LUMEN SUMMARY

Zone	Lumens	%Lamp	%Fixture
0-30°	1154	40.5	62.9
0-40°	1676	58.8	91.4
0-60°	1834	64.4	100.0
0-90°	1835	64.4	100.0
90-180°	0	—	—
0-180°	1835	64.4	100.0

COEFFICIENTS OF UTILIZATION- % (Zonal Cavity Method) Effective Floor Cavity Reflectance 20% (ρ_{fc})

RCR	ρ_{cc} ρ_w	80			70			50			30			10			0
		50	30	10	50	30	10	50	30	10	50	30	10	50	30	10	0
0		77	77	77	75	75	75	72	72	72	68	68	68	66	66	66	64
1		71	69	68	70	68	67	67	66	65	65	64	63	62	62	61	60
2		66	63	61	65	62	60	63	61	59	61	59	58	59	58	56	55
3		61	58	55	60	57	55	59	56	54	57	55	53	55	54	52	51
4		57	53	50	56	53	50	55	52	49	53	51	49	52	50	48	47
5		53	49	46	52	49	46	51	48	45	50	47	45	49	47	45	44
6		49	45	42	49	45	42	48	44	42	47	44	42	46	43	41	40
7		46	42	39	46	42	39	45	41	39	44	41	39	43	40	38	37
8		43	39	36	43	39	36	42	38	36	41	38	36	41	38	36	35
9		40	36	34	40	36	34	39	36	33	39	36	33	38	35	33	32
10		38	34	31	38	34	31	37	34	31	37	33	31	36	33	31	30

ρ_{cc} – Ceiling Cavity Reflectance (%) ρ_w – Wall Reflectance (%)

INITIAL FOOTCANDLES

One Unit, 150W A21, 69.7° Beam

Footcandles Beam Edge	Footcandles Beam Center	Beam Diameter	Distance to Illuminated Work Plane (Feet)
13.2	47.9	8.4'	6
7.4	26.9	11.1'	8
4.8	17.2	13.9'	10
3.3	12.0	16.7'	12
2.4	8.8	19.5'	14
1.9	6.7	22.3'	16
1.5	5.3	25.1'	18

(Beam Edge defined as 50% of Maximum Nadir Candlepower)

AVERAGE INITIAL FOOTCANDLES

Multiple Units (Square Array, 60' x 60' Room)

Ceiling 80% Wall 50% Floor 20%

Spacing	RCR1	RCR3	RCR5
4.0'	126	109	94
5.0'	81	70	60
6.0'	56	48	42
7.0'	46	39	34
8.0'	36	31	27
10.0'	20	17	15
12.0'	14	12	10

*Note: Multipliers are provided for estimating purposes only. Use IES photometric files for precise photometric information.



1300 S. Wolf Road • Des Plaines, IL 60018 • Phone (847) 827-9880 • Fax (847) 827-2925
 220 Chrysler Drive • Brampton, Ontario • Canada L6S 6B6 • Phone (905) 792-7335 • Fax (905) 792-0064
 Visit us at www.junolightinggroup.com