



# 6" A-LAMP DOWNLIGHT

BAFFLED APERTURE

100W A19 or 150W A21

**TC906-633B, -633W**

Project: \_\_\_\_\_

Fixture Type: \_\_\_\_\_

Location: \_\_\_\_\_

Contact/Phone: \_\_\_\_\_

## PRODUCT SPECIFICATIONS

**Lamp** One 100W A19 or 150W A21 lamp.

**Socket Housing** Medium base porcelain with nickel-plated copper screw shell • Extruded aluminum socket housing with heat dissipating fins • Adjustable for proper positioning of A19 or A21 Lamps.

**Reflector** .050" aluminum reflector with clear Alzak®.

**Baffle** Integral black or white grooved baffle.

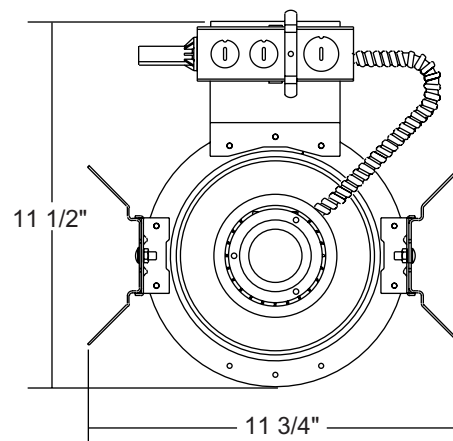
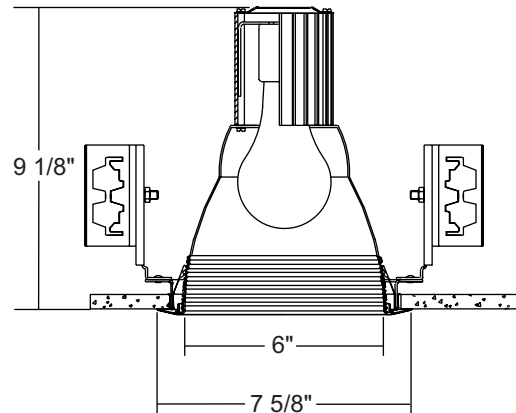
**Trim Ring** White baked enamel on steel.

**Labels** U.L. listed for through-branch wiring, damp locations, and IP • Product thermally protected against improper use of lamps or insulation • Union made • CSA certified.

**Testing** All reports are based on published industry procedures; field performance may differ from laboratory performance.

Product specifications subject to change without notice.

## DIMENSIONS



6 7/8" CEILING CUTOUT

## INSTALLATION

**Mounting Bracket** Rough-in section equipped with vertically adjustable mounting brackets that accept 1/2" conduit or "C" channels (HB-26 or HB-50), linear flat bars (LB-27) or Real Nail® 3 bar hangers (HB-1).

**Junction Box** Pre-wired junction box, U.L. listed/CSA certified for through-branch wiring, maximum 8 no. 12 AWG 90°C branch circuit conductors (4 in, 4 out) • Junction box provided with removable access plates, (4) 1/2" and (1) 3/4" knockouts and ground wire • Knockouts equipped with pryout slots.

**Mounting Frame** 16-gauge galvanized steel mounting ring • Rough-in section (junction box, mounting frame and socket housing) fully assembled for ease of installation.

## PRODUCT CODES

Catalog Number	Trim	Wattage and Lamp
TC906-633B-WH	Black Baffle/Clear Alzak	100W A19/150W A21
TC906-633W-WH	White Baffle/Clear Alzak	100W A19/150W A21

## ACCESSORIES

Catalog No.	Description
HB-26	Two 26" C-channel bar hangers
HB-50	Two 50" C-channel bar hangers
HB-1	Two 13 1/2" - 25" adjustable Real Nail® 3 bar hangers
LB-27	Two 27" linear bar hangers

To order, specify catalog number.

**Test Report #:** PT01001001  
**Catalog No:** TC906-633B-WH  
**Total Luminaire Efficiency:** 48.5%  
**Luminaire Spacing Criterion:** 1.06  
**Luminaire:** Recessed Baffled Aperture Downlight  
**Lamp:** One 150W A21 IF lamp rated @ 2850 lumens

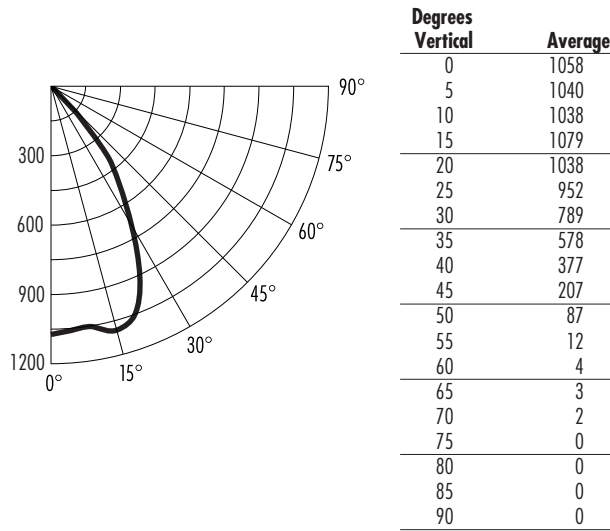
# 6" A-LAMP DOWNLIGHT

## BAFFLED APERTURE

### 100W A19 or 150W A21

## TC906-633B, -633W

### CANDLEPOWER DISTRIBUTION (Candelas)



\*Multipliers: 100W A19 - 0.6; White Baffle - 1.10

### LUMINANCE (Average cd/m<sup>2</sup>)

Degrees	Average Luminance
45	16060
55	1176
65	374
75	0
85	0

### ZONAL LUMEN SUMMARY

Zone	Lumens	%Lamp	%Fixture
0-30°	835	29.3	60.4
0-40°	1196	41.9	86.4
0-60°	1380	48.4	99.8
0-90°	1383	48.5	100.0
90-180°	0	—	—
0-180°	1383	48.5	100.0

### COEFFICIENTS OF UTILIZATION- % (Zonal Cavity Method) Effective Floor Cavity Reflectance 20% (ρ<sub>fc</sub>)

RCR	ρ <sub>cc</sub> ρ <sub>w</sub>	80		70			50			30			10			0	
		50	30	10	50	30	10	50	30	10	50	30	10	50	30	10	0
0		58	58	58	56	56	56	54	54	54	52	52	52	50	50	5	49
1		53	52	51	52	51	50	50	50	49	49	48	47	47	46	46	45
2		49	47	46	49	47	45	47	45	44	45	44	43	44	43	42	41
3		46	43	41	45	43	41	44	42	40	42	41	39	41	40	39	38
4		42	39	37	42	39	37	41	38	36	40	38	36	39	37	36	35
5		39	36	34	39	36	34	38	35	33	37	35	33	36	34	33	32
6		36	33	31	36	33	31	35	33	31	35	32	30	34	32	30	30
7		34	31	29	34	31	28	33	30	28	32	30	28	32	30	28	27
8		32	29	26	31	28	26	31	28	26	30	28	26	30	28	26	25
9		30	27	24	29	26	24	29	26	24	28	26	24	28	26	24	23
10		28	25	23	28	25	23	27	24	23	27	24	23	26	24	22	22

ρ<sub>cc</sub> – Ceiling Cavity Reflectance (%) ρ<sub>w</sub> – Wall Reflectance (%)

### INITIAL FOOTCANDLES

One Unit, 150W A21, 72° Beam

Footcandles Beam Edge	Footcandles Beam Center	Beam Diameter	Distance to Illuminated Work Plane (Feet)
8.0	29.4	8.7'	6
4.5	16.5	11.6'	8
2.9	10.6	14.5'	10
2.0	7.3	17.4'	12
1.5	5.4	20.3'	14
1.1	4.1	23.2'	16
0.9	3.3	26.1'	18

(Beam Edge defined as 50% of Maximum Nadir Candlepower)

### AVERAGE INITIAL FOOTCANDLES

Multiple Units (Square Array, 60' x 60' Room)

Ceiling 80% Wall 50% Floor 20%

Spacing	RCR1	RCR3	RCR5
4.0'	94	82	69
5.0'	60	52	44
6.0'	42	36	31
7.0'	34	29	25
8.0'	27	23	20
9.0'	21	18	15
10.0'	15	13	11

\*Note: Multipliers are provided for estimating purposes only. Use IES photometric files for precise photometric information.



1300 S. Wolf Road • Des Plaines, IL 60018 • Phone (847) 827-9880 • Fax (847) 827-2925  
 220 Chrysler Drive • Brampton, Ontario • Canada L6S 6B6 • Phone (905) 792-7335 • Fax (905) 792-0064  
 Visit us at [www.junolightinggroup.com](http://www.junolightinggroup.com)