



ACULUX® RECESSED WALL WASH

6" OPEN APERTURE

TC Rated, 100W A19 or 150W A21

TC906-662, -663, -664 SERIES

Project: _____

Fixture Type: _____

Location: _____

Contact/Phone: _____

PRODUCT DESCRIPTION

Recessed A-lamp downlight with 6" deep Alzak® cone aperture. Fixture has 50° visual cutoff to lamp and lamp image. TC housing designed for use in non-insulated areas, or where insulation is spaced at least 3" from housing. Supplied with vertically adjustable mounting brackets that accept 1/2" conduit, "C" channel bar hangers, linear bar hangers or telescoping Real Nail bar hangers.

PRODUCT SPECIFICATIONS

Lamp One 100W A19 or 150W A21 lamp.

Socket Housing Medium base porcelain socket with nickel plated copper screw shell • Extruded aluminum socket housing with heat dissipating fins • Adjustable for proper positioning of A19 or A21 lamps.

Trim Ring White baked enamel on steel.

Reflector .050" aluminum ellipsoidal reflector with clear, gold, or haze finish • 112° cut-out and diffuse wall wash kicker reflector • Single cut-out for single wall wash, double cut-out for double wall wash and corner wall wash.

Labels U.L. listed for through-branch wiring, damp locations and IP • Product thermally protected against improper use of lamps or insulation • Union made • CSA certified.

Testing All reports are based on published industry procedures; field performance may differ from laboratory performance.

Product specifications subject to change without notice.

INSTALLATION

Mounting Bracket Rough-in section equipped with vertically adjustable mounting brackets that accept 1/2" conduit, "C" channels (HB-26 or HB-50), linear flat bars (LB-27) or 26" telescoping Real Nail bar hangers (HB-1).

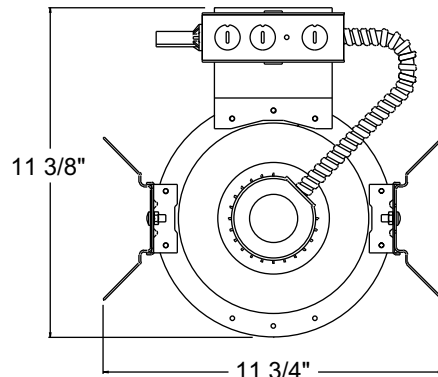
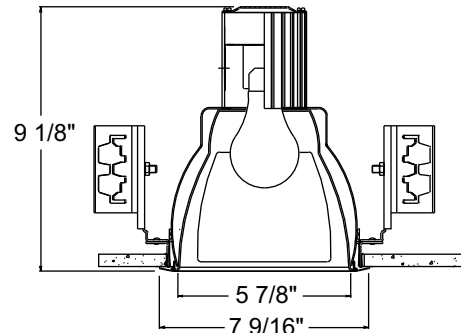
Junction Box Pre-wired junction box, U.L. listed/CSA certified for through-branch wiring, maximum 8 No. 12 AWG 90° C branch circuit conductors (4 in, 4 out) • Junction box provided with removable access plates (4) 1/2" and (1) 3/4" knockouts and ground wire • Knockouts equipped with pryout slots.

Housing/Mounting Frame 16-gauge galvanized steel mounting ring • Rough-in section (junction box, mounting frame, and mounting brackets and socket housing) fully assembled for ease of installation.

PRODUCT CODES

Catalog Number	Cut-Out	Reflector Finish	Wattage and Lamp
TC906-662C-WH	Single	Clear Alzak	100W A19/150W A21
TC906-662G-WH	Single	Gold Alzak	100W A19/150W A21
TC906-662HZ-WH	Single	Haze	100W A19/150W A21
TC906-663C-WH	Double	Clear Alzak	100W A19/150W A21
TC906-663G-WH	Double	Gold Alzak	100W A19/150W A21
TC906-663HZ-WH	Double	Haze	100W A19/150W A21
TC906-664C-WH	Corner	Clear Alzak	100W A19/150W A21
TC906-664G-WH	Corner	Gold Alzak	100W A19/150W A21
TC906-664HZ-WH	Corner	Haze	100W A19/150W A21

DIMENSIONS



6 7/8" CEILING CUTOUT

ACCESSORIES

Catalog No.	Description
HB-1	Two Real Nail Bar Hangers
HB-26	Two 26" C-Channel Bar Hangers
HB-50	Two 50" C-Channel Bar Hangers
LB-27	Two 27" Linear Bar Hangers

To order, specify catalog number.

PHOTOMETRIC REPORT

Test Report #: PTO3010703R
Catalog No: TC906-662C-WH
Total Luminaire Efficiency: 58.4%
Luminaire Spacing Criterion @ 90°: 1.24
Luminaire: 6" Recessed A-Lamp Cut-Out Wall Wash
Lamp: One 150W A21/IF lamp rated @ 2850 lumens

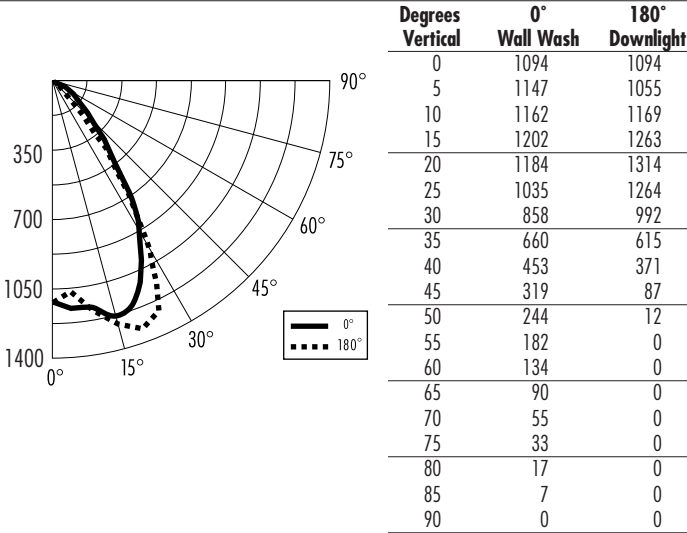
ACULUX® RECESSED WALL WASH

6" OPEN APERTURE

TC Rated, 100W A19 or 150W A21

TC906-662, -663, -664 SERIES

CANDLEPOWER DISTRIBUTION (Candelas)



LUMINANCE (Average cd/m²)

Degrees	180° Downlight Luminance
45	6732
55	0
65	0
75	0
85	0

ZONAL LUMEN SUMMARY

Zone	Lumens	%Lamp	%Fixture
0-30°	1017	35.7	61.1
0-40°	1419	49.8	85.2
0-60°	1624	57.0	97.5
0-90°	1666	58.4	100.0
90-180°	0	—	—
0-180°	1666	58.4	100.0

INITIAL FOOTCANDLES ON WALL FROM MULTIPLE FIXTURES (Single and Double Wall Wash)

Fixture Distance to Wall	2'			3'								
	2'	3'	4'	3'	4'	5'						
1'	22	25	22	12	21	12	6	6	6	4	5	4
2'	40	42	40	22	32	22	14	15	14	10	13	10
3'	45	46	45	27	34	27	18	19	18	12	15	12
4'	42	43	42	29	28	29	20	21	20	14	17	14
5'	34	35	34	24	23	24	21	21	21	15	16	15
6'	28	28	28	18	19	18	19	20	19	15	14	15
7'	22	22	22	15	15	15	17	17	17	13	13	13
8'	18	18	18	12	13	12	15	15	15	11	11	11
9'	15	15	15	10	10	10	13	13	13	9	10	9

*Multipliers: 100W A19 - 0.6, Gold - 0.9, Haze - 0.95

*Note: Multipliers are provided for estimating purposes only. Use IES photometric files for precise photometric information.



1300 S. Wolf Road • Des Plaines, IL 60018 • Phone (847) 827-9880 • Fax (847) 827-2925
 220 Chrysler Drive • Brampton, Ontario • Canada L6S 6B6 • Phone (905) 792-7335 • Fax (905) 792-0064
 Visit us at www.junolightinggroup.com

Printed in U.S.A. ©2010 Juno Lighting, LLC.