



# ACULUX® RECESSED DOWNLIGHT

6" OPEN APERTURE

TC Rated, 100W A19 or 150W A21

**TC906-643 SERIES**

Project: \_\_\_\_\_

Fixture Type: \_\_\_\_\_

Location: \_\_\_\_\_

Contact/Phone: \_\_\_\_\_

## PRODUCT DESCRIPTION

Recessed A-lamp downlight with 6" deep Alzak® cone aperture. Fixture has 50° visual cutoff to lamp and lamp image. TC housing designed for use in non-insulated areas, or where insulation is spaced at least 3" from housing. Supplied with vertically adjustable mounting brackets that accept 1/2" conduit, "C" channel bar hangers, linear bar hangers or telescoping Real Nail bar hangers.

## PRODUCT SPECIFICATIONS

**Lamp** One 100W A19 or 150W A21 lamp.

**Socket Housing** Medium base porcelain socket with nickel plated copper screw shell • Extruded aluminum socket housing with heat dissipating fins • Adjustable for proper positioning of A19 or A21 lamps.

**Trim Ring** White baked enamel on steel.

**Reflector** .050" aluminum ellipsoidal reflector with clear, gold, or haze finish.

**Labels** U.L. listed for through-branch wiring, damp locations and IP • Product thermally protected against improper use of lamps or insulation • Union made • CSA certified.

**Testing** All reports are based on published industry procedures; field performance may differ from laboratory performance.

Product specifications subject to change without notice.

## INSTALLATION

**Mounting Bracket** Rough-in section equipped with vertically adjustable mounting brackets that accept 1/2" conduit, "C" channels (HB-26 or HB-50), linear flat bars (LB-27) or 26" telescoping Real Nail bar hangers (HB-1).

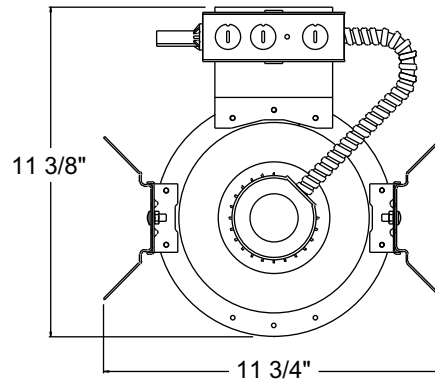
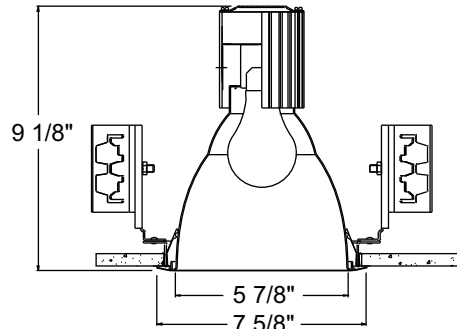
**Junction Box** Pre-wired junction box, U.L. listed/CSA certified for through-branch wiring, maximum 8 No. 12 AWG 90° C branch circuit conductors (4 in, 4 out) • Junction box provided with removable access plates (4) 1/2" and (1) 3/4" knockouts and ground wire • Knockouts equipped with pryout slots.

**Housing/Mounting Frame** 16-gauge galvanized steel mounting ring • Rough-in section (junction box, mounting frame, mounting brackets and socket housing) fully assembled for ease of installation.

## PRODUCT CODES

Catalog Number	Reflector Finish	Wattage and Lamp
TC906-643C-WH	Clear Alzak	100W A19/150W A21
TC906-643G-WH	Gold Alzak	100W A19/150W A21
TC906-643HZ-WH	Haze	100W A19/150W A21

## DIMENSIONS



6 7/8" CEILING CUTOUT

## ACCESSORIES

Catalog No.	Description
HB-1	Two Real Nail Bar Hangers
HB-26	Two 26" C-Channel Bar Hangers
HB-50	Two 50" C-Channel Bar Hangers
LB-27	Two 27" Linear Bar Hangers

To order, specify catalog number.

**PHOTOMETRIC REPORT**

Test Report #: PTO1001101

Catalog No: TC906-643C-WH

Total Luminaire Efficiency: 60.0%

Luminaire Spacing Criterion: 1.1

Luminaire: 6" Recessed A-Lamp Downlight, Open Aperture

Lamp: One 150W A21 IF lamp rated @ 2850 lumens

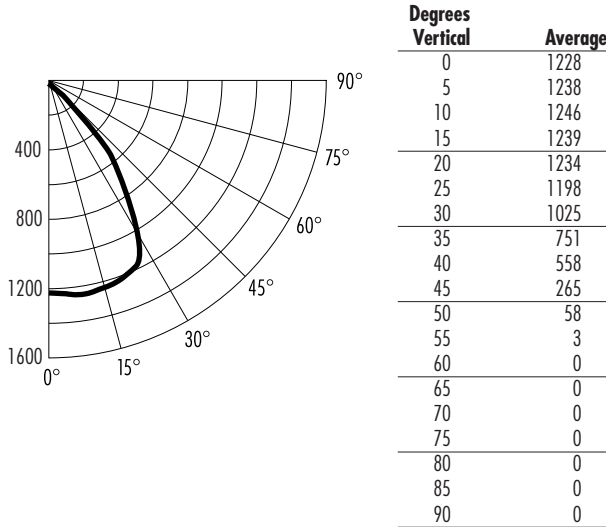
# ACULUX® RECESSED DOWNLIGHT

6" OPEN APERTURE

TC Rated, 100W A19 or 150W A21

## TC906-643 SERIES

**CANDLEPOWER DISTRIBUTION (Candelas)**



\*Multipliers: Gold - 0.9, Haze - 0.95

**LUMINANCE (Average cd/m²)**

Degrees	Average Luminance
45	21450
55	322
65	0
75	0
85	0

**ZONAL LUMEN SUMMARY**

Zone	Lumens	%Lamp	%Fixture
0-30°	1015	35.6	59.3
0-40°	1490	52.3	87.1
0-60°	1710	60.0	100.0
0-90°	1710	60.0	100.0
90-180°	0	—	—
0-180°	1710	60.0	100.0

**COEFFICIENTS OF UTILIZATION- % (Zonal Cavity Method)** Effective Floor Cavity Reflectance 20% ( $\rho_{fc}$ )

RCR	$\rho_{cc}$ $\rho_w$	80			70			50			30			10			0
		50	30	10	50	30	10	50	30	10	50	30	10	50	30	10	0
0		71	71	71	70	70	70	67	67	67	64	64	64	61	61	61	60
1		66	65	63	65	63	62	62	61	60	60	59	58	58	57	57	56
2		61	59	56	60	58	56	58	56	54	56	55	53	55	53	52	51
3		56	53	51	56	53	50	54	52	49	53	50	49	51	49	48	47
4		52	49	46	52	48	46	50	47	45	49	47	45	48	46	44	43
5		48	45	42	48	44	42	47	44	41	46	43	41	45	42	41	40
6		45	41	38	45	41	38	44	40	38	43	40	38	42	39	37	36
7		42	38	35	41	38	35	41	37	35	40	37	35	39	37	35	34
8		39	35	32	39	35	32	38	35	32	37	34	32	37	34	32	31
9		36	33	30	36	32	30	36	32	30	35	32	30	34	32	30	29
10		34	30	28	34	30	28	33	30	28	33	30	28	32	30	28	27

$\rho_{cc}$  – Ceiling Cavity Reflectance (%)  $\rho_w$  – Wall Reflectance (%)

**INITIAL FOOTCANDLES**

One Unit, 150W A21, 76° Beam

Footcandles Beam Edge	Footcandles Beam Center	Beam Diameter	Distance to Illuminated Work Plane (Feet)
8.6	34.1	9.3'	6
4.8	19.2	12.4'	8
3.1	12.3	15.5'	10
2.1	8.5	18.7'	12
1.6	6.3	21.8'	14
1.2	4.8	24.9'	16
1.0	3.8	28.0'	18

(Beam Edge defined as 50% of Maximum Nadir Candlepower)

**AVERAGE INITIAL FOOTCANDLES**

Multiple Units (Square Array, 60' x 60' Room)

Ceiling 80% Wall 50% Floor 20%

Spacing	RCR1	RCR3	RCR5
4.0'	118	100	86
5.0'	75	64	55
6.0'	52	44	38
7.0'	42	36	31
8.0'	33	28	24
9.0'	26	22	19
10.0'	19	16	14

\*Note: Multipliers are provided for estimating purposes only. Use IES photometric files for precise photometric information.



1300 S. Wolf Road • Des Plaines, IL 60018 • Phone (847) 827-9880 • Fax (847) 827-2925  
 220 Chrysler Drive • Brampton, Ontario • Canada L6S 6B6 • Phone (905) 792-7335 • Fax (905) 792-0064  
 Visit us at [www.junolightinggroup.com](http://www.junolightinggroup.com)

Printed in U.S.A. ©2010 Juno Lighting, LLC.