



ACULUX® RECESSED DOWNLIGHT

6" BAFFLED APERTURE

TC Rated, 100W A19 or 150W A21

TC906-633 SERIES

Project: _____

Fixture Type: _____

Location: _____

Contact/Phone: _____

PRODUCT DESCRIPTION

Recessed A-lamp downlight with 6" deep Alzak® cone/baffle aperture. Fixture has 50° visual cutoff to lamp and lamp image. TC housing designed for use in non-insulated areas, or where insulation is spaced at least 3" from housing. Supplied with vertically adjustable mounting brackets that accept 1/2" conduit, "C" channel bar hangers, linear bar hangers or telescoping Real Nail bar hangers.

PRODUCT SPECIFICATIONS

Lamp One 100W A19 or 150W A21 lamp.

Socket Housing Medium base porcelain socket with nickel plated copper screw shell • Extruded aluminum socket housing with heat dissipating fins • Adjustable for proper positioning of A19 or A21 lamps.

Trim Ring White baked enamel on steel.

Reflector .050" aluminum ellipsoidal reflector with clear Alzak® finish.

Baffle Integral black or white grooved baffle.

Labels U.L. listed for through-branch wiring, damp locations and IP • Product thermally protected against improper use of lamps or insulation • Union made • CSA certified.

Testing All reports are based on published industry procedures; field performance may differ from laboratory performance.

Product specifications subject to change without notice.

INSTALLATION

Mounting Bracket Rough-in section equipped with vertically adjustable mounting brackets that accept 1/2" conduit, "C" channels (HB-26 or HB-50), linear flat bars (LB-27) or 26" telescoping Real Nail bar hangers (HB-1).

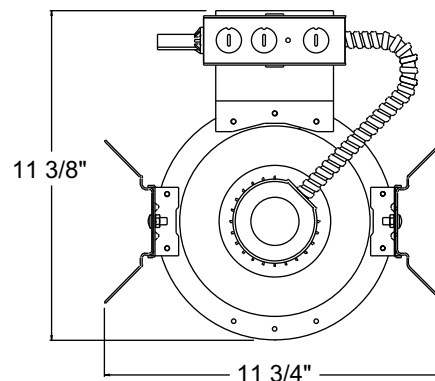
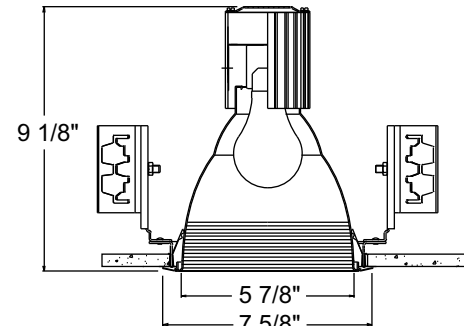
Junction Box Pre-wired junction box, U.L. listed/CSA certified for through-branch wiring, maximum 8 No. 12 AWG 90° C branch circuit conductors (4 in, 4 out) • Junction box provided with removable access plates (4) 1/2" and (1) 3/4" knockouts and ground wire • Knockouts equipped with pryout slots.

Housing/Mounting Frame 16-gauge galvanized steel mounting ring • Rough-in section (junction box, mounting frame, mounting brackets and socket housing) fully assembled for ease of installation.

PRODUCT CODES

Catalog Number	Trim	Wattage and Lamp
TC906-633B-WH	Black Baffle/Clear Alzak	100W A19/150W A21
TC906-633W-WH	White Baffle/Clear Alzak	100W A19/150W A21

DIMENSIONS



6 7/8" CEILING CUTOUT

ACCESSORIES

Catalog No.	Description
HB-1	Two Real Nail Bar Hangers
HB-26	Two 26" C-Channel Bar Hangers
HB-50	Two 50" C-Channel Bar Hangers
LB-27	Two 27" Linear Bar Hangers

To order, specify catalog number.

PHOTOMETRIC REPORT

Test Report #: PTO1001001
Catalog No: TC906-633B-WH
Total Luminaire Efficiency: 48.5%
Luminaire Spacing Criterion: 1.06
Luminaire: 6" Recessed A-Lamp Downlight, Baffled Aperture
Lamp: One 150W A21 IF lamp rated @ 2850 lumens

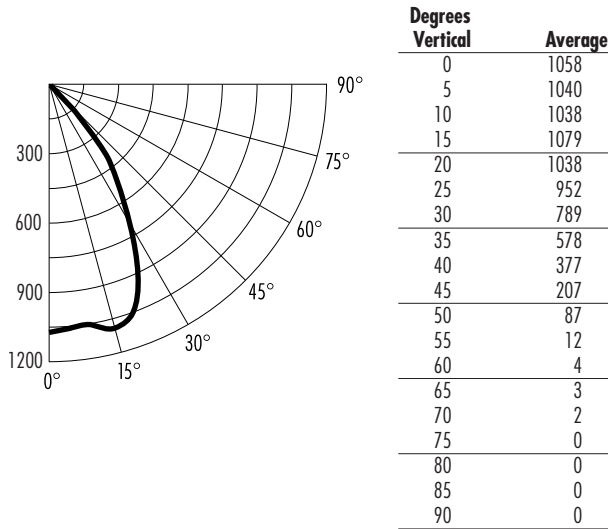
ACULUX® RECESSED DOWNLIGHT

6" BAFFLED APERTURE

TC Rated, 100W A19 or 150W A21

TC906-633 SERIES

CANDLEPOWER DISTRIBUTION (Candelas)



*Multipliers: 100W A19 - 0.6; White Baffle - 1.10

LUMINANCE (Average cd/m²)

Degrees	Average Luminance
45	16060
55	1176
65	374
75	0
85	0

ZONAL LUMEN SUMMARY

Zone	Lumens	%Lamp	%Fixture
0-30°	835	29.3	60.4
0-40°	1196	41.9	86.4
0-60°	1380	48.4	99.8
0-90°	1383	48.5	100.0
90-180°	0	—	—
0-180°	1383	48.5	100.0

COEFFICIENTS OF UTILIZATION- % (Zonal Cavity Method) Effective Floor Cavity Reflectance 20% (ρ_{fc})

RCR	ρ_{cc} ρ_w	80			70			50			30			10			0
		50	30	10	50	30	10	50	30	10	50	30	10	50	30	10	0
0		58	58	58	56	56	56	54	54	54	52	52	52	50	50	50	49
1		53	52	51	52	51	50	50	50	49	49	48	47	47	46	46	45
2		49	47	46	49	47	45	47	45	44	45	44	43	44	43	42	41
3		46	43	41	45	43	41	44	42	40	42	41	39	41	40	39	38
4		42	39	37	42	39	37	41	38	36	40	38	36	39	37	36	35
5		39	36	34	39	36	34	38	35	33	37	35	33	36	34	33	32
6		36	33	31	36	33	31	35	33	31	35	32	30	34	32	30	30
7		34	31	29	34	31	28	33	30	28	32	30	28	32	30	28	27
8		32	29	26	31	28	26	31	28	26	30	28	26	30	28	26	25
9		30	27	24	29	26	24	29	26	24	28	26	24	28	26	24	23
10		28	25	23	28	25	23	27	24	23	27	24	23	26	24	22	22

ρ_{cc} – Ceiling Cavity Reflectance (%) ρ_w – Wall Reflectance (%)

INITIAL FOOTCANDLES

One Unit, 150W A21, 72° Beam

Footcandles Beam Edge	Footcandles Beam Center	Beam Diameter	Distance to Illuminated Work Plane (Feet)
8.0	29.4	8.7'	6
4.5	16.5	11.6'	8
2.9	10.6	14.5'	10
2.0	7.3	17.4'	12
1.5	5.4	20.3'	14
1.1	4.1	23.2'	16
0.9	3.3	26.1'	18

(Beam Edge defined as 50% of Maximum Nadir Candlepower)

AVERAGE INITIAL FOOTCANDLES

Multiple Units (Square Array, 60' x 60' Room)

Ceiling 80% Wall 50% Floor 20%

Spacing	RCR1	RCR3	RCR5
4.0'	94	82	69
5.0'	60	52	44
6.0'	42	36	31
7.0'	34	29	25
8.0'	27	23	20
9.0'	21	18	15
10.0'	15	13	11

*Note: Multipliers are provided for estimating purposes only. Use IES photometric files for precise photometric information.



1300 S. Wolf Road • Des Plaines, IL 60018 • Phone (847) 827-9880 • Fax (847) 827-2925
 220 Chrysler Drive • Brampton, Ontario • Canada L6S 6B6 • Phone (905) 792-7335 • Fax (905) 792-0064
 Visit us at www.junolightinggroup.com