



Features

- 6" Super slope housing (oval)
- Oblique angle housing design holds trims flush with the ceiling
- Adjustable socket plate permits lamp to remain perpendicular to floor through entire pitch range
- Medium base porcelain socket with nickel-plated copper screw shell
- Housing is vertically adjustable to accommodate up to a 1" ceiling thickness
- Real Nail® 3 bar hangers: telescoping system with pre-installed removable nail for easy repositioning of housing in joist construction • Integral T-bar mounting feature for secure installation in suspended ceilings • Patented break-away bars for tight joist spacing • Bar hangers may be repositioned 90° • Curved foot facilitates alignment with joist bottom • Quick-Loc slot and oversized set screw lock fixture in position
- Housing is fully assembled for ease of installation
- Pre-wired junction box with (5) 1/2" and (1) 3/4" knockouts with pryout slots, (4) non-metallic sheathed cable connectors, and ground wire
- Shadow-free, knife-edge trim design blends smoothly into the ceiling and allows architectural continuity with Aculux® trims
- Angle-cut baffles ensure grooves remain parallel to the floor to provide proper optics
- UL Listed, C-UL/CSA certified for through-branch wiring, maximum (8) #12 AWG branch circuit conductors (4 in, 4 out)
- Thermally protected against improper use of lamps
- Lamp wattage ratings and apertures based on trim selection on page 120

Description

IC rated, energy efficient Air-Loc® double wall construction housing for use in 7/12 to 12/12 pitch slopes (30° to 45°) • Can be completely covered with insulation • Air-Loc installation stops infiltration and exfiltration of air, reducing heating and cooling costs • The Juno patented Slope Ceiling Down-Lites direct light straight down, providing proper lighting from a sloped surface

Listings

UL Listed, C-UL/CSA certified for through-branch wiring, damp and wet locations • Wet location listed with the 603 trim • Washington State IECC and MEC energy codes as tested per ASTM-E283 • Conforms with City of Chicago IP requirements

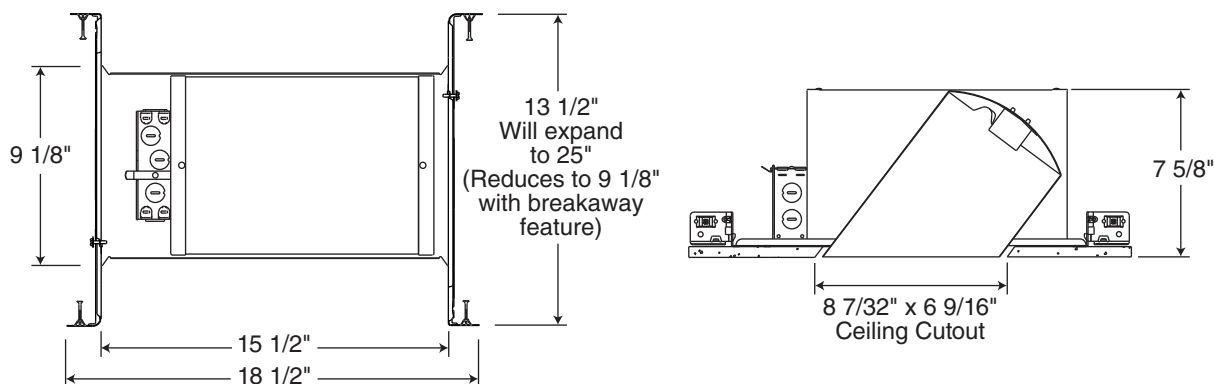


Ordering Information

Catalog Number: **IC928**

Catalog Number: **IC928W** - IC928 with push-in electrical connectors for fast, secure installation

Dimensions



Downlights



Baffle

Catalog #
 604W-WH
 604B-WH
 604B-BL
 604B-ABZ
 604B-SC

Description

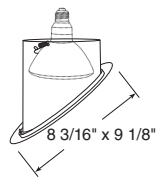
White Baffle, White Trim
 Black Baffle, White Trim
 Black Baffle, Black Trim
 Black Baffle, Classic Aged Bronze Trim
 Black Baffle, Satin Chrome Trim

Max. Lamp Rating

IC928: 90W PAR38
 TC928: 150W PAR38

Aperture

5 1/2" x 6 7/8"



Cone

Catalog #
 602B-WH
 602C-WH
 602G-WH
 602HZ-SC
 602HZ-WH
 602W-WH
 602WHZ-ABZ
 602WHZ-WH

Description

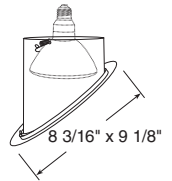
Black Alzak®, White Trim
 Clear Alzak®, White Trim
 Gold Alzak®, White Trim
 Haze, Satin Chrome Trim
 Haze, White Trim
 White, White Trim
 Wheat Haze, Classic Aged Bronze Trim
 Wheat Haze, White Trim

Max. Lamp Rating

IC928: 75W PAR30, 90W PAR38, 85W BR30
 TC928: 75W PAR30, 150W PAR38, 85W BR30

Aperture

5 3/4" x 7"



Adjustables



Cylinder Spotlight in Baffle

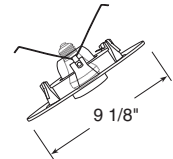
Catalog #
 606W-WH
 606B-WH

Description

White Cylinder with White Baffle, White Trim
 Black Cylinder with Black Baffle, White Trim

Max. Lamp Rating

60W PAR16



Lensed



Lensed Flat Diffuser

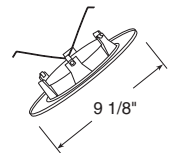
Catalog #
 603W-WH
 603B-WH

Description

White Trim
 White Trim

Max. Lamp Rating

IC928: 50W PAR30
 TC928: 75W A19, 75W PAR30



Down-Lites

