

Project: _____

Fixture Type: _____

Location: _____

Contact/Phone: _____

6" VERTICAL COMPACT FLUORESCENT HOUSING

26/32/42W
COMPACT FLUORESCENT LAMP
PL642EU

PRODUCT DESCRIPTION

PL housing designed for use in non-insulated areas • If installed where insulation is present, the insulation must be pulled back 3" from all sides of the PL housing • Easy access ballast.

PRODUCT SPECIFICATIONS

Lamp One 26/32/42W triple tube (4-pin) CFL lamp.

Socket Supplied with spring to accommodate certain trim installations, or can be attached to top of housing for certain trims.

Ballast 120V thru 277V HPF Rapid Start Electronic with end-of-life lamp protection • UL listed/CSA certified • Mounted between j-box and housing for ease of maintenance.

Trims Trim selection shown on reverse.

Labels UL listed for through-branch wiring and damp locations • Union made AFL-CIO • UL and C-UL Listed • Trims 220, 239, 241, 242, 243, 271, 6101 and 9900 are wet location approved for covered ceiling applications.

Testing All reports are based on published industry procedures; field performance may differ from laboratory performance.

Product specifications subject to change without notice.

INSTALLATION

Real Nail 3 Bar Hangers Telescoping, patent-pending Real Nail 3 system permits quick placement of housing anywhere within 24" O.C. joists or suspended ceilings • Integral T-bar notch and clip secures housing in suspended ceiling grid – no accessory clips required • 24" expansion stop allows quick placement of fixture in standard grid spacing • Bars scored in two locations for fast, clean breaking, allowing housing installation in tight applications • Bars captive to mounting frame • Edge-mounted for extra strength • Captive bugle-headed ring shank nail for quick one-step installation and easy removal with claw hammer for fixture relocation • Quick-Loc slot and oversized locking set screw lock fixture in position • Bar hanger foot contoured to align to bottom of construction joist • Alternate mounting holes included.

Junction Box Pre-wired junction box provided with (5) ½" and (1) ¾" knockouts, (4) Non-metallic sheathed cable connectors and ground wire, UL and C-UL Listed for through-branch wiring, maximum (8) No. 12 AWG 90° C branch circuit conductors (4 in, 4 out) • Junction box provided with removable access plate • Knockouts equipped with pryout slots.

Mounting Frame 22-gauge die-formed galvanized steel mounting frame • Rough-in section (junction box, mounting frame, housing ballast and bar hangers) fully assembled for ease of installation.

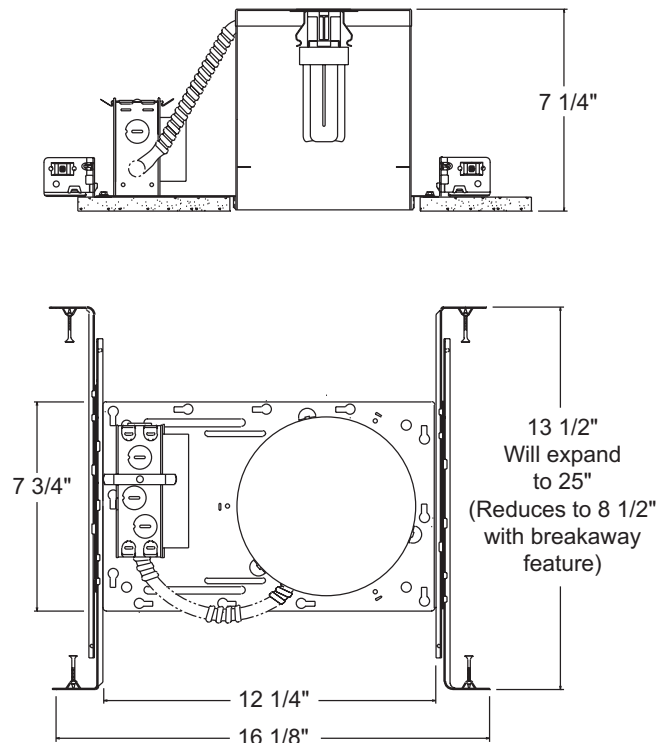
Housing 22-gauge white painted steel • Housing is vertically adjustable to accommodate up to a 2" ceiling thickness.

PRODUCT CODES

Catalog Number	Input Voltage	Lamp Rating (max.)
PL642EU	120V - 277V	26/32/42W Triple Tube (4-pin) CFL

REV-10/08

DIMENSIONS








6 7/8" CEILING CUTOUT

6" VERTICAL COMPACT FLUORESCENT HOUSING

26/32/42W
COMPACT FLUORESCENT LAMP

PL642EU

TRIMS/LAMPS

	Cat. No.	Description	Lamp Rating
	220-WH ◆ 220-PW ◆	Albalite lens with Reflector Shower/Closet Light	26W Triple Tube (4-pin) CFL
	241-WH ◆ 241-PW ◆	Drop Opal with Reflector Shower/Closet Light	26W Triple Tube (4-pin) CFL
	242-WH ◆ 242-SC ◆ 242-ABZ ◆	Shower Trim, Frosted Lens with Clear Center Shower Trim, Frosted Lens with Clear Center Shower Trim, Frosted Lens with Clear Center	42W Triple Tube (4-pin) CFL
	243-WH ◆	Decorative Swirl Etched Opal Glass	32W Triple Tube (4-pin) CFL*
	239-WH ◆	Frosted Lens with Reflector	32W Triple Tube (4-pin) CFL
	271-PW ◆	Drop Opal with Reflector	32W Triple Tube (4-pin) CFL
	28W-WH 28B-WH	Conical White Baffle Conical Black Baffle	42W Triple Tube (4-pin) CFL
	29C-WH 29W-WH	Deep Cone - Clear Deep Cone - White	42W Triple Tube (4-pin) CFL
	232C-WH 232G-WH 232W-WH 232HZ-WH 232WHZ-WH	Multiplier - Clear Alzak® Multiplier - Gold Alzak® Multiplier - Gloss White Multiplier - Haze Multiplier - Wheat Haze	42W Triple Tube (4-pin) CFL*
	2320C-WH 2320HZ-WH 2320WHZ-ABZ 2320WHZ-WH	Multiplier in Clear Low Iridescent Alzak® Multiplier in Haze Multiplier in Wheat Haze Multiplier in Wheat Haze	42W Triple Tube (4-pin) CFL
	233C-WH	Multiplier in Clear Alzak® with Black Baffle, White Trim	42W Triple Tube (4-pin) CFL
	261W-WH 261B-WH	Scoop Wall Wash with White Baffle Scoop Wall Wash with Black Baffle	26W Triple Tube (4-pin) CFL
	6101-ABZ ◆ 6101-SC ◆ 6101-WH ◆	Beveled Frame - Frosted Dome Lens with Reflector Beveled Frame - Frosted Dome Lens with Reflector Beveled Frame - Frosted Dome Lens with Reflector	42W Triple Tube (4-pin) CFL
	9900-WH ◆	Fluted Drop Opal Lens	32W Triple Tube (4-pin) CFL

Trim Size: Catalog Numbers 242, 243, 239, 271, 28, 29, 232, 2320, 233, 261, 9900 - 7 $\frac{5}{8}$ " O.D. Catalog Numbers 220, 241 - 8" O.D. Catalog Number 6101 - 7 $\frac{3}{4}$ " O.D.
Trim Finish: ABZ - Classic Aged Bronze, PW - Plastic White (Polycarbonate material shower trim), SC - Satin Chrome, WH - White.

Alzak is a registered trademark of Alcoa Corp.
Note: In Canada when insulation is present, Type IC fixtures must be used.

*Use only Osram Sylvania or G.E. lamps.

◆ UL Listed for use in wet location.

** NOTE: TR6 Trim Ring compatible with 9900 trim.



1300 S. Wolf Road • Des Plaines, IL 60018 • Phone (847) 827-9880 • Fax (847) 827-2925
220 Chrysler Drive • Brampton, Ontario • Canada L6S 6B6 • Phone (905) 792-7335 • Fax (905) 792-0064
Visit us at www.junolightinggroup.com

Printed in U.S.A. ©2008 Juno Lighting, LLC.