



Description

Non-IC rated vertical CFL housing with single wall construction • Designed to be installed in non-insulated areas, or where insulation is spaced at least 3" from housing

Listings

UL Listed, C-UL/CSA certified for through-branch wiring, damp and wet locations • Wet location listed when used with a 220, 239, 241, 242, 243, 271, 2330, 6101 and 9900 trim

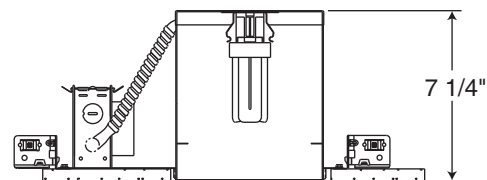
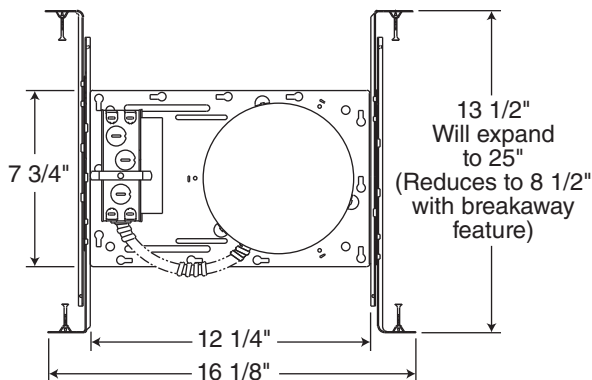
Features

- 6" Housing
- 120V through 277V HPF rapid start electronic ballast with end-of-life lamp protection
- Ballast mounted to the inside J-box cover facing the housing for ease of maintenance
- Removable or fixed mounted socket accommodates a variety of trim installations
- Vertically adjustable to accommodate up to a 2" ceiling thickness
- Real Nail® 3 bar hangers: telescoping system with pre-installed removable nail for easy repositioning of housing in joist construction • Integral T-bar mounting feature for secure installation in suspended ceilings • Patented breakaway bars for tight joist spacing • Bar hangers may be re-positioned 90° • Curved foot facilitates alignment with joist bottom • Quick-Loc slot and oversized set screw lock fixture in position
- Fully assembled white painted steel housing
- Pre-wired junction box with (5) 1/2" and (1) 3/4" knockouts with pryout slots, (4) non-metallic sheathed cable connectors, and ground wire
- UL Listed, C-UL/CSA certified for through-branch wiring, maximum (8) #12 AWG conductors (4 in, 4 out)
- Shadow-free, knife-edge trim design blends smoothly into the ceiling and allows architectural continuity with Aculux® trims
- One 42W or 32W or 26W triple tube (4-pin) CFL lamp with trim selection on pages 76-77

Ordering Information

Catalog Number: **PL642EU**

Dimensions



6 7/8" Ceiling Cutout

