

Juno®

Project: _____

Fixture Type: _____

Location: _____

Contact/Phone: _____

5" TC 900 LUMEN LED DOWNLIGHT NEW CONSTRUCTION

TC920LEDG3 RECESSED HOUSING LENSED TRIMS

PRODUCT DESCRIPTION

Dedicated LED new construction housing with integral light engine

- Shallow housing allows for fit in 2 x 6 construction
- TC housing design for use in non-insulated areas
- If installed where insulation is present, the insulation must be pulled back 3" from all sides of the TC housing
- LED housing is designed to provide 50,000 hours of life and is compatible with many standard Juno trims
- 5 year limited warranty on LED components.

ENVIRONMENTALLY FRIENDLY, ENERGY EFFICIENT

- No harmful ultraviolet or infrared wavelengths
- No lead or mercury
- Comparable light output to 26W compact fluorescent while consuming less than 18W*



PRODUCT SPECIFICATIONS

LED Light Engine LED array integrated to one piece high purity aluminum, thermally conductive housing provides uninterrupted heat transfer to ensure long life of the LED

- Replaceable light engine mounts directly to housing and incorporates the latest generation, high lumen output LED array
- LEDs are binned to standards that exceed ENERGY STAR® requirements yielding superior fixture to fixture color uniformity
- 2700K, 3000K, 3500K or 4100K color temperatures available
- 83 CRI typical.

Optical System Computer-optimized reflector design with high reflectance white finish coupled with a high transmission diffusing lens conceals the LEDs and produces uniform aperture luminance

- Wide flood distribution shipped as standard with optional optic accessories available and sold separately.

Aesthetic Trim Selections Compatible with wide selection of existing Juno trims

- Shadow free, knife edge design blends seamlessly into ceiling.

LED Driver Universal voltage driver that accommodates input voltage from 120-277 volts AC at 50/60Hz is standard and is dimmable with the use of most 0-10V wall box dimmers

- Power factor > 0.9 at 120V input
- Optional Lutron Hi-Lume® A-Series driver accommodates 120-277 volts AC at 50/60Hz
- Mounted between the j-box and housing for easy access and cool operation
- For a list of compatible dimmers, see JUNOTCLEDG3-9-DIM.

Emergency Battery Option Battery factory assembled to housing with remote mounted test switch included

- Drives LED array for 90 minutes to meet Life Safety Code (NFPA-LSC), National Electrical Code (NEC) and UL requirements
- Provides 50% light output in emergency mode.

Life Rated for 50,000 hours at 70% lumen maintenance.

Labels UL listed for U.S. and Canada through-branch wiring, damp locations

- Union made
- UL and cUL listed.

Testing All reports are based on published industry procedures; field performance may differ from laboratory performance.

Product specifications subject to change without notice.

HOUSING FEATURES

Housing Designed for use in TC applications (non-insulated)

- Aluminum housing
- Housing is vertically adjustable to accommodate up to a 2" ceiling thickness.

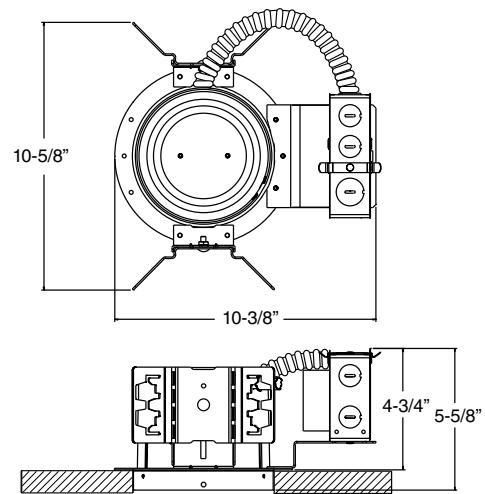
Junction Box Pre-wired junction box provided with (5) 1/2" and (1) 3/4" knockouts and ground wire, UL listed and cUL listed for through-branch wiring, maximum 8 No. 12 AWG 90° C branch circuit conductors (4 in, 4 out)

- Junction box provided with removable access plates
- Knockouts equipped with pryout slots.

Mounting Frame 16-gauge galvanized steel mounting ring equipped with vertically adjustable mounting brackets that accept 1/2" conduit or "C" channels (HB-26 or HB-50), linear flat bars (LB-27) or Real Nail® 3 bar hangers (HB-1).

*Nominal input wattage @ 120V with standard universal voltage driver under stable operating conditions

DIMENSIONS



5 5/8" CEILING CUTOUT

ELECTRICAL DATA

STANDARD UNIVERSAL VOLTAGE DRIVER (-U)

	120V	277V
Input Power	17.9W (+/-5%)	18.3W (+/-5%)
Input Current - Max	0.15A	0.07A
Frequency	50/60Hz	50/60Hz
EMI/RFI	FCC Title 47 CFR, Part 15, Class A (Commercial)	FCC Title 47 CFR, Part 15, Class A (Commercial)
Minimum starting temp	-40°C (-40°F)	-40°C (-40°F)

UNIVERSAL VOLTAGE DRIVER WITH EMERGENCY OPTION (-UBR)

	120V	277V
Input Power	21.2W (+/-5%)	21.5W (+/-5%)
Input Current - Max	0.33A	0.30A
Frequency	50/60Hz	50/60Hz
EMI/RFI	FCC Title 47 CFR, Part 15, Class A (Commercial)	FCC Title 47 CFR, Part 15, Class A (Commercial)
Minimum starting temp	0°C (32°F)	0°C (32°F)

LUTRON HI-LUME® LED DRIVER (-L)

	120V	277V
Input Power	17.6W (+/-5%)	18.5W (+/-5%)
Input Current - Max	0.15A	0.08A
Frequency	50/60Hz	50/60Hz
EMI/RFI	FCC Title 47 CFR, Part 15, Class A (Commercial)	FCC Title 47 CFR, Part 15, Class A (Commercial)
Minimum starting temp	0°C (32°F)	0°C (32°F)

LUTRON HI-LUME® LED DRIVER WITH EMERGENCY OPTION (-LBR)

	120V	277V
Input Power	20.8W (+/-5%)	21.5W (+/-5%)
Input Current - Max	0.33A	0.30A
Frequency	50/60Hz	50/60Hz
EMI/RFI	FCC Title 47 CFR, Part 15, Class A (Commercial)	FCC Title 47 CFR, Part 15, Class A (Commercial)
Minimum starting temp	0°C (32°F)	0°C (32°F)

5" TC 900 LUMEN LED DOWNLIGHT NEW CONSTRUCTION

TC920LEDG3 RECESSED HOUSING LENSED TRIMS

ORDERING INFORMATION: Housing, trim and accessories each ordered separately.

Example: **TC920LEDG3-27K-UBR**

Example: **2130W-WH**

Catalog No.	Color Temp.	Voltage	Options
TC920LEDG3	27K 2700K 3K 3000K 35K 3500K 41K 4100K	U Universal Voltage 120-277V (0-10V dimming) L Lutron Hi-Lume Dimmable Driver	BR Emergency Battery Back-up w/ Remote Switch CP Chicago Plenum

Example: **HB-26**

Accessories

Cat. #	Description
HB-1	Two 13 1/2" - 25" Real Nail® 3 bar hangers
HB-26	Two 26" C-channel bar hangers
HB-50	Two 50" C-channel bar hangers
LB-27	Two 27" linear bar hangers

LED Optics

Cat. #	Description
LEDOPTICG3-M	Medium Flood Optic (50°)
LEDOPTICG3-N	Narrow Flood Optic (37°)
LEDOPTICG3-S	Spot Optic (10°)

Trim/Description



210N-WH *
210N-SC *
210N-ABZ * Flat Glass Shower Trim



212N-WH *
212N-SC *
212N-ABZ * Frosted Lens with Clear Center



2130W-WH * White Baffle Regressed Frosted Dome Lens
2130B-WH * Black Baffle Regressed Frosted Dome Lens



5101-ABZ *
5101-SC *
5101-WH * Beveled Frame - Frosted Dome Lens

UL Listed for use in wet location.

* Do not use reflector shipped with trim for LED housing.

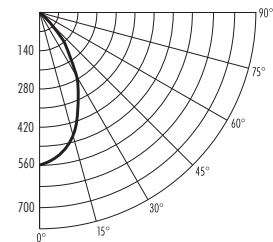
Trim Size: 210, 212, 2130 - 6 1/4" O.D.; 5101 - 6 1/2" O.D.

Trim Finish: ABZ - Classic Aged Bronze, SC - Satin Chrome, WH - White

Note: In Canada when insulation is present, Type IC fixtures must be used.

PHOTOMETRIC REPORT

Test Report #: PT09122804R
Catalog No: TC920LEDG3-35K-U
with 210-WH Trim and Standard Wide Flood Optic
Luminaire Spacing Criterion: 0.94
Luminaire LPW: 36



CANDLEPOWER DISTRIBUTION (Candelas)

Degrees	Candlepower
Vertical 0°	0
0	560
5	552
15	500
25	375
35	192
45	90
55	48
65	27
75	13
85	3
90	0
Multiplier:	27K - 0.93 3K - 0.99 41K - 1.01

AVERAGE INITIAL FOOTCANDLES

Multiple Units (Square Array, 60'x60' room)
Ceiling 80% Wall 50% Floor 20%

Spacing	RCR1	RCR3	RCR5
4.0'	43	36	31
5.0'	28	23	20
6.0'	19	16	14
7.0'	16	13	11
8.0'	12	10	9
9.0'	9	8	7
10.0'	7	6	5

ZONAL LUMEN SUMMARY

Zone	Lumens	%Lamp	%Fixture
0-30°	361	N/A	56.0
0-40°	484	N/A	75.1
0-60°	600	N/A	93.2
0-90°	644	N/A	100.0

INITIAL FOOTCANDLES (One Unit, 17.9W, 60.1° Beam)

Distance to Illuminated Plane (Feet)	Footcandles Beam Center	Beam Diameter
4	35.0	4.6'
6	15.6	6.9'
8	8.8	9.3'
10	5.6	11.6'

LUMINANCE (Average cd/m²)

Degrees	Average 0° Luminance
45	10041
55	6625
65	4969
75	3864
85	2295

Fixtures tested to IES recommended standard for solid state lighting per LM-79-08. Photometric performance on a single unit represents a baseline of performance for the fixture. Results may vary in the field.

