

JUNO®

Project: _____

Fixture Type: _____

Location: _____

Contact/Phone: _____

5" TC 900 LUMEN LED DOWNLIGHT NEW CONSTRUCTION

TC920LEDG4 RECESSED HOUSING WALL WASH TRIMS

PRODUCT DESCRIPTION

Dedicated LED new construction housing with integral light engine • Shallow housing allows for fit in 2 x 6 construction • TC housing design for use in non-insulated areas • If installed where insulation is present, the insulation must be pulled back 3" from all sides of the TC housing • LED housing is designed to provide 50,000 hours of life and is compatible with many standard Juno trims • 5 year limited warranty on LED components.

ENVIRONMENTALLY FRIENDLY, ENERGY EFFICIENT

- No harmful ultraviolet or infrared wavelengths
- No lead or mercury
- Comparable light output to 26W compact fluorescent while consuming only 18W*

PRODUCT SPECIFICATIONS

LED Light Engine LED array integrated to one piece high purity aluminum, thermally conductive housing provides uninterrupted heat transfer to ensure long life of the LED • Replaceable light engine mounts directly to housing and incorporates the latest generation, high lumen output LED array • LEDs are binned within a 3-Step MacAdam Ellipse exceeding ENERGY STAR® requirements yielding superior fixture to fixture color uniformity • 2700K, 3000K, 3500K or 4100K color temperatures available • 90 CRI minimum.

Optical System Painted white scoop is designed to work with computer-optimized reflector design to direct light toward wall uniform illumination on vertical surfaces while concealing LED optic assembly and minimizing glare • LEDs are concealed by high transmission diffusing lens • Retention bar holds scoop assembly to trim • White or black baffle available.

Aesthetic Trim Selections Low profile scoop wall wash trim • Shadow free, knife edge design blends seamlessly into ceiling.

LED Driver Universal voltage driver that accommodates input voltage from 120-277 volts AC at 50/60Hz is standard and is dimmable with the use of most 0-10V wall box dimmers • Power factor > 0.9 at 120V input • Optional Lutron Hi-Lume® A- Series driver accommodates 120-277 volts AC at 50/60Hz • Mounted between the i-box and housing for easy access and cool operation • For a list of compatible dimmers, see [JUNOTCLEDDIM](#).

Emergency Battery Option Battery factory assembled to housing with remote mounted test switch included • Drives LED array for 90 minutes to meet Life Safety Code (NFPA-LSC), National Electrical Code (NEC) and UL requirements • Provides 50% light output in emergency mode.

Life Rated for 50,000 hours at 70% lumen maintenance.

Labels UL listed for U.S. and Canada through-branch wiring, damp locations • Union made • UL and cUL listed.

Testing All reports are based on published industry procedures; field performance may differ from laboratory performance.

Product specifications subject to change without notice.

HOUSING FEATURES

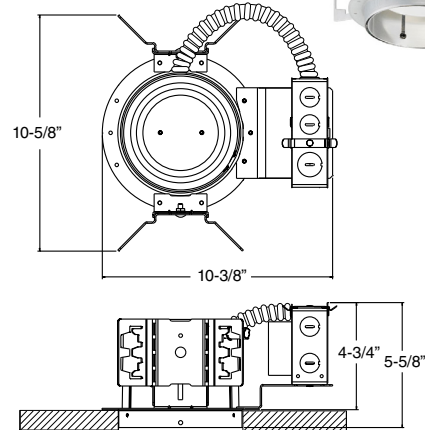
Housing Designed for use in TC applications (non-insulated) • Aluminum housing • Housing is vertically adjustable to accommodate up to a 2" ceiling thickness.

Junction Box Pre-wired junction box provided with (5) 1/2" and (1) 3/4" knockouts and ground wire, UL listed and cUL listed for through-branch wiring, maximum 8 No. 12 AWG 90° C branch circuit conductors (4 in, 4 out) • Junction box provided with removable access plates • Knockouts equipped with pryout slots.

Mounting Frame 16-gauge galvanized steel mounting ring equipped with vertically adjustable mounting brackets that accept 1/2" conduit or "C" channels (HB-26 or HB-50), linear flat bars (LB-27) or Real Nail® 3 bar hangers (HB-1).

*Nominal input wattage @ 120V with standard universal voltage driver under stable operating conditions

DIMENSIONS



5 5/8" CEILING CUTOUT

ELECTRICAL DATA

STANDARD UNIVERSAL VOLTAGE DRIVER (-U)

	120V	277V
Input Power	18W (+/-5%)	18W (+/-5%)
Input Current - Max	0.15A	0.07A
Frequency	50/60Hz	50/60Hz
EMI/RFI	FCC Title 47 CFR, Part 15, Class A (Commercial)	FCC Title 47 CFR, Part 15, Class A (Commercial)
Minimum starting temp	-40°C (-40°F)	-40°C (-40°F)

UNIVERSAL VOLTAGE DRIVER WITH EMERGENCY OPTION (-UBR)

	120V	277V
Input Power	21.3W (+/-5%)	21.3W (+/-5%)
Input Current - Max	0.33A	0.30A
Frequency	50/60Hz	50/60Hz
EMI/RFI	FCC Title 47 CFR, Part 15, Class A (Commercial)	FCC Title 47 CFR, Part 15, Class A (Commercial)
Minimum starting temp	0°C (32°F)	0°C (32°F)

LUTRON HI-LUME® LED DRIVER (-L)

	120V	277V
Input Power	17.8W (+/-5%)	17.8W (+/-5%)
Input Current - Max	0.15A	0.06A
Frequency	50/60Hz	50/60Hz
EMI/RFI	FCC Title 47 CFR, Part 15, Class A (Commercial)	FCC Title 47 CFR, Part 15, Class A (Commercial)
Minimum starting temp	0°C (32°F)	0°C (32°F)

LUTRON HI-LUME® LED DRIVER WITH EMERGENCY OPTION (-LBR)

	120V	277V
Input Power	21W (+/-5%)	21W (+/-5%)
Input Current - Max	0.33A	0.29A
Frequency	50/60Hz	50/60Hz
EMI/RFI	FCC Title 47 CFR, Part 15, Class A (Commercial)	FCC Title 47 CFR, Part 15, Class A (Commercial)
Minimum starting temp	0°C (32°F)	0°C (32°F)

5" TC 900 LUMEN LED DOWNLIGHT NEW CONSTRUCTION

TC920LEDG4 RECESSED HOUSING WALL WASH TRIMS

ORDERING INFORMATION: Housing, trim and accessories each ordered separately.

Example: **TC920LEDG4-27K-UBR**

Catalog No.	Color Temp.	Voltage	Options
<input type="text"/>	<input type="text"/>	<input type="text"/>	<input type="text"/>
TC920LEDG4	27K 2700K 3K 3000K 35K 3500K 41K 4100K	U Universal Voltage 120-277V (0-10V dimming) L Lutron Hi-Lume 3-wire Dimming Ecosystem® Compatible	BR Emergency Battery Back-up w/ Remote Switch CP Chicago Plenum Chicago Plenum is not available with emergency option

Example: **HB-26**

Accessories

Cat. #	Description
HB-1	Two 13 1/2" - 25" Real Nail® 3 bar hangers
HB-26	Two 26" C-channel bar hangers
HB-50	Two 50" C-channel bar hangers
LB-27	Two 27" linear bar hangers

Example: **213G3W-WH**

Trim/Description



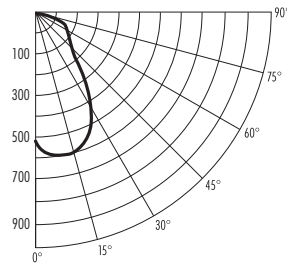
- 213G3W-WH** Scoop Wall Wash with White Baffle
- 213G3B-WH** Scoop Wall Wash with Black Baffle

Trim Size: 6 1/4" O.D.
Trim Finish: WH - White.

Note: In Canada, when insulation is present, Type IC fixtures must be used

PHOTOMETRIC REPORT

Test Report #: PT101124054R
Catalog No: TC920LEDG4-35K-U
with 213G3W-WH Wall Wash Trim
Luminaire Spacing Criterion @ 90°: 1.00
Luminaire LPW: 37



CANDLEPOWER DISTRIBUTION (Candelas)

Degrees Vertical	0°
0	543
5	596
10	610
15	602
20	570
25	518
30	440
35	330
40	225
45	169
50	137
55	118
60	103
65	92
70	81
75	60
80	37
85	21
90	0

Multiplier: 27K - 0.93
3K - 0.99
41K - 1.01

ZONAL LUMEN SUMMARY

Zone	Lumens	%Lamp	%Fixture
0-30°	315	N/A	47.6
0-40°	442	N/A	66.9
0-60°	584	N/A	88.3
0-90°	661	N/A	100.0

LUMINANCE (Average cd/m²)

Degrees	Average Luminance
45	18825
55	16135
65	17098
75	18123
85	18909

FOOTCANDLES ON WALL FROM MULTIPLE FIXTURES

Fixture Distance to Wall	2'						3'							
	2'			3'			3'			4'				
Fixture Centers (spacing)														
1'	21	20	21	16	12	16	8	8	8	7	6	7		
2'	28	28	29	21	18	21	13	13	14	12	9	11		
3'	32	30	30	23	20	23	14	14	14	12	11	12		
4'	30	30	30	23	20	23	14	14	15	12	11	12		
5'	25	25	25	16	18	16	15	15	15	13	12	13		
6'	20	20	20	14	14	14	14	15	14	12	12	11		
7'	15	15	15	12	12	12	13	13	13	11	11	9		
8'	13	13	13	9	9	9	11	12	11	8	9	8		
9'	9	9	9	7	7	7	9	9	9	7	7	7		

DISTANCE FROM CEILING

*For 262G3B-WH trim, use 0.90 multiplier.

*Note: Multipliers are provided for estimating purposes only. Use IES photometric files for precise photometric information.

