

JUNO®

Project: _____

Fixture Type: _____

Location: _____

Contact/Phone: _____

5" TC 900 LUMEN LED DOWNLIGHT NEW CONSTRUCTION

TC920LEDG4 RECESSED HOUSING HYPERBOLIC TRIMS



PRODUCT DESCRIPTION

Dedicated LED new construction housing with integral light engine • Shallow housing allows for fit in 2 x 6 construction • TC housing design for use in non-insulated areas • If installed where insulation is present, the insulation must be pulled back 3" from all sides of the TC housing • LED housing is designed to provide 50,000 hours of life and is compatible with many standard Juno trims • 5 year limited warranty on LED components.

ENVIRONMENTALLY FRIENDLY, ENERGY EFFICIENT

- No harmful ultraviolet or infrared wavelengths
- No lead or mercury
- Comparable light output to 26W compact fluorescent while consuming only 18W*

PRODUCT SPECIFICATIONS

LED Light Engine LED array integrated to one piece high purity aluminum, thermally conductive housing provides uninterrupted heat transfer to ensure long life of the LED • Replaceable light engine mounts directly to housing and incorporates the latest generation, high lumen output LED array • LEDs are binned within a 3-Step MacAdam Ellipse exceeding ENERGY STAR® requirements yielding superior fixture to fixture color uniformity • 2700K, 3000K, 3500K or 4100K color temperatures available • 90 CRI minimum.

Hyperbolic Optical System Unique hyperbolic reflector shape optimized for small, directional LED source provides unique aperture appearance with reduced brightness • NMCT™ nano mixing chamber (provided with trim) with high reflectance white finish coupled with a high transmission diffusing lens conceals the LED and integrates with the hyperbolic trim to create a low glare, efficient system producing over 900 lumens using 18W*.

Aesthetic Trim Selections Patent pending hyperbolic reflector available in clear Alzak®, wheat haze, black Alzak® and white • Shadow free, knife edge design blends seamlessly into ceiling • Installs with torsion springs.

LED Driver Universal voltage driver that accommodates input voltage from 120-277 volts AC at 50/60Hz is standard and is dimmable with the use of most 0-10V dimmers • Power factor > 0.9 at 120V input • Optional Lutron Hi-Lume® A-Series driver accommodates 120-277 volts AC at 50/60Hz • Mounted between the j-box and housing for easy access and cool operation • For a list of compatible dimmers, see [JUNOTCLEDDIM](#).

Emergency Battery Option Battery factory assembled to housing with remote mounted test switch included • Drives LED array for 90 minutes to meet Life Safety Code (NFPA-LSC), National Electrical Code (NEC) and UL requirements • Provides 50% light output in emergency mode.

Life Rated for 50,000 hours at 70% lumen maintenance.

Labels ENERGY STAR® Qualified when used with select trims • UL listed for U.S. and Canada through-branch wiring, damp locations • Union made • UL and cUL listed.

Testing All reports are based on published industry procedures; field performance may differ from laboratory performance.

Product specifications subject to change without notice.

HOUSING FEATURES

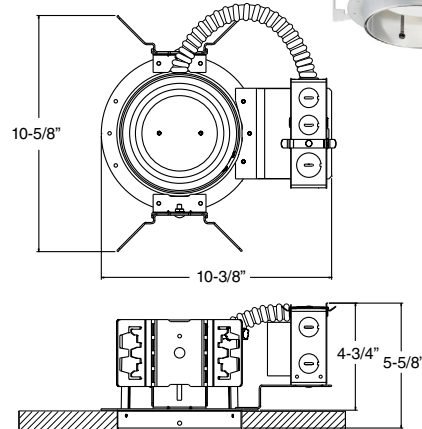
Housing Designed for use in TC applications (non-insulated) • Aluminum housing • Housing is vertically adjustable to accommodate up to a 2" ceiling thickness.

Junction Box Pre-wired junction box provided with (5) 1/2" and (1) 3/4" knockouts and ground wire, UL listed and cUL listed for through-branch wiring, maximum 8 No. 12 AWG 90° C branch circuit conductors (4 in, 4 out) • Junction box provided with removable access plates • Knockouts equipped with pryout slots.

Mounting Frame 16-gauge galvanized steel mounting ring equipped with vertically adjustable mounting brackets that accept 1/2" conduit or "C" channels (HB-26 or HB-50), linear flat bars (LB-27) or Real Nail® 3 bar hangers (HB-1).

*Nominal input wattage @ 120V with standard universal voltage driver under stable operating conditions

DIMENSIONS



5 5/8" CEILING CUTOUT

ELECTRICAL DATA

STANDARD UNIVERSAL VOLTAGE DRIVER (-U)

	120V	277V
Input Power	18W (+/-5%)	18W (+/-5%)
Input Current - Max	0.15A	0.07A
Frequency	50/60Hz	50/60Hz
EMI/RFI	FCC Title 47 CFR, Part 15, Class A (Commercial)	FCC Title 47 CFR, Part 15, Class A (Commercial)
Minimum starting temp	-40°C (-40°F)	-40°C (-40°F)

UNIVERSAL VOLTAGE DRIVER WITH EMERGENCY OPTION (-UBR)

	120V	277V
Input Power	21.3W (+/-5%)	21.3W (+/-5%)
Input Current - Max	0.33A	0.30A
Frequency	50/60Hz	50/60Hz
EMI/RFI	FCC Title 47 CFR, Part 15, Class A (Commercial)	FCC Title 47 CFR, Part 15, Class A (Commercial)
Minimum starting temp	0°C (32°F)	0°C (32°F)

LUTRON HI-LUME® LED DRIVER (-L)

	120V	277V
Input Power	17.8W (+/-5%)	17.8W (+/-5%)
Input Current - Max	0.15A	0.06A
Frequency	50/60Hz	50/60Hz
EMI/RFI	FCC Title 47 CFR, Part 15, Class A (Commercial)	FCC Title 47 CFR, Part 15, Class A (Commercial)
Minimum starting temp	0°C (32°F)	0°C (32°F)

LUTRON HI-LUME® LED DRIVER WITH EMERGENCY OPTION (-LBR)

	120V	277V
Input Power	21W (+/-5%)	21W (+/-5%)
Input Current - Max	0.33A	0.29A
Frequency	50/60Hz	50/60Hz
EMI/RFI	FCC Title 47 CFR, Part 15, Class A (Commercial)	FCC Title 47 CFR, Part 15, Class A (Commercial)
Minimum starting temp	0°C (32°F)	0°C (32°F)

5" TC 900 LUMEN LED DOWNLIGHT NEW CONSTRUCTION

TC920LEDG4 RECESSED HOUSING HYPERBOLIC TRIMS

ORDERING INFORMATION: Housing, trim and accessories each ordered separately.

Example: **TC920LEDG4-27K-UBR**



Catalog No.	Color Temp.	Voltage	Options
TC920LEDG4	27K 2700K 3K 3000K 35K 3500K 41K 4100K	U Universal Voltage 120-277V (0-10V dimming) L Lutron Hi-Lume 3-wire Dimming Ecosystem® Compatible	BR Emergency Battery Back-up w/ Remote Switch CP Chicago Plenum Chicago Plenum is not available with emergency option

Example: **HB-26**

Accessories

Cat. #	Description	Cat. #	Description
HB-1	Two 13 1/2" - 25" Real Nail® 3 bar hangers	TR5-ABZ	Trim Ring - Classic Age Bronze
HB-26	Two 26" C-channel bar hangers	TR5-BL	Trim Ring - Black
HB-50	Two 50" C-channel bar hangers	TR5-SC	Trim Ring - Satin Chrome
LB-27	Two 27" linear bar hangers	TR5-WH	Trim Ring - White

Example: **204HYP3-HZ-WH**

Trim/Description		
	204HYP3-C-WH	Clear Alzak®
	204HYP3-B-WH¹	Black Alzak®
	204HYP3-W-WH	White
	204HYP3-HZ-WH	Haze
	204HYP3-WHZ-WH¹	Wheat Haze
	204HYP3-WHZ-ABZ¹	Wheat Haze

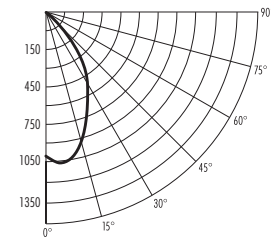
¹Not ENERGY STAR® Qualified.

Trim Size: 6 1/4" O.D.
Trim Finish: ABZ - Classic Aged Bronze, WH - White.
Alzak is a registered trademark of Alcoa Corp.
Note: In Canada when insulation is present, Type IC fixtures must be used.

PHOTOMETRIC REPORT

Test Report #: PT03140404
Catalog No: TC920LEDG4-35K-U
with 204HYP3-C-WH Trim and standard nano mixing chamber

Luminaire Spacing Criterion: 0.94
Luminaire LPW: 55



CANDLEPOWER DISTRIBUTION (Candelas)

Degrees Vertical	Candelas
0	1027
5	1059
15	955
25	688
35	324
45	65
55	0
65	0
75	0
85	0
90	0

Multiplier: 27K - 0.93
3K - 0.99
41K - 1.01

AVERAGE INITIAL FOOTCANDLES

Multiple Units (Square Array, 60"x60" room)
Ceiling 80% Wall 50% Floor 20%

Spacing	RCR1	RCR3	RCR5
4.0'	65	57	50
5.0'	41	36	32
6.0'	29	25	22
7.0'	23	20	18
8.0'	18	16	14
9.0'	14	12	11
10.0'	10	9	8

ZONAL LUMEN SUMMARY

Zone	Lumens	%Lamp	%Fixture
0-30°	679	N/A	72.1
0-40°	884	N/A	93.9
0-60°	942	N/A	100.0
0-90°	942	N/A	100.0

INITIAL FOOTCANDLES (One Unit, 17.1W, 59.6° Beam)

Distance to Illuminated Plane (Feet)	Footcandles Beam Center	Beam Diameter
4	64.2	4.6'
6	28.5	6.9'
8	16.1	9.2'
10	10.3	11.5'

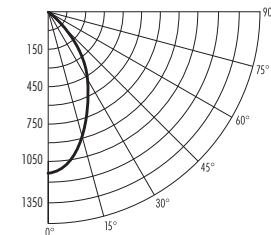
LUMINANCE (Average cd/m²)

Degrees	Average 0° Luminescence
45	8770
55	17
65	0
75	0
85	0

PHOTOMETRIC REPORT

Test Report #: PT03140405
Catalog No: TC920LEDG4-35K-U
with 204HYP3-HZ-WH Trim and standard nano mixing chamber

Luminaire Spacing Criterion: 0.88
Luminaire LPW: 53



CANDLEPOWER DISTRIBUTION (Candelas)

Degrees Vertical	Candelas
0	1082
5	1062
15	897
25	661
35	316
45	70
55	1
65	0
75	0
85	0
90	0

Multiplier: 27K - 0.93
3K - 0.99
41K - 1.01

AVERAGE INITIAL FOOTCANDLES

Multiple Units (Square Array, 60"x60" room)
Ceiling 80% Wall 50% Floor 20%

Spacing	RCR1	RCR3	RCR5
4.0'	63	55	48
5.0'	40	35	31
6.0'	28	24	21
7.0'	23	20	17
8.0'	18	16	14
9.0'	14	12	10
10.0'	10	9	8

ZONAL LUMEN SUMMARY

Zone	Lumens	%Lamp	%Fixture
0-30°	651	N/A	71.4
0-40°	850	N/A	93.3
0-60°	912	N/A	100.0
0-90°	912	N/A	100.0

INITIAL FOOTCANDLES (One Unit, 17.1W, 58.5° Beam)

Distance to Illuminated Plane (Feet)	Footcandles Beam Center	Beam Diameter
4	67.6	4.5'
6	30.0	6.7'
8	16.9	9.0'
10	10.8	11.2'

LUMINANCE (Average cd/m²)

Degrees	Average 0° Luminescence
45	9333
55	99
65	0
75	0
85	0

Fixtures tested to IES recommended standard for solid state lighting per LM-79-08. Photometric performance on a single unit represents a baseline of performance for the fixture. Results may vary in the field.

