

# JUNO®

Project: \_\_\_\_\_

Fixture Type: \_\_\_\_\_

Location: \_\_\_\_\_

Contact/Phone: \_\_\_\_\_

## 5" IC 900 LUMEN LED DOWNLIGHT NEW CONSTRUCTION

### IC920LEDG3 RECESSED HOUSING WALL WASH TRIM

#### PRODUCT DESCRIPTION

Dedicated LED, Air-Loc® sealed new construction housing with integral light engine • Shallow housing allows for fit in 2 x 6 construction • Can be completely covered with insulation • Fully sealed housing stops infiltration and exfiltration of air, reducing heating and air cooling costs without the use of additional gaskets • LED housing is designed to provide 50,000 hours of life and is compatible with many standard Juno trims • 5 year limited warranty on LED components.

#### ENVIRONMENTALLY FRIENDLY, ENERGY EFFICIENT

- No harmful ultraviolet or infrared wavelengths
- No lead or mercury
- Comparable light output to 75W PAR30 incandescent while consuming less than 15W\*



#### PRODUCT SPECIFICATIONS

**LED Light Engine** LED array integrated to one piece high purity aluminum, thermally conductive housing provides uninterrupted heat transfer to ensure long life of the LED • Replaceable light engine mounts directly to housing and incorporates the latest generation, high lumen output LED array • LEDs are binned to standards that exceed ENERGY STAR® requirements yielding superior fixture to fixture color uniformity • 2700K, 3000K, 3500K, or 4100K color temperatures available • 83 CRI typical.

**Optical System** Painted white scoop is designed to work with computer-optimized reflector design to direct light toward wall for uniform illumination on vertical surfaces while concealing LED optic assembly and minimizing glare • LEDs are concealed by high transmission diffusing lens • Retention bar holds scoop assembly to trim • White or black baffle available.

**Aesthetic Trim Selections** Low profile scoop wall wash trim • Shadow free, knife edge design blends seamlessly into ceiling.

**LED Driver** Choice of dedicated 120 volt driver or universal voltage driver that accommodates input voltages from 120-277 volts AC at 50/60Hz • Power factor > 0.9 at 120V input • 120 volt only driver is dimmable with the use of most incandescent, magnetic low voltage and electronic low voltage wall box dimmers • Universal voltage driver is dimmable with the use of most 0-10V wall box dimmers • For a list of compatible dimmers, see [JUNOLEDG3-DIM](#) • Mounted between the j-box and housing for easy access and cool operation.

**Life** Rated for 50,000 hours at 70% lumen maintenance.

**Labels** UL listed for U.S. and Canada through-branch wiring, damp locations • Union made • UL and cUL.

**Testing** All reports are based on published industry procedures; field performance may differ from laboratory performance.

Product specifications subject to change without notice.

#### HOUSING FEATURES

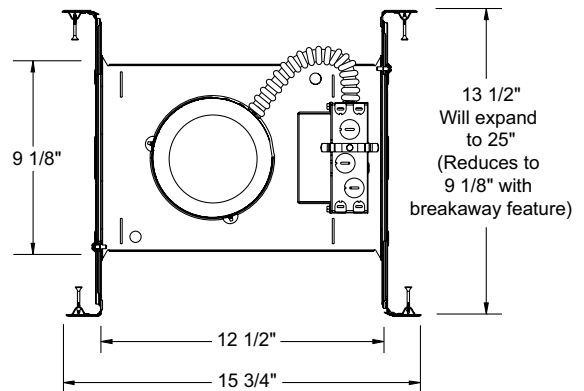
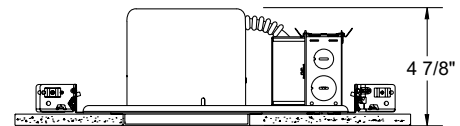
**Housing** Designed for use in IC (insulated ceiling) or non-IC construction • Aluminum housing sealed for Air-Loc® compliance • Housing is vertically adjustable to accommodate up to a 2" ceiling thickness.

**Junction Box** Pre-wired junction box provided with (5) ½" knockouts, (4) knockouts for 12/2 or 14/2 NM cable and ground wire • UL listed and cUL listed for through-branch wiring, maximum 8 #12 branch circuit conductors • Junction box provided with removable access plates • Knockouts equipped with pryout slots • Quick connect electrical connectors supplied as standard for fast, secure installation.

**Mounting Frame** 22-gauge die-formed galvanized steel mounting frame • Rough-in section (junction box, mounting frame, housing and bar hangers) fully assembled for ease of installation.

**Real Nail 3 Bar Hangers** Telescoping Real Nail 3® system permits quick placement of housing anywhere within 24" O.C. joists or suspended ceilings • Includes removable nail for repositioning of fixture in wood joist construction • Integral T-bar notch and clip for suspended ceilings • Design covered under Patents US5,505,419 and D552,969.

#### DIMENSIONS



5 5/8" CEILING CUTOUT

#### ELECTRICAL DATA

##### Dedicated 120V Only Driver Option

120V	
Input Power	14.6W (+/-5%)
Input Current - Max	0.14A
Frequency	50/60Hz
EMI/RFI	FCC Title 47 CFR, Part 18 Class B (consumer)
Minimum starting temp	-20°C

#### ELECTRICAL DATA

##### Universal Voltage

	120V	277V
Input Power	15.8W (+/-5%)	16.1W (+/-5%)
Input Current - Max	0.145A	0.064A
Frequency	50/60Hz	50/60Hz
EMI/RFI	FCC Title 47 CFR, Part 15 Class A (non-consumer)	FCC Title 47 CFR, Part 15 Class A (non-consumer)
Minimum starting temp	-40°C	-40°C

\* Nominal input wattage @ 120-volt operation with dedicated 120-volt driver under stable operating conditions.

# 5" IC 900 LUMEN LED DOWNLIGHT NEW CONSTRUCTION

IC920LEDG3 RECESSED HOUSING

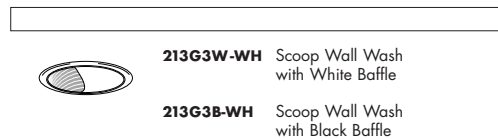
## WALL WASH TRIM

**ORDERING INFORMATION:** Housing, trim and accessories each ordered separately.

Example: **IC920LEDG3-3K-1**

Housing	Color Temperature	Input Voltage
IC920LEDG3	<b>27K</b> 2700K <b>3K</b> 3000K <b>35K</b> 3500K <b>41K</b> 4100K	<b>1</b> Dedicated 120V Only (Forward Phase + ELV dimmable)  <b>U</b> Universal Voltage, 120-277V (0-10V dimmable)

Example: **213G3W-WH**

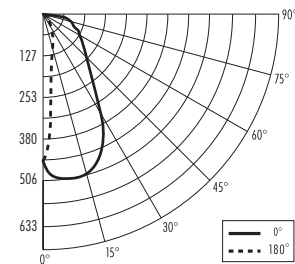


Trim Size: 6 1/4" O.D.  
Trim Finish: WH - White.

Note: In Canada, when insulation is present, Type IC fixtures must be used

### PHOTOMETRIC REPORT

Test Report #: PT10112701  
 Catalog No: IC920LEDG3-35K with 213G3W-WH Trim  
 Luminaire Spacing Criterion @ 90°: 1.00  
 Luminaire: 5" IC LEDG3 Downlight, Scoop Type Wall Wash Trim



### CANDLEPOWER DISTRIBUTION (Candelas)

Degrees	0° Vertical	180° Wall Wash	180° Downlight
0	446	446	446
5	493	318	318
10	506	188	188
15	501	130	130
20	478	102	102
25	434	83	83
30	369	65	65
35	276	52	52
40	189	41	41
45	144	33	33
50	118	30	30
55	102	25	25
60	90	19	19
65	79	13	13
70	68	8	8
75	49	2	2
80	30	0	0
85	18	0	0
90	0	0	0

Multiplier: 27K - 0.90, 3K - 0.97, 41K - 1.04

### ZONAL LUMEN SUMMARY

Zone	Lumens	%Lamp	%Fixture
0-30°	260	N/A	47.1
0-40°	366	N/A	66.3
0-60°	485	N/A	88.0
0-90°	551	N/A	100.0
90-180°	0	N/A	0
0-180°	551	N/A	100.0

### LUMINANCE (Average cd/m²)

Degrees	Average 180° Downlight Luminance
45	3722
55	3374
65	2380
75	598
85	0

### FOOTCANDLES ON WALL FROM MULTIPLE FIXTURES

Fixture Distance to Wall	2'			3'								
	2'	3'	4'	3'	4'	5'						
1'	22	20	22	17	11	17	8	7	8	7	5	7
2'	22	20	22	16	12	16	10	10	10	8	7	8
3'	22	21	22	17	13	17	10	9	10	8	7	8
4'	19	19	19	13	13	13	10	9	10	8	7	8
5'	15	15	15	10	10	10	10	10	10	8	7	8
6'	12	12	12	8	8	8	9	9	9	6	7	6
7'	9	9	9	6	6	6	8	8	8	6	6	6
8'	7	7	7	5	5	5	6	6	6	5	5	5
9'	6	6	6	4	4	4	5	5	5	4	4	4

\*For 213G3B-WH trim, use 0.84 multiplier.

\*Note: Multipliers are provided for estimating purposes only. Use IES photometric files for precise photometric information.

