

JUNO®

Project: _____

Fixture Type: _____

Location: _____

Contact/Phone: _____

5" IC 900 LUMEN LED DOWNLIGHT NEW CONSTRUCTION

IC920LEDG3 RECESSED HOUSING

OPEN TRIMS



PRODUCT DESCRIPTION

Dedicated LED, Air-Loc® sealed new construction housing with integral light engine • Shallow housing allows for fit in 2 x 6 construction • Can be completely covered with insulation • Fully sealed housing stops infiltration and exfiltration of air, reducing heating and air cooling costs without the use of additional gaskets • LED housing is designed to provide 50,000 hours of life and is compatible with many standard Juno trims • 5 year limited warranty on LED components.

ENVIRONMENTALLY FRIENDLY, ENERGY EFFICIENT

- No harmful ultraviolet or infrared wavelengths
- No lead or mercury
- Comparable light output to 75W PAR30 incandescent while consuming less than 15W*



PRODUCT SPECIFICATIONS

LED Light Engine LED array integrated to one piece high purity aluminum, thermally conductive housing provides uninterrupted heat transfer to ensure long life of the LED • Replaceable light engine mounts directly to housing and incorporates the latest generation, high lumen output LED array • LEDs are binned to standards that exceed ENERGY STAR® requirements yielding superior fixture to fixture color uniformity • 2700K, 3000K, 3500K, or 4100K color temperatures available • 83 CRI typical.

Optical System Computer-optimized reflector design with high reflectance white finish coupled with a high transmission diffusing lens conceals the LEDs and produces uniform aperture luminance • Deep regression of lens produces a low glare, efficient system that produces 900 lumens typical with select trims (see page 2 for details) using less than 15W* • Wide flood distribution shipped as standard with optional optic accessories available and sold separately.

Aesthetic Trim Selections Compatible with wide selection of existing Juno trims • Shadow free, knife edge design blends seamlessly into ceiling.

LED Driver Choice of dedicated 120 volt driver or universal voltage driver that accommodates input voltages from 120-277 volts AC at 50/60Hz • Power factor > 0.9 at 120V input • 120 volt only driver is dimmable with the use of most incandescent, magnetic low voltage and electronic low voltage wall box dimmers • Universal voltage driver is dimmable with the use of most 0-10V wall box dimmers • For a list of compatible dimmers, see JUNOLEDG3-DIM • Mounted between the junction box and housing for easy access and cool operation.

Life Rated for 50,000 hours at 70% lumen maintenance.

Labels ENERGY STAR® qualified to luminaires V1.1 requirements when used with select baffle and cone trims • Certified to the high efficiency requirements of California T24-2008 with select trims • UL listed for U.S. and Canada through-branch wiring, damp locations • Union made • UL and cUL.

Testing All reports are based on published industry procedures; field performance may differ from laboratory performance. Product specifications subject to change without notice.

HOUSING FEATURES

Housing Designed for use in IC (insulated ceiling) or non-IC construction • Aluminum housing sealed for Air-Loc® compliance • Housing is vertically adjustable to accommodate up to a 2" ceiling thickness.

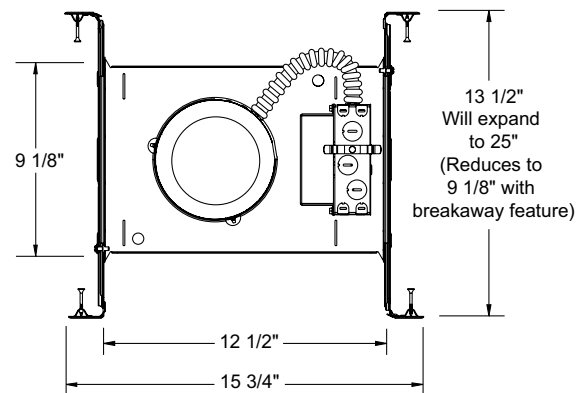
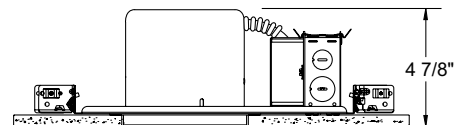
Junction Box Pre-wired junction box provided with (5) 1/2" and (1) 3/4" knockouts, (4) knockouts for 12/2 or 14/2 NM cable and ground wire • UL listed and cUL listed for through-branch wiring, maximum 8 #12 branch circuit conductors • Junction box provided with removable access plates • Knockouts equipped with pryout slots • Quick connect electrical connectors supplied as standard for fast, secure installation.

Mounting Frame 22-gauge die-formed galvanized steel mounting frame • Rough-in section (junction box, mounting frame, housing and bar hangers) fully assembled for ease of installation.

Real Nail 3 Bar Hangers Telescoping Real Nail 3® system permits quick placement of housing anywhere within 24" O.C. joists or suspended ceilings • Includes removable nail for repositioning of fixture in wood joist construction • Integral T-bar notch and clip for suspended ceilings • Design covered under Patents US5,505,419 and D552,969.

* Nominal input wattage @ 120-volt operation with dedicated 120-volt driver under stable operating conditions.

DIMENSIONS



5 5/8" CEILING CUTOUT

ELECTRICAL DATA

Dedicated 120V Only Driver Option

120V	
Input Power	14.6W (+/-5%)
Input Current - Max	0.14A
Frequency	50/60Hz
EMI/RFI	FCC Title 47 CFR, Part 18 Class B (consumer)
Minimum starting temp	-20°C

ELECTRICAL DATA

Universal Voltage



	120V	277V
Input Power	15.8W (+/-5%)	16.1W (+/-5%)
Input Current - Max	0.145A	0.064A
Frequency	50/60Hz	50/60Hz
EMI/RFI	FCC Title 47 CFR, Part 15 Class A (non-consumer)	FCC Title 47 CFR, Part 15 Class A (non-consumer)
Minimum starting temp	-40°C	-40°C

5" IC 900 LUMEN LED DOWNLIGHT NEW CONSTRUCTION

IC920LEDG3 RECESSED HOUSING

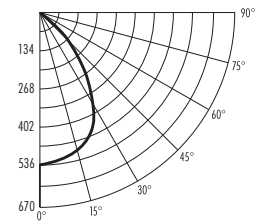
OPEN TRIMS

ORDERING INFORMATION: Housing, trim and accessories each ordered separately.

Example: IC920LEDG3-3K-1			Example: 205W-WH		
Housing	Color Temperature	Input Voltage	Trim/Description		
IC920LEDG3	27K 2700K 3K 3000K 35K 3500K 41K 4100K	1 Dedicated 120V Only (Forward Phase + ELV dimmable) U Universal Voltage, 120-277V (0-10V dimmable)	 <p>205W-WH¹ White Baffle 205B-WH^{1,2} Black Baffle 205B-SC^{1,2} Black Baffle 205B-ABZ^{1,2} Black Baffle</p>  <p>204C-WH⁴ Cone in Clear Alzak® 204G-WH⁵ Cone in Gold Alzak® 204B-WH^{1,3,6} Cone in Black Alzak® 204PT-SC³ Cone in Pewter Alzak® 204W-WH³ Cone in Gloss White 204HZ-WH³ Cone in Haze 204WHZ-WH³ Cone in Wheat Haze 204WHZ-ABZ³ Cone in Wheat Haze</p>		
ACCESSORIES			Trim Size: 6 1/4" O.D. Trim Finish: ABZ - Classic Aged Bronze, SC - Satin Chrome, WH - White. Alzak is a registered trademark of Alcoa Corp. Note: In Canada when insulation is present, Type IC fixtures must be used.		
Catalog No.	Description				
LEDOPTICG3-M	Medium Flood Optic (50°)				
LEDOPTICG3-N	Narrow Flood Optic (37°)				
LEDOPTICG3-S	Spot Optic (10°)				
To order, specify catalog number.					

PHOTOMETRIC REPORT

Test Report #: LTL25985R
 Catalog No: IC920LEDG3-35K
 with 205W-WH Trim
 and standard wide flood optic
 Luminaire Spacing Criterion: 1.10
 Luminaire LPW: 56



CANDLEPOWER DISTRIBUTION (Candelas)

Degrees Vertical	0°
0	536
5	534
15	511
25	441
35	299
45	142
55	76
65	42
75	25
85	6
90	0

Multiplier: 27K - 0.90
 3K - 0.97
 41K - 1.04

AVERAGE INITIAL FOOTCANDLES

Multiple Units (Square Array, 60'x60' room)
 Ceiling 80% Wall 50% Floor 20%

Spacing	RCR1	RCR3	RCR5
4.0'	57	48	41
5.0'	37	31	26
6.0'	26	21	18
7.0'	21	17	15
8.0'	16	14	12
9.0'	13	10	9
10.0'	9	8	7

INITIAL FOOTCANDLES (One Unit, 14.9W, 73.3° Beam)

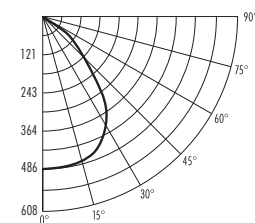
Distance to Illuminated Plane (Feet)	Footcandles Beam Center	Beam Diameter
4	33.5	6.0'
6	14.9	8.9'
8	8.4	11.9'
10	5.4	14.9'

LUMINANCE (Average cd/m²)

Degrees	Average Luminance
45	20608
55	13605
65	10197
75	9807
85	6956

PHOTOMETRIC REPORT

Test Report #: LTL25984R
 Catalog No: IC920LEDG3-35K
 with 204C-WH Trim
 and standard wide flood optic
 Luminaire Spacing Criterion: 1.24
 Luminaire LPW: 60



CANDLEPOWER DISTRIBUTION (Candelas)

Degrees Vertical	0°
0	486
5	483
15	465
25	437
35	357
45	194
55	100
65	48
75	8
85	0
90	0

Multiplier: 27K - 0.90
 3K - 0.97
 41K - 1.04

AVERAGE INITIAL FOOTCANDLES

Multiple Units (Square Array, 60'x60' room)
 Ceiling 80% Wall 50% Floor 20%

Spacing	RCR1	RCR3	RCR5
4.0'	62	52	44
5.0'	40	33	28
6.0'	28	23	20
7.0'	22	19	16
8.0'	18	15	13
9.0'	13	11	10
10.0'	10	8	7

INITIAL FOOTCANDLES (One Unit, 14.9W, 83.6° Beam)

Distance to Illuminated Plane (Feet)	Footcandles Beam Center	Beam Diameter
4	30.4	7.2'
6	13.5	10.7'
8	7.6	14.3'
10	4.9	17.9'

LUMINANCE (Average cd/m²)

Degrees	Average Luminance
45	26653
55	16955
65	11047
75	3122
85	0

Fixtures tested to IES recommended standard for solid state lighting per LM-79-08. Photometric performance on a single unit represents a baseline of performance for the fixture. Results may vary in the field.

