

JUNO®

Project: _____

Fixture Type: _____

Location: _____

Contact/Phone: _____

5" IC 900 LUMEN LED DOWNLIGHT NEW CONSTRUCTION

IC920LEDG3 RECESSED HOUSING LENSED TRIMS

PRODUCT DESCRIPTION

Dedicated LED, Air-Loc® sealed new construction housing with integral light engine • Shallow housing allows for fit in 2 x 6 construction • Can be completely covered with insulation • Fully sealed housing stops infiltration and exfiltration of air, reducing heating and air cooling costs without the use of additional gaskets • LED housing is designed to provide 50,000 hours of life and is compatible with many standard Juno trims • 5 year limited warranty on LED components.

ENVIRONMENTALLY FRIENDLY, ENERGY EFFICIENT

- No harmful ultraviolet or infrared wavelengths
- No lead or mercury
- Comparable light output to 75W PAR30 incandescent while consuming less than 15W*



PRODUCT SPECIFICATIONS

LED Light Engine LED array integrated to one piece high purity aluminum, thermally conductive housing provides uninterrupted heat transfer to ensure long life of the LED • Replaceable light engine mounts directly to housing and incorporates the latest generation, high lumen output LED array • LEDs are binned to standards that exceed ENERGY STAR® requirements yielding superior fixture to fixture color uniformity • 2700K, 3000K, 3500K, or 4100K color temperatures available • 83 CRI typical.

Optical System Computer-optimized reflector design with high reflectance white finish coupled with a high transmission diffusing lens conceals the LEDs and produces uniform aperture luminance • Wide flood distribution shipped as standard with optional optic accessories available and sold separately.

Aesthetic Trim Selections Compatible with wide selection of existing Juno trims • Shadow free, knife edge design blends seamlessly into ceiling. • Trims are wet location approved for covered applications.

LED Driver Choice of dedicated 120 volt driver or universal voltage driver that accommodates input voltages from 120-277 volts AC at 50/60Hz • Power factor > 0.9 at 120V input • 120 volt only driver is dimmable with the use of most incandescent, magnetic low voltage and electronic low voltage wall box dimmers • Universal voltage driver is dimmable with the use of most 0-10V wall box dimmers • For a list of compatible dimmers, see JUNOLEDG3-DIM • Mounted between the j-box and housing for easy access and cool operation.

Life Rated for 50,000 hours at 70% lumen maintenance.

Labels UL listed for U.S. and Canada through-branch wiring, wet locations (covered ceilings) • Union made • UL and cUL.

Testing All reports are based on published industry procedures; field performance may differ from laboratory performance.

Product specifications subject to change without notice.

HOUSING FEATURES

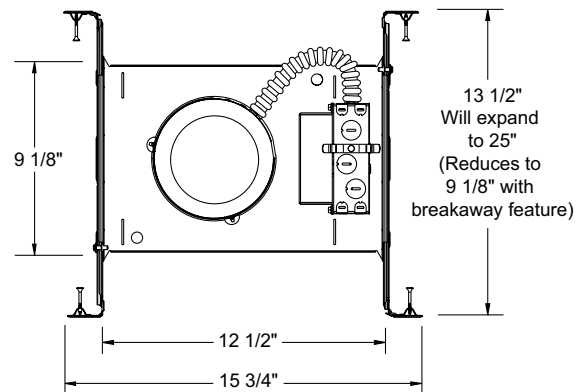
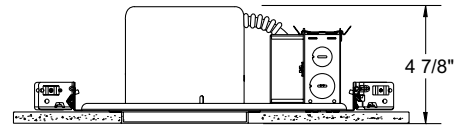
Housing Designed for use in IC (insulated ceiling) or non-IC construction • Aluminum housing sealed for Air-Loc® compliance • Housing is vertically adjustable to accommodate up to a 2" ceiling thickness.

Junction Box Pre-wired junction box provided with (5) ½" and (1) ¾" knockouts, (4) knockouts for 12/2 or 14/2 NM cable and ground wire • UL listed and cUL listed for through-branch wiring, maximum 8 #12 branch circuit conductors • Junction box provided with removable access plates • Knockouts equipped with pryout slots • Quick connect electrical connectors supplied as standard for fast, secure installation.

Mounting Frame 22-gauge die-formed galvanized steel mounting frame • Rough-in section (junction box, mounting frame, housing and bar hangers) fully assembled for ease of installation.

Real Nail 3 Bar Hangers Telescoping Real Nail 3® system permits quick placement of housing anywhere within 24" O.C. joists or suspended ceilings • Includes removable nail for repositioning of fixture in wood joist construction • Integral T-bar notch and clip for suspended ceilings • Design covered under Patents US5,505,419 and D552,969.

DIMENSIONS



5 5/8" CEILING CUTOUT

ELECTRICAL DATA

Dedicated 120V Only Driver Option

120V	
Input Power	14.6W (+/-5%)
Input Current - Max	0.14A
Frequency	50/60Hz
EMI/RFI	FCC Title 47 CFR, Part 18 Class B (consumer)
Minimum starting temp	-20°C

ELECTRICAL DATA

Universal Voltage

	120V	277V
Input Power	15.8W (+/-5%)	16.1W (+/-5%)
Input Current - Max	0.145A	0.064A
Frequency	50/60Hz	50/60Hz
EMI/RFI	FCC Title 47 CFR, Part 15 Class A (non-consumer)	FCC Title 47 CFR, Part 15 Class A (non-consumer)
Minimum starting temp	-40°C	-40°C

* Nominal input wattage @ 120-volt operation with dedicated 120-volt driver under stable operating conditions.

5" IC 900 LUMEN LED DOWNLIGHT NEW CONSTRUCTION

IC920LEDG3 RECESSED HOUSING LENSED TRIMS

ORDERING INFORMATION: Housing, trim and accessories each ordered separately.

Example: **IC920LEDG3-3K-1**

Housing	Color Temperature	Input Voltage
IC920LEDG3	27K 2700K 3K 3000K 35K 3500K 41K 4100K	1 Dedicated 120V Only (Forward Phase + ELV dimmable) U Universal Voltage, 120-277V (0-10V dimmable)

Example: **2130W-WH**

Trim/Description
 210N-WH * 210N-SC * 210N-ABZ *
 212N-WH * 212N-SC * 212N-ABZ *
 2130W-WH * 2130B-WH *
 5101-ABZ * 5101-SC * 5101-WH *

ACCESSORIES

Catalog No.	Description
LEDOPTICG3-M	Medium Flood Optic (50°)
LEDOPTICG3-N	Narrow Flood Optic (37°)
LEDOPTICG3-S	Spot Optic (10°)

To order, specify catalog number.

UL Listed for use in wet location.

* Do not use reflector shipped with trim for LED housing.

Trim Size: 210, 212, 2130 - 6¼" O.D.; 5101 - 6½" O.D.

Trim Finish: ABZ - Classic Aged Bronze, SC - Satin Chrome, WH - White

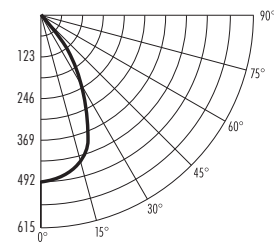
Note: In Canada when insulation is present, Type IC fixtures must be used.

Air-Loc JUNO IC housings meet IECC Energy Code requirements per ASTM E283.

Air-Loc® rated trims are pre-gasketed for minimum air leakage with IC housings.

PHOTOMETRIC REPORT

Test Report #: PT10112703
 Catalog No: IC920LEDG3-35K
 with 210-WH Trim
 and standard wide flood optic
 Luminaire Spacing Criterion: 0.92
 Luminaire LPW: 39



CANDLEPOWER DISTRIBUTION (Candelas)

Degrees	Candelas
Vertical	0°
0	492
5	487
15	434
25	322
35	171
45	84
55	44
65	25
75	13
85	3
90	0

Multiplier: 27K - 0.90
 3K - 0.97
 41K - 1.04

AVERAGE INITIAL FOOTCANDLES

Multiple Units (Square Array, 60'x60' room)
 Ceiling 80% Wall 50% Floor 20%

Spacing	RCR1	RCR3	RCR5
4.0'	39	33	28
5.0'	25	21	18
6.0'	17	15	13
7.0'	14	12	10
8.0'	11	9	8
9.0'	9	7	6
10.0'	6	5	5

ZONAL LUMEN SUMMARY

Zone	Lumens	%Lamp	%Fixture
0-30°	313	N/A	54.8
0-40°	422	N/A	73.9
0-60°	529	N/A	92.7
0-90°	571	N/A	100.0

INITIAL FOOTCANDLES (One Unit, 14.7W, 59.9° Beam)

Distance to Illuminated Plane (Feet)	Footcandles Beam Center	Beam Diameter
4	30.8	4.6'
6	13.7	6.9'
8	7.7	9.2'
10	4.9	11.5'

LUMINANCE (Average cd/m²)

Degrees	Average Luminance
45	9304
55	6073
65	4579
75	3888
85	2664

Fixtures tested to IES recommended standard for solid state lighting per LM-79-08. Photometric performance on a single unit represents a baseline of performance for the fixture. Results may vary in the field.

