

JUNO

Project: _____

Fixture Type: _____

Location: _____

Contact/Phone: _____

5" BASICS SERIES™ LED RETROFIT ADJUSTABLE TRIM

ADJUSTABLE RETROFIT FOR STANDARD 5" RECESSED HOUSINGS

**5RLA 650L****PRODUCT DESCRIPTION**

Energy efficient LED retrofit adjustable trim fits into standard 5" IC or non-IC recessed housings • Replaces 65W incandescent lamp, producing over 650 lumens • Adjustable gimbal design allows for up to 35° vertical aiming, rotates 359° • Dimmable with most standard incandescent, magnetic low voltage and electronic low voltage dimmers

- LED retrofit module is designed to provide 36,000 hours of life
- 5 year warranty

PRODUCT SPECIFICATIONS

LED Adjustable Retrofit Trim Cast aluminum trim with white gimbal and flange • All-in-one design where LED light engine mounts directly to trim for ease of installation into existing 5" recessed housings with medium base sockets • Up to 35° vertical adjustment, rotates 359° • Provided with torsion springs.

LED Light Engine LEDs are mounted directly to cast aluminum housing providing superior thermal management to ensure long life • 2700K or 3000K LED color temperature • 90 CRI minimum • Accommodates 120 volts AC at 60Hz • Dimmable with most standard incandescent, magnetic low voltage and electronic low voltage dimmers • For a list of compatible dimmers, see [JUNORETROBASICS-DIM](#).

Electrical Connections Trim features quick connect plug installed as standard for installation into IC20-LEDT24 and IC20R-LEDT24 housings with mating connector • Trim ships with a medium base socket adapter whip for installation into 5" incandescent housings with medium base sockets.

Optical System Trims are offered with choice of 25° narrow flood or 70° wide flood beam patterns • LED source concealed with lensed optic.

Life Rated for 36,000 hours at 70% lumen maintenance.

Labels ENERGY STAR® Qualified • Certified to the high efficacy requirements of California T24 • UL and cUL classified for use with most standard UL listed 5" recessed incandescent housings and Juno IC20-LEDT24 and IC20R-LEDT24; see below for specific compatibility requirements • Damp location.

Testing All reports are based on published industry procedures; field performance may differ from laboratory performance.

Product specifications subject to change without notice.

INSTALLATION

The LED retrofit adjustable trim is provided with torsion springs as standard.

COMPATIBLE HOUSINGS

The 5RLA retrofit module is compatible with most 5" recessed housings measuring at least 4" high with an inside diameter between 5" and 5-3/4". Removal of the housing socket plate or socket mounting bracket may be required in order for the trim to fit properly.

Compatible housings include, but not limited to:

Juno housings: IC20, IC25 and TC20 Series

Juno quick-connect LED housings: [IC20-LEDT24](#) and [IC20R-LEDT24](#)

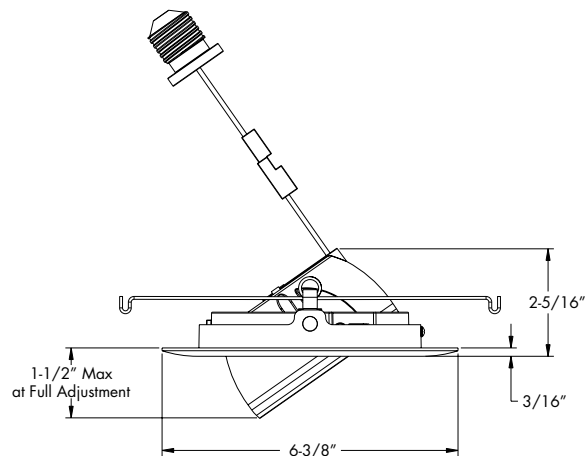
VuLite® housings: V5IC and V5TC Series

Lithonia® housings: L5 Series

Halo® housings: H5 Series

Thomas® housings: PS5 and CR5 Series

Capri® housings: QL5 Series

**DIMENSIONS****PRODUCT CODES**

Catalog Number	Description
5RLA-927-6-N-WH	5" LED retrofit adjustable trim, 2700K, Narrow Flood
5RLA-927-6-W-WH	5" LED retrofit adjustable trim, 2700K, Wide Flood
5RLA-930-6-N-WH	5" LED retrofit adjustable trim, 3000K, Narrow Flood
5RLA-930-6-W-WH	5" LED retrofit adjustable trim, 3000K, Wide Flood

PERFORMANCE DATA

	27K	3K
Input Voltage	120V	120V
Input Power Typical	10.5W	10.5W
Frequency	60Hz	60Hz
EMI/RFI	FCC Title 47, Part 15 Class B (consumer)	FCC Title 47, Part 15 Class B (consumer)
Minimum starting temp	-30°C (-22°F)	-30°C (-22°F)
CRI	90 min.	90 min.
CCT	2700K	3000K

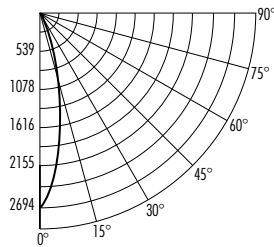
5" BASICS SERIES™ LED RETROFIT ADJUSTABLE TRIM

ADJUSTABLE RETROFIT FOR STANDARD 5" RECESSED HOUSINGS

5RLA 650L

PHOTOMETRIC REPORT

Test Report#: PT11150301R
 Catalog No: 5RLA-927-6-N-WH
 Luminaire Spacing Criteria: 0.40
 Luminaire LPW: 67



CANDLEPOWER DISTRIBUTION (Candelas)

Degrees Vertical	0°
0	2694
5	2349
15	894
25	258
35	94
45	37
55	18
65	10
75	5
85	1
90	0

Multiplier: 3K · 1.03

AVERAGE INITIAL FOOTCANDLES Multiple Units (Square Array, 60'x60' room)

Ceiling 80%, Walls 50%, Floors 20%

Spacing	RCR1	RCR3	RCR5
4'	49	43	39
5'	31	28	25
6'	22	19	17
7'	18	16	14
8'	14	12	11
9'	11	9	9
10'	8	7	6

ZONAL LUMEN SUMMARY

Zone	Lumens	%Lamp	%Fixture
0-30°	576	N/A	82.4
0-40°	637	N/A	91.0
0-60°	683	N/A	97.7
0-90°	699	N/A	100.0

INITIAL FOOTCANDLES (One Unit: 10.5W, 23.2° Beam)

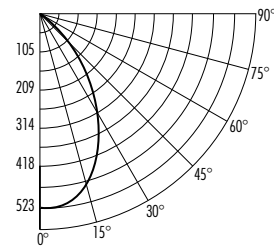
Distance to Illuminated Plane (Feet)	Footcandles Beam Center	Beam Diameter
4'	168.4	1.6
6'	74.8	2.5
8'	42.1	3.3
10'	26.9	4.1

LUMINANCE (Average cd/m²)

Angle in Degrees	Average 0-90°
45°	11594
55°	6920
65°	5235
75°	4190
85°	1493

PHOTOMETRIC REPORT

Test Report#: PT11150302R
 Catalog No: 5RLA-927-6-W-WH
 Luminaire Spacing Criteria: 1.04
 Luminaire LPW: 67



CANDLEPOWER DISTRIBUTION (Candelas)

Degrees Vertical	0°
0	523
5	521
15	494
25	409
35	243
45	107
55	53
65	28
75	13
85	2
90	0

Multiplier: 3K · 1.03

AVERAGE INITIAL FOOTCANDLES Multiple Units (Square Array, 60'x60' room)

Ceiling 80%, Walls 50%, Floors 20%

Spacing	RCR1	RCR3	RCR5
4'	47	40	33
5'	30	25	21
6'	21	18	15
7'	17	14	12
8'	13	11	9
9'	10	9	7
10'	8	6	5

ZONAL LUMEN SUMMARY

Zone	Lumens	%Lamp	%Fixture
0-30°	374	N/A	53.1
0-40°	525	N/A	74.7
0-60°	658	N/A	93.6
0-90°	703	N/A	100.0

INITIAL FOOTCANDLES (One Unit: 10.5W, 68.1° Beam)

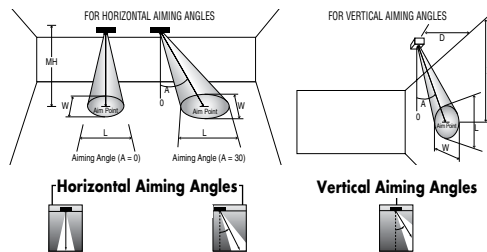
Distance to Illuminated Plane (Feet)	Footcandles Beam Center	Beam Diameter
4'	32.7	5.4
6'	14.5	8.1
8'	8.2	10.8
10'	5.2	13.5

LUMINANCE (Average cd/m²)

Angle in Degrees	Average 0-90°
45°	33157
55°	20192
65°	14318
75°	11145
85°	5723

CBCP • Centerbeam candlepower
FC • Footcandles at beam center (aim point)

In vertical aiming applications, aim point (X) is determined by dividing distance from the wall (D) by the tangent of the desired aim angle (A) (0.5774 for 30°, 1.0 for 45°).



FIXTURE	Beam Type	Beam Spread ^a	CBCP	0°				30°			30°				
				MH	FC	L	W	FC	L	W	D	FC	X	L	W
With Wide Flood Optic	W	70°	523	3	58	4.2	4.2	38	6.7	4.9	1	65	1.7	*	2.8
				4	33	5.6	5.6	21	8.9	6.5	2	16	3.5	*	5.6
				5	21	7.0	7.0	14	11.2	8.1	3	7	5.2	*	8.4
				6	15	8.4	8.4	9	13.4	9.7	4	4	6.9	*	11.2
				7	11	9.8	9.8	7	15.6	11.3	5	3	8.7	*	14.0
With Narrow Flood Optic	N	25°	2694	3	299	1.3	1.3	194	1.8	1.5	1	337	1.7	2.1	0.9
				4	168	1.8	1.8	109	2.4	2.0	2	84	3.5	4.2	1.8
				5	108	2.2	2.2	70	3.0	2.6	3	37	5.2	6.2	2.7
				6	75	2.7	2.7	49	3.6	3.1	4	21	6.9	8.3	3.5
				7	55	3.1	3.1	36	4.2	3.6	5	13	8.7	10.4	4.4

*Covers full length of wall based on typical mounting heights of 8-12 feet.

