

**new**



## Description

IC rated, energy efficient Air-Loc® sealed shallow housing is ideal solution where vertical installation space is limited • Can be completely covered with insulation • Air-Loc installation stops infiltration and exfiltration of air, reducing heating and cooling costs

## Listings

UL and C-UL listed for through-branch wiring, damp and wet locations • Wet location listed with the 212 trim • The listing also includes the 275 and 276 trims, only when used with outdoor rated PAR lamps • Washington State IECC and MEC energy codes as tested per ASTM-E283 • Conforms with City of Chicago IP requirements

## Ordering Information

Catalog Number: **IC25**  
 Catalog Number: **IC25W** - IC25 with push-in electrical connectors for fast, secure installation  
 Catalog Number: **IC25S** - IC25 with smaller footprint bar hanger (Real Nail® 2)

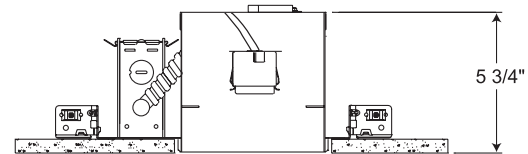
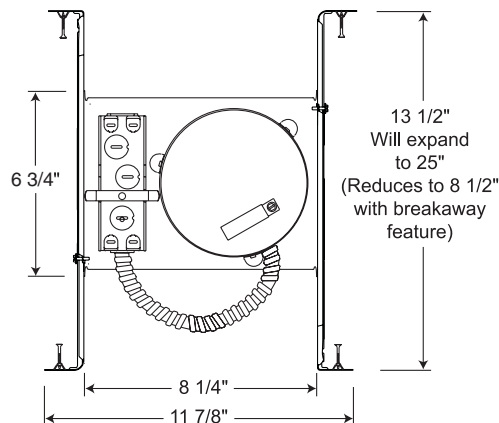
## Features

- 5" Shallow Universal IC Housing
- 5 3/4" height for use in 2 x 6 construction
- Floating socket with spring for quick trim attachment and consistent lamp positioning
- Medium base porcelain socket with nickel-plated copper screw shell
- Housing is vertically adjustable to accommodate up to a 1" ceiling thickness
- Real Nail® 3 bar hangers: telescoping system with pre-installed removable nail for easy repositioning of housing in joist construction • Integral T-bar mounting feature for secure installation in suspended ceilings
- Housing is fully assembled for ease of installation
- Pre-wired junction box with (5) 1/2" and (1) 3/4" knockouts with pryout slots, (4) non-metallic sheathed cable connectors, and ground wire
- UL/C-UL Listed for through-branch wiring, maximum (8) #12 AWG branch circuit conductors (4 in, 4 out)
- Thermally protected against improper use of lamps
- Shadow-free, knife-edge trim design blends smoothly into the ceiling and allows architectural continuity with Aculux® trims
- Lamp wattage ratings and apertures based on trim selection on pages 65C

## Accessories

Catalog Number	Description
<b>ALG5</b>	Air-Loc® Energy Conserving Gasket for 5" Air-Loc® IC housings

## Dimensions



**5 5/8" Ceiling Cutout**