

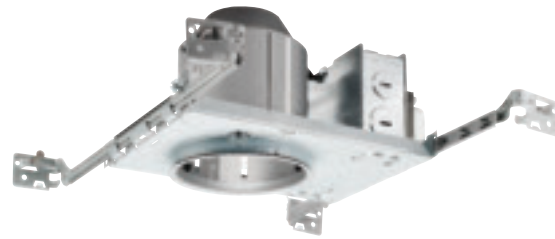
# TC44 Series 4" 50W MR16 Low Voltage Housing

Non-IC Rated



## Features

- 4" Housing
- Ceramic bi-pin socket with aluminum heat shield
- Housing is vertically adjustable to accommodate up to a 1 1/4" ceiling thickness
- Steel housing is fully assembled for ease of installation
- 120V to 12V 50VA thermally protected magnetic transformer
- May be dimmed using dimmers specifically designed for magnetic transformers
- Real Nail® 3 bar hangers: telescoping system with pre-installed removable nail for easy repositioning of housing in joist construction • Integral T-bar mounting feature for secure installation in suspended ceilings • Patented breakaway bars for tight joist spacing • Bar hangers may be re-positioned 90° • Curved foot facilitates alignment with joist bottom • Quick-Loc slot and oversized set screw lock fixture in position
- Pre-wired junction box with (5) 1/2" and (1) 3/4" knockouts with pryout slots, (4) non-metallic sheathed cable connectors, and ground wire
- Shadow-free, knife-edge trim design blends smoothly into the ceiling and allows architectural continuity with Aculux® trims
- UL Listed, C-UL/CSA certified for through-branch wiring, maximum (8) #12 AWG minimum 90° C branch circuit conductors (4 in, 4 out)
- Thermally protected against improper use of lamps or insulation
- MR16 lamp wattage ratings based on trim selection on pages 28-30



## Description

Non-IC rated low voltage housing • Designed to be installed in non-insulated areas, or where insulation is spaced at least 3" from housing

## Listings

UL Listed, C-UL/CSA certified for through-branch wiring, damp and wet locations • Wet location listed with trims 441, 4401, 4402 and 4481 • Conforms with City of Chicago IP requirements

## Ordering Information

Catalog Number: **TC44**

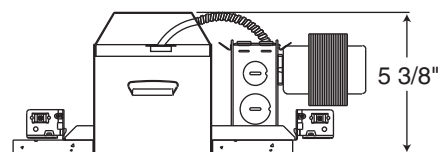
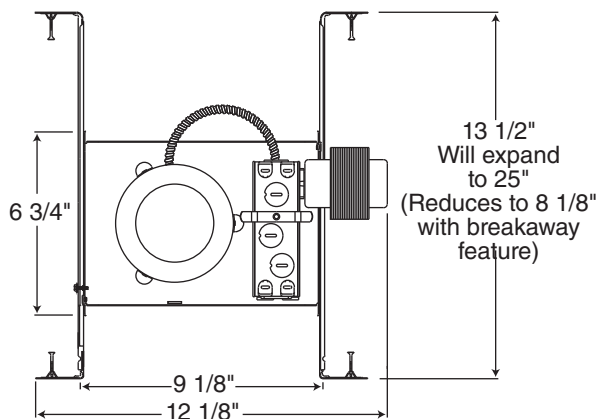
Catalog Number: **TC44V** - TC44 with 277V to 12V 50VA magnetic transformer

Catalog Number: **TC44S** - TC44 with smaller footprint bar hanger (Real Nail® 2)

## Accessories

Catalog Number	Description
<b>4TSA</b>	4" Housing Adaptor Converts original 4" housings for optimal retention of push-in style trims.

## Dimensions



4 1/2" Ceiling Cutout

