



Description

IC rated Air-Loc, energy efficient vertical CFL remodel housing for remodel applications where backside of ceiling is not accessible • Can be completely covered with insulation • When use with supplied ALG kit, stops infiltration and exfiltration of air, reducing heating and air cooling costs

Listings

UL and cUL Listed for damp and wet locations
 • Washington State, IECC and MEC energy codes as tested per ASTM-E283 • Energy Star® qualified, California Title 24 compliant • Wet location listed when used with 12, 4101 and 4102 trims

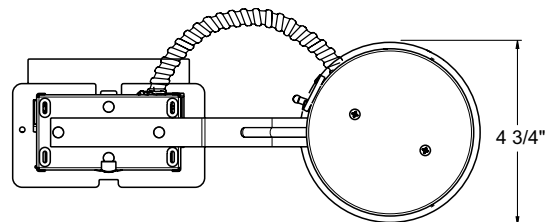
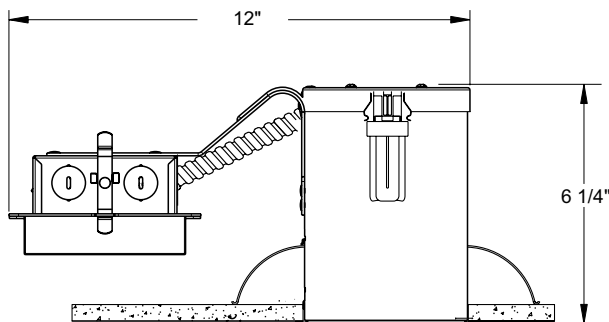
Features

- 4" Remodel Housing
- Energy Star® qualified, California Title 24 compliant
- 120V HPF rapid start electronic FCC Class B ballast with end-of-life lamp protection
- Ballast mounted to underside of J-box to minimize contact with insulation
- Fixed mounted socket attaches to top of housing
- Remodel clips accommodate up to a 1 1/8" ceiling thickness
- Fully assembled housing
- Pre-wired junction box with (5) 1/2" knockouts with pryout slots and (4) non-metallic sheathed cable connectors, and ground wire
- Shadow-free, knife-edge trim design blends smoothly into the ceiling and allows architectural continuity with Aculux® trims
- 2 year warranty
- One 18W triple tube (4-pin) CFL lamp with trim selection on page 45F-45G

Ordering Information

Catalog Number: **ICPL418RE** - 120V HPF ballast

Dimensions



4 3/8" Ceiling Cutout



JUNO LIGHTING GROUP
by Schneider Electric