

**JUNO**

# 2" LED ROUND ADJUSTABLE 600 LUMEN 2A Series

Project: \_\_\_\_\_

Fixture Type: \_\_\_\_\_

Location: \_\_\_\_\_

Contact/Phone: \_\_\_\_\_



## PRODUCT DESCRIPTION

2 inch aperture recessed adjustable is IC rated for insulated or non-insulated applications • Luminaire produces up to 600 lumens and is available with optical distributions approximating that of 50W MR16 halogen lamps • Low profile form factor allows luminaire to fit in 2 x 6 construction • Designed to provide 50,000 hours of life • 5 year limited warranty on LED Components.

## ENVIRONMENTALLY FRIENDLY, ENERGY EFFICIENT

- No harmful ultraviolet or infrared wavelengths
- No lead or mercury, RoHS compliant
- Comparable light output to a 50W MR16 halogen lamp

## PRODUCT SPECIFICATIONS

**LED Light Engine** Exceptional fixture to fixture color consistency within a 3-step MacAdam ellipse • 2700K, 3000K, 3500K, and 4100K color temperatures are available with 80 CRI or 90 CRI minimum.

**Modular Optics** Available with field interchangeable optics in 18° Spot, 24° Narrow Flood, or 40° Flood distributions • Gimbal provides up to 35° vertical aiming and 360° horizontal aiming.

**Aesthetic Trim** Trim features die cast beveled knife edge trim ring or frame for clean ceiling interface • Die cast gimbal style trims are available in white, black, satin nickel, or brushed bronze.

**LED Driver** Choice of dedicated 120 volt driver or universal voltage driver that accommodates input voltages from 120-277 volts AC at 50/60Hz • Power factor > 0.9 • Dedicated 120 volt driver (-1) is dimmable with the use of most incandescent, magnetic low voltage and electronic low voltage dimmers • Universal voltage driver (-U) is dimmable with the use of most 0-10V protocol dimmers • For a list of compatible dimmers, see [JUNO2INCH-DIM](#).

**Life** Rated for 50,000 hours at 70% lumen maintenance.

**Labels** ENERGY STAR® Qualified • 90CRI fixtures are certified to the high efficacy requirements of California T24 • Meets energy code Air Leakage requirements per ASTM E283 • UL listed for damp locations.

**Junction Box** Includes (2) ½" knock-outs equipped with pryout slots • Push-in electrical connectors for field connections.

**Mounting** Remodel style plaster frame installs from below the ceiling and accommodates ceiling thicknesses from ½" to 1" • For thicker ceilings up to 1 ½", order 2-JCTA150 • New Construction mounting frame, 2-NCMF, is also available with Real Nail 3® telescoping bar hangers to position fixture and locate wiring prior to ceiling installation.

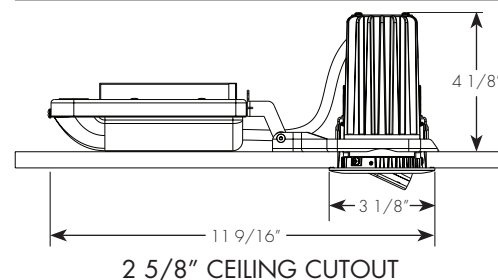
Product specifications subject to change without notice.



## Trim Finishes



## DIMENSIONS



## ENGINEERING DATA

	Dedicated 120V (-1)	Universal Voltage (-U)
Voltage	120	120 277
Input Power	10.1 (±5%)	9.7 9.8 (±5%)
Input Current	.09	.08 .04
Frequency	50/60Hz	50/60Hz
Power Factor	.94	.98 .98

# 2" LED ROUND ADJUSTABLE 600 LUMEN

## 2A Series

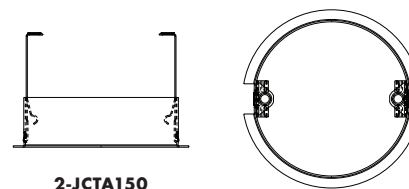
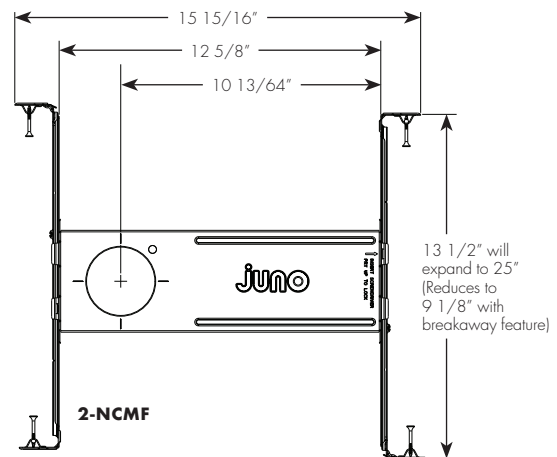
### ORDERING INFORMATION:

Example: **2A-927N1-WH**

Series	CRI/Color Temperature		Beam Optics		Drivers	Finish
<b>2A</b> Adjustable Gimbal	<b>827</b> 2700K, 80CRI	<b>927</b> 2700K, 90CRI	<b>S</b> 18° Spot	<b>N</b> 24° Narrow Flood	<b>1</b> Dedicated 120V Only (Forward Phase + ELV Dimmable)	<b>WH</b> White
	<b>830</b> 3000K, 80CRI	<b>930</b> 3000K, 90CRI	<b>F</b> 40° Flood		<b>U</b> Universal Voltage 120-277V (0-10V Dimmable)	<b>BL</b> Black
	<b>835</b> 3500K, 80CRI	<b>935</b> 3500K, 90CRI				<b>SN</b> Satin Nickel
	<b>841</b> 4100K, 80CRI	<b>941</b> 4100K, 90CRI				<b>BZ</b> Bronze

### ACCESSORIES

Catalog No.	Description
<b>2-NCMF</b>	New Construction Mounting Frame with Real Nail® 3 bar hangers
<b>2-JCTA150</b>	Thick Ceiling adapter for 1" - 1½" thick ceiling
<b>LEDOPTIC2-S</b>	18° Spot Optic
<b>LEDOPTIC2-N</b>	24° Narrow Flood Optic
<b>LEDOPTIC2-F</b>	40° Flood Optic



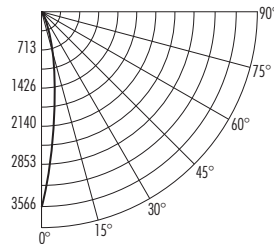
1300 S. Wolf Road • Des Plaines, IL 60018 • Phone (847) 827-9880 • Fax (847) 827-2925  
 220 Chrysler Drive • Brampton, Ontario • Canada L6S 6B6 • Phone (905) 792-7335 • Fax (905) 792-0064  
 Visit us at [www.junolightinggroup.com](http://www.junolightinggroup.com)

Printed in U.S.A. ©2014 Juno Lighting, LLC.

# 2" LED ROUND ADJUSTABLE 600 LUMEN 2A Series

### PHOTOMETRIC REPORT

Test Report#: PTO1142702R  
Catalog No: 2A-835S1-WH  
80 CRI, 3500K LED  
with Spot Optic  
Luminaire Spacing Criteria: 0.30  
Luminaire LPW: 66



### CANDLEPOWER DISTRIBUTION (Candelas)

Degrees Vertical	0°
0	3566
5	2744
15	850
25	226
35	80
45	28
55	12
65	7
75	4
85	2
90	0

### AVERAGE INITIAL FOOTCANDLES Multiple Units (Square Array, 60'x60' room)

Reflectances: Ceiling 80%, Wall 50%, Floor 20%

Spacing	RCR1	RCR3	RCR5
4'	46	41	38
5'	30	26	24
6'	21	18	17
7'	17	15	14
8'	13	12	11
9'	10	9	8
10'	7	7	6

### ZONAL LUMEN SUMMARY

Zone	Lumens	%Lamp	%Fixture
0-30°	564	N/A	85.3
0-40°	615	N/A	93.1
0-60°	649	N/A	98.1
0-90°	661	N/A	100.0

### INITIAL FOOTCANDLES (One Unit, 10W, 16.7° Beam)

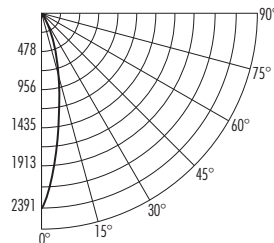
Distance to Illuminated Plane (Feet)	Footcandles Beam Center	Beam Diameter
4'	222.9	1.2
6'	99.1	1.8
8'	55.7	2.3
10'	35.7	2.9
12'	24.8	3.5

### LUMINANCE (Average cd/m<sup>2</sup>)

Degrees	Average Luminance
45°	37436
55°	20092
65°	15119
75°	14107
85°	17019

### PHOTOMETRIC REPORT

Test Report#: PTO1142703R  
Catalog No: 2A-835N1-WH  
80 CRI, 3500K LED  
with Narrow Flood Optic  
Luminaire Spacing Criteria: 0.40  
Luminaire LPW: 64



### CANDLEPOWER DISTRIBUTION (Candelas)

Degrees Vertical	0°
0	2391
5	2085
15	811
25	251
35	83
45	31
55	15
65	9
75	6
85	2
90	0

### AVERAGE INITIAL FOOTCANDLES Multiple Units (Square Array, 60'x60' room)

Reflectances: Ceiling 80%, Wall 50%, Floor 20%

Spacing	RCR1	RCR3	RCR5
4'	44	39	36
5'	28	25	23
6'	20	17	16
7'	16	14	13
8'	13	11	10
9'	10	9	8
10'	7	6	6

### ZONAL LUMEN SUMMARY

Zone	Lumens	%Lamp	%Fixture
0-30°	526	N/A	82.7
0-40°	580	N/A	91.2
0-60°	619	N/A	97.3
0-90°	636	N/A	100.0

### INITIAL FOOTCANDLES (One Unit, 10W, 23.5° Beam)

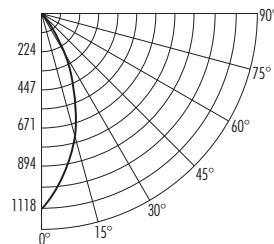
Distance to Illuminated Plane (Feet)	Footcandles Beam Center	Beam Diameter
4'	124.5	1.7
6'	55.3	2.5
8'	31.1	3.3
10'	19.9	4.2
12'	13.8	5.0

### LUMINANCE (Average cd/m<sup>2</sup>)

Degrees	Average Luminance
45°	41471
55°	24866
65°	21059
75°	20720
85°	24874

### PHOTOMETRIC REPORT

Test Report#: PTO1142704R  
Catalog No: 2A-835F1-WH  
80 CRI, 3500K LED  
with Flood Optic  
Luminaire Spacing Criteria: 0.66  
Luminaire LPW: 63



### CANDLEPOWER DISTRIBUTION (Candelas)

Degrees Vertical	0°
0	1118
5	1068
15	766
25	384
35	135
45	45
55	16
65	6
75	3
85	1
90	0

### AVERAGE INITIAL FOOTCANDLES Multiple Units (Square Array, 60'x60' room)

Reflectances: Ceiling 80%, Wall 50%, Floor 20%

Spacing	RCR1	RCR3	RCR5
4'	44	38	34
5'	28	25	22
6'	20	17	15
7'	16	14	12
8'	13	11	10
9'	10	8	7
10'	7	6	5

### ZONAL LUMEN SUMMARY

Zone	Lumens	%Lamp	%Fixture
0-30°	486	N/A	76.5
0-40°	573	N/A	90.3
0-60°	624	N/A	98.3
0-90°	635	N/A	100.0

### INITIAL FOOTCANDLES (One Unit, 10W, 40.9° Beam)

Distance to Illuminated Plane (Feet)	Footcandles Beam Center	Beam Diameter
4'	69.8	3.0
6'	31.0	4.5
8'	17.5	6.0
10'	11.2	7.5
12'	7.8	8.9

### LUMINANCE (Average cd/m<sup>2</sup>)

Degrees	Average Luminance
45°	60027
55°	26657
65°	14309
75°	11021
85°	7855

Fixtures tested to IES recommended standard for solid state lighting per LM-79-08. Photometric performance on a single unit represents a baseline of performance for the fixture. Results may vary in the field.

Multiplier:	80 CRI	90 CRI
	827 = .94	927 = .83
	830 = .97	930 = .86
	835 = 1.00	935 = .88
	841 = 1.03	940 = .90