



SQUARE MINI LED DOWNLIGHT

OUTDOOR/WET LOCATION

MDSLWG2 RECESSED HOUSING AND TRIM

LOW VOLTAGE

Project: _____

Fixture Type: _____

Location: _____

Contact/Phone: _____

PRODUCT DESCRIPTION

The square MDSLW mini LED recessed downlight is for use in wet locations and is IC rated for insulated or non-insulated applications

- Sleek, compact form factor provides direct accent lighting with low glare optic system that approximates the light output and distribution of 20W halogen lamps
- Ideal for both residential and commercial wet location applications including bathrooms and eave lighting
- Remote mount Class 2 120V to 12V AC electronic or magnetic transformer required
- Designed to provide 50,000 hours of life
- 5 year limited warranty on LED components.

ENVIRONMENTALLY FRIENDLY, ENERGY EFFICIENT

- No harmful ultraviolet or infrared wavelengths
- No lead or mercury
- Comparable light output to 20W MR11 halogen lamps while consuming 5W

PRODUCT SPECIFICATIONS

LED Light Engine High performance, low power LEDs provide outstanding reliability, performance and color quality/consistency

- 2700K, 3000K, 3500K or 4100K color temperatures available
- 80 or 90 CRI minimum.

Optical System Fixtures are offered with a choice of spot, narrow flood or flood beam patterns

- LED source concealed with lensed optic is deeply regressed into an internal reflector to produce a low glare system
- Reflectors finished to match trim ring color for uniform appearance
- Field replacement of optical lenses is NOT recommended.

Transformer Requires remote mount Class 2, 120V to 12V AC electronic or magnetic transformer for operation

- Juno [TL602E](#) electronic transformer and [TL576](#) magnetic transformer are designed specifically for use with these fixtures.

Dimming May be dimmed with dimmers tested and qualified by Juno for use with [TL602E](#) and [TL576](#) – see transformer specifications for compatible dimmers

- Color temperature remains constant over dimming range
- Consult factory for additional information.

Life Rated for 50,000 hours at 70% lumen maintenance.

Labels UL Listed for wet locations and daisy chaining

- Union made
- UL and cUL listed
- RoHS compliant.

Testing All reports are based on published industry procedures; field performance may differ from laboratory performance.

Product specifications subject to change without notice.

HOUSING FEATURES

Housing Designed for use in IC (insulated ceiling) or non-IC construction

- Die cast aluminum housing
- Finished with either corrosion resistant painted finishes or E-coat for decorative plated finishes.

Wiring Compartment Provided with removable access plate

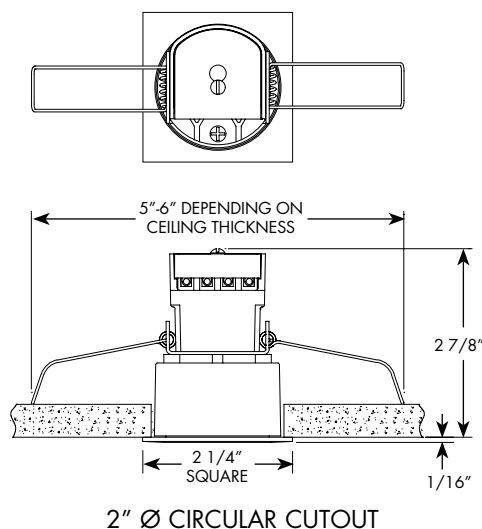
- Four pole terminal block allows for quick, secure connection
- UL /cUL listed for daisy chaining
- Easy to wire with commonly available low voltage cable (Type CL2 or NEC equivalent, 18-12 AWG). Consult local codes for compliant wiring methods.

Mounting Zinc plated torsion clips are provided fully assembled to housing

- Springs allow for fast, secure installation or removal in mounting surfaces from 1/8" to 1" thick material
- 2" Cutout dimension corresponds to common hole saw size.



DIMENSIONS



ELECTRICAL DATA

Input Voltage	12VAC
Input Power	4.8W
Input Current	0.42A
Frequency	Varies with Transformer

ORDERING INFORMATION:

Example: **MDSLWG2-27K-FL-WH**

Fixture

Catalog No.	Color Temp./CRI	Optic	Finish
MDSLWG2	27K 2700K-80CRI	SP Spot	WH White
	3K 3000K-80CRI	NFL Narrow Flood	BL Black
	35K 3500K-80CRI	FL Flood	SN Satin Nickel
	41K 4100K-80CRI		BZ Bronze
	927 2700K-90CRI		
	930 3000K-90CRI		
	935 3500K-90CRI		
	940 4000K-90CRI		

Transformer

Catalog Number	Finish	Description
TL602E-10-WH	White	10W 12V AC Electronic Driver/Transformer
TL602E-25-WH	White	25W 12V AC Electronic Driver/Transformer
TL602E-60-WH	White	60W 12V AC Electronic Driver/Transformer
TL576-10-BL	Black	10W 12V AC Magnetic Driver/Transformer
TL576-25-BL	Black	25W 12V AC Magnetic Driver/Transformer
TL576-60-BL	Black	60W 12V AC Magnetic Driver/Transformer

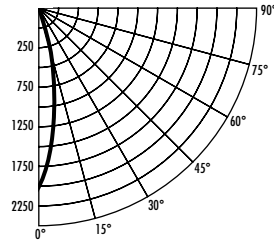
SQUARE MINI LED DOWNLIGHT

OUTDOOR/WET LOCATION MDSLWG2 RECESSED HOUSING AND TRIM

LOW VOLTAGE

PHOTOMETRIC REPORT

Test Report #: PT02140501R
Catalog No: MDSLWG2-35K-SP-WH
Luminaire Spacing Criterion: 0.34
Luminaire LPW: 67



CANDLEPOWER DISTRIBUTION (Candelas)

Degrees Vertical	0°
0	2061
5	1701
15	437
25	67
35	13
45	5
55	2
65	1
75	0
85	0
90	0

Multiplier: 80CRI 90CRI
27K - 0.91 927 - 0.67
3K - 0.95 930 - 0.72
35K - 1.00 935 - 0.77
41K - 1.01 940 - 0.80

AVERAGE INITIAL FOOTCANDLES Multiple Units (Square Array, 60' x 60' room)

Ceiling 80%, Wall 50%, Floor 20%

Spacing	RCR1	RCR4	RCR8
4'	23	21	19
5'	15	13	12
6'	10	9	9
7'	8	8	7
8'	7	6	6
9'	5	5	4
10'	4	3	3

ZONAL LUMEN SUMMARY

Zone	Lumens	%Lamp	%Fixture
0-30°	305	N/A	94.3
0-40°	315	N/A	97.3
0-60°	321	N/A	99.3
0-90°	324	N/A	100.0

INITIAL FOOTCANDLES One Unit, 5W, 19.6° Beam

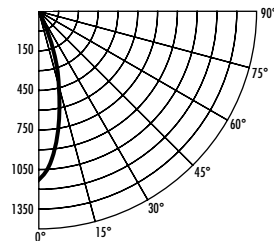
Distance to Illuminated Plane (Feet)	Footcandles Beam Center	Beam Diameter
4	128.8	1.4'
6	57.3	2.1'
8	32.2	2.8'
10	20.6	3.5'

LUMINANCE (Average cd/m²)

Degrees	Average 0° Luminance
45	11169
55	7031
65	5169
75	4544
85	1928

PHOTOMETRIC REPORT

Test Report #: PT02140502R
Catalog No: MDSLWG2-35K-NFL-WH
Luminaire Spacing Criterion: 0.44
Luminaire LPW: 63



CANDLEPOWER DISTRIBUTION (Candelas)

Degrees Vertical	0°
0	1128
5	999
15	441
25	122
35	29
45	8
55	4
65	2
75	1
85	0
90	0

Multiplier: 80CRI 90CRI
27K - 0.91 927 - 0.67
3K - 0.95 930 - 0.72
35K - 1.00 935 - 0.77
41K - 1.01 940 - 0.80

AVERAGE INITIAL FOOTCANDLES Multiple Units (Square Array, 60' x 60' room)

Ceiling 80%, Wall 50%, Floor 20%

Spacing	RCR1	RCR4	RCR8
4'	23	20	18
5'	14	13	12
6'	10	9	8
7'	8	7	7
8'	6	6	5
9'	5	4	4
10'	4	3	3

ZONAL LUMEN SUMMARY

Zone	Lumens	%Lamp	%Fixture
0-30°	269	N/A	88.3
0-40°	289	N/A	94.9
0-60°	300	N/A	98.7
0-90°	304	N/A	100.0

INITIAL FOOTCANDLES One Unit, 5W, 24.9° Beam

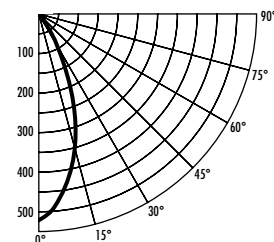
Distance to Illuminated Plane (Feet)	Footcandles Beam Center	Beam Diameter
4	70.5	1.8'
6	31.3	2.6'
8	17.6	3.5'
10	11.3	4.4'

LUMINANCE (Average cd/m²)

Degrees	Average 0° Luminance
45	19723
55	12304
65	9542
75	8440
85	1928

PHOTOMETRIC REPORT

Test Report #: PT02140503R
Catalog No: MDSLWG2-35K-FL-WH
Luminaire Spacing Criterion: 0.62
Luminaire LPW: 55



CANDLEPOWER DISTRIBUTION (Candelas)

Degrees Vertical	0°
0	533
5	519
15	355
25	135
35	39
45	13
55	7
65	4
75	2
85	0
90	0

Multiplier: 80CRI 90CRI
27K - 0.91 927 - 0.67
3K - 0.95 930 - 0.72
35K - 1.00 935 - 0.77
41K - 1.01 940 - 0.80

AVERAGE INITIAL FOOTCANDLES Multiple Units (Square Array, 60' x 60' room)

Ceiling 80%, Wall 50%, Floor 20%

Spacing	RCR1	RCR4	RCR8
4'	18	16	14
5'	12	10	9
6'	8	7	6
7'	7	6	5
8'	5	5	4
9'	4	4	3
10'	3	3	2

ZONAL LUMEN SUMMARY

Zone	Lumens	%Lamp	%Fixture
0-30°	213	N/A	79.8
0-40°	241	N/A	90.3
0-60°	259	N/A	97.4
0-90°	266	N/A	100.0

INITIAL FOOTCANDLES One Unit, 5W, 37.1° Beam

Distance to Illuminated Plane (Feet)	Footcandles Beam Center	Beam Diameter
4	33.3	2.7'
6	14.8	4.0'
8	8.3	5.4'
10	5.3	6.7'

LUMINANCE (Average cd/m²)

Degrees	Average 0° Luminance
45	31367
55	21678
65	17096
75	12984
85	3856

Fixtures tested to IES recommended standard for solid state lighting per LM-79-08. Photometric performance on a single unit at 12VAC in a 25°C ambient represents a baseline of performance for the fixture. Results may vary in the field and when multiple fixtures are used in a system.

