



3120C LED

Impact Resistant Round Bollard Flat Top

HIGHLIGHTS

- A confident solution for safety and performance in a proven vandal resistant bollard
- Motion Sensing Bi-Level switching using electromagnetic occupancy sensor → 20ft range
- USB receptacle or GFCI receptacle options
- 0-10V Dimming, ELV dimming
- Emergency operation up to 90 minutes
- 1810 lumens

5
YEAR
warranty



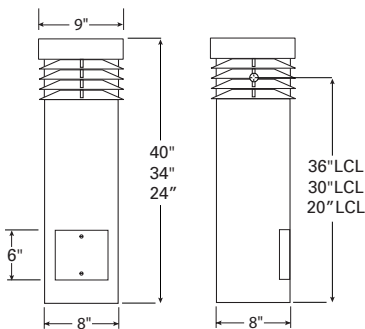
IP65



Specifications

Diameter:	9"
	229 mm
Diameter ² :	8"
	204 mm
Height:	42"
	1016 mm
Height ² :	36"
	915 mm
Weight:	35lbs

DIMENSIONS

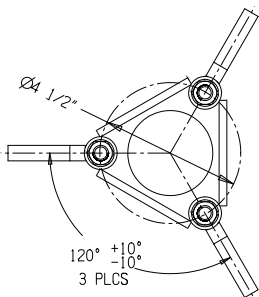


LUMEN PACKAGES

	SYM
Delivered Lumens	1810
Watts	84
LPW	22

Note: Information Based on 50K

MOUNTING



ORDERING INFORMATION
EXAMPLE: 3120C H36 8COB 50K MVOLT SYM BL

Series	Height	Lamp type	Color	Voltage	Distribution	Options ⁴
3120C	H24	4COB ¹	20K	MVOLT (120-277 volt)	SYM Symmetrical 360°	BLS ^{5,6} Bi-Level Switching (Motion Activated)
	H36	8COB	30K	120 ²		FT ³ Forward Throw
	H42	40K	4000°K Color Temp	277 ²	ELN ^{5,7} Emergency Operation (1387.5 lumen output; 90 minutes)	
		50K	5000°K Color Temp	347	LDIM 0-10V Dimming (Dims to 10%)	
		AMBLW	Limited wavelength Amber 591 Nanometers		IDIM ⁶ In-line Trailing Edge ELV Dimming (Dims to 40%); 120 volt only	
						USB USB charging port, 120 volt only, cannot be used with GFCI

Finish		Optional Louvers Painted ⁹	
BL	Black	STG	Steel Gray
BZ	Bronze	TVG	Terra Verde Green
DDB	Dark Bronze	WH	White
DNA	Natural Aluminum	CF	Custom
GN	Green	__Z ⁸	Zinc Undercoat
GR	Gray	RALTB	RAL Paint Finishes
SND	Sand		

Note: RALTB for pricing only, replace with applicable RAL call out when ready to order. See the [RALBROCHURE](#) for available options. It is recommended that Hydrel products only use textured paint.

ELECTRICAL LOAD

Light Engines	Drive Current (mA)	System Watts	Current (A)					
			120	208	240	277	347	480
8 COB	250mA	72.35	0.603	0.348	0.301	0.261	0.209	0.151
	300mA	83.95	0.700	0.404	0.350	0.303	0.242	0.175

PROJECTED LED LUMEN MAINTENANCE

Data references the extrapolated performance projections for the Fixture platform in a 25°C ambient, based on 13,000 hours of LED testing (tested per IESNA LM-80-08 and projected per IESNA TM-21-11). To calculate LLF, use the lumen maintenance factor that corresponds to the desired number of operating hours below. For other lumen maintenance values, contact factory.

Operating Hours	0	25,000	50,000	100,000
Lumen Maintenance Factor	1.00	0.91	0.85	0.75

Notes:

- 4COB for use with 20K and AMBLW only, 20K and AMBLW require 4COB.
- Required with ELN or BLS.
- FT not available with BLS.
- BLS is not available with ELN, LDIM or IDIM.
- ELN and BLS require 120 or 277 voltage, not MVOLT or 347.
- Drive current will be 250.
- ELN not available on 24" height.
- Add zinc undercoat for harsh environments.
- Louvers will be black unless otherwise specified (top only).

LUMEN AMBIENT TEMPERATURE (LAT) MULTIPLIERS

Use these factors to determine relative lumen output for average ambient temperatures from 0-40°C (32-104°F).

Ambient	Lumen Multiplier
0°C	1.05
10°C	1.03
20°C	1.01
25°C	1.00
30°C	0.99
40°C	0.98

LED Lighting facts
A Program of the U.S. DOE

Light Output (Lumens) **1534**
Watts **83.95**
Lumens per Watt (Efficacy) **18**

Color Accuracy
Color Rendering Index (CRI) **84**

Light Color
Correlated Color Temperature (CCT) **4028 (Bright White)**

2700K 3000K 4500K 6500K

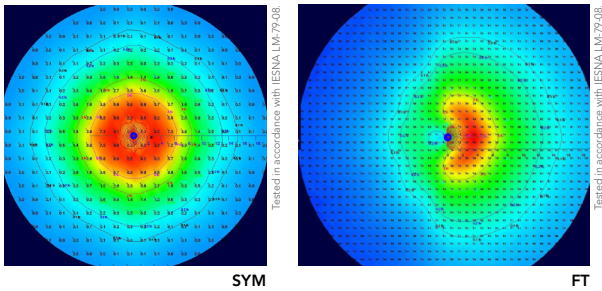
All results are according to IESNA LM-79-2008. Approved Method for the Electrical and Photometric Testing of Solid-State Lighting. The U.S. Department of Energy (DOE) verifies product test data and results.

Visit www.lightingfacts.com for the Label Reference Guide.

Registration Number: DHMB-SWXOUI (7/23/2014)
Model Number: 3100 8COB 40K SYM
Type: Luminaire - Bolland

PERFORMANCE DATA

Iscandela plots for 3100 COB. To see complete photometric reports or download .ies files for this product, visit www.hydrrel.com/



LUMEN OUTPUT

Lumen values are from photometric tests performed in accordance with IESNA LM-79-08. Data is considered to be representative of the configurations shown, within the tolerances allowed by Lighting Facts. Actual performance may differ as a result of end-user environment and application. Contact Factory for performance data on any configuration not shown here.

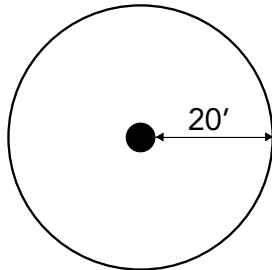
Light Engines	Distribution	Drive Current	System Watt	Lumens	LPW	B	U	G
3000K	SYM	250*	72	1300	18	1	2	1
		300	84	1525	18	1	2	1
4000K	SYM	250*	72	1320	18	1	2	1
		300	84	1535	18	1	2	1
5000K	SYM	250*	72	1535	21	1	2	1
		300	84	1810	22	2	2	1
2000K	SYM	1050	72	900	13	1	2	1

*Used with IDIM and BLS options.

LED LIFE: L80/64,000 hours

OPERATING TEMPERATURE: -20°C Through 50°C
-40°C Through 50°C with IDIM & BLS options

APPROXIMATE MOTION SENSOR COVERAGE AREA:



SPECIFICATIONS AND FEATURES

MATERIAL: Copper-free aluminum, A360.

LED ARRAY: 72W and 84W (total system input wattage) Lumen maintenance of individual light sources have been independently tested to IESNA LM-80 standards. All within 3 MacAdam ellipses.

VOLTAGE: MVOLT 50/60Hz, 120, 277 or 347

DISTRIBUTION: SYM - Symmetric, FT - Forward Throw

LENS: Frosted borosilicate glass.

POWER SUPPLY: Integrally mounted LED driver run at 300mA, -20°C through 50°C standard. Alternate driver run at 250mA, -40°C through 50°C used with IDIM and BLS.

FINISH: Super durable polyester TGIC powder coat finish (standard). Optional zinc undercoat for harsh environments.

FASTENERS: Stainless Steel.

LISTING: cCSAus, suitable for wet locations, laboratory tests conducted by CSA to UL Standard UL-1598 and UL-8750.

BUY AMERICAN: This product is assembled in the USA and meets the Buy America(n) government procurement requirements under FAR, DFARS and DOT. Please refer to www.acuitybrands.com/resources/buy-american for additional information.

WARRANTY: 5-year limited warranty. Complete warranty terms located at: www.acuitybrands.com/support/customer-support/terms-and-conditions

Consult factory for details.

NOTE: Actual performance may differ as a result of end-user environment and application. All values are design or typical values, measured under laboratory conditions at 25 °C. Specifications subject to change without notice.