

INSTALLATION INSTRUCTIONS

Installation should be performed by a qualified electrician in accordance with the National Electrical Code and relevant local codes.

1. Install supplied J-bolt anchor (galvanized J-bolt 1/2-13 thread, 14 inches long) assembly **A** over electrical supply conduit stub-outs **B** [by others] and into a concrete pad pour form [by others]. The electrical supply conduit stub-outs **B** must pass through the center of the template bracket **C** of the J-bolt anchor assembly **A**.

Notes:

- Electrical supply conduit stub-outs **B** should be no higher than 3" (76mm) above grade with supply wires at a recommended 12" (305mm) minimum length.
 - Maximum conduit stub-out number and size: Two (2)- 3/4" (25mm) conduit stub-outs or three (3)- 1/2" (20mm) conduit stub-outs.
 - The concrete pad pour form should be a minimum of 9" across the top in any direction and a minimum of 18" deep.
2. Orient the J-bolt anchor assembly **A** to ensure that the access door **E** of the 3100 bollard is in the desired location when the bollard is installed.

Notes:

- For proper bollard installation, the top of the template bracket **C** must be flush and level with final grade.
 - See reverse side of this sheet for recommended J-bolt anchor assembly orientation.
3. Fill the concrete pad pour form [by others] with concrete [by others] to the top surface of the template bracket **C**. For best results, ensure that top surface of concrete is smooth and level.

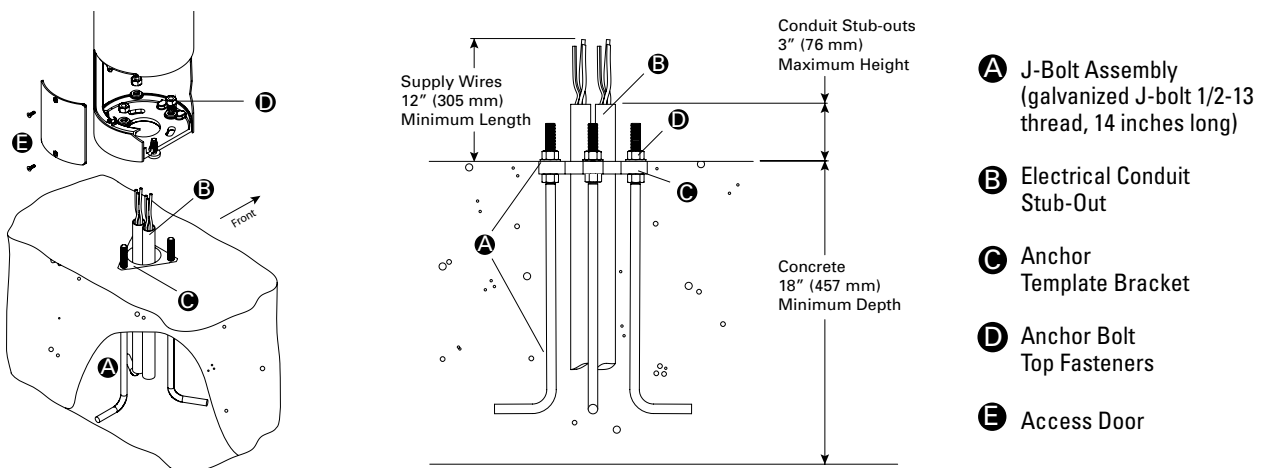
Notes:

- For proper bollard installation, the Anchor Bolt Top Fasteners **D** must be above grade and removable. These will be used later to secure the bollard 3100 bollard to the J-bolt anchor assembly.
4. Allow concrete pad to cure securing J-bolt anchor assembly **A** into the pad before installing 3100 series bollard fixture.

Notes:

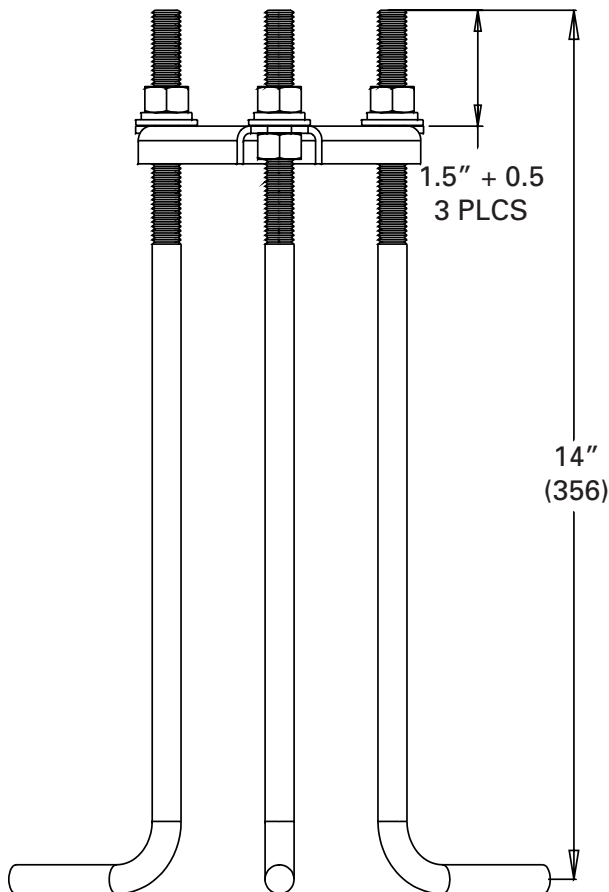
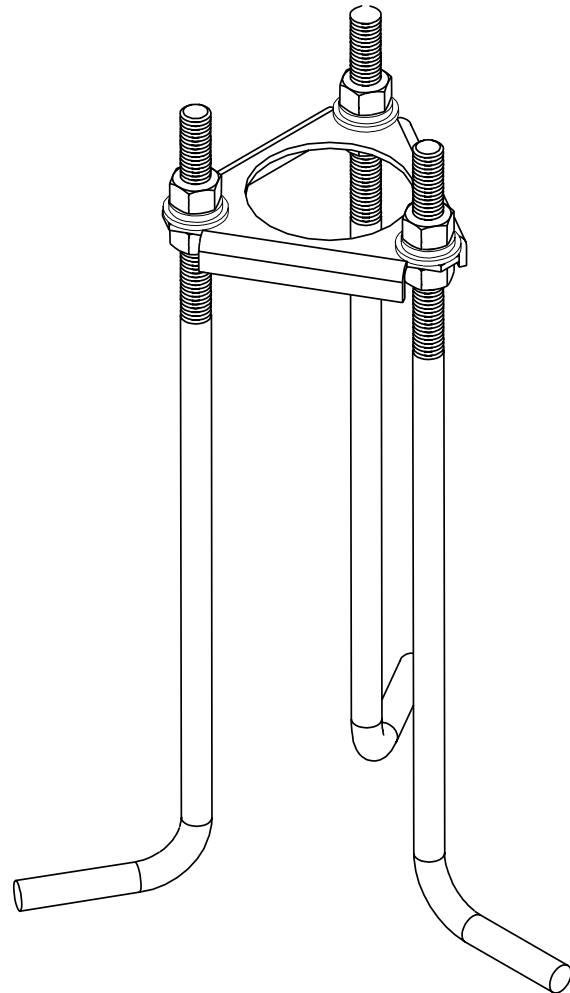
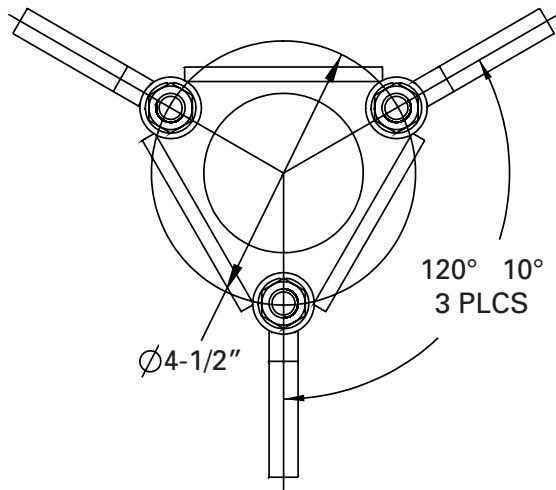
- Protect J-bolt and conduit stub-outs from damage prior to installation of 3100 bollard fixture.
- See [3100 Bollard Installation Instructions](#) for complete assembly.

J-BOLT ANCHOR INSTALLATION



INSTALLATION INSTRUCTIONS

Installation should be performed by a qualified electrician in accordance with the National Electrical Code and relevant local codes.

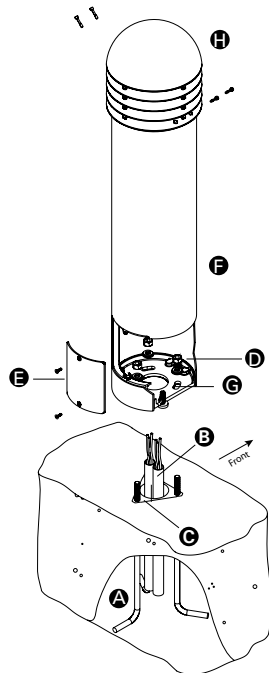


INSTALLATION INSTRUCTIONS

Installation should be performed by a qualified electrician in accordance with the National Electrical Code and relevant local codes.

1. Verify that the power is off at the conduit supply wires **(B)**. Conduit stub-outs are to be no more than 3" (76 mm) above final grade with supply wires at 12" (305 mm) minimum length.
 2. Remove the anchor bolt top fasteners **(D)** and rear bollard access plate **(E)** before installing the bollard. Remove all shipping packing material.
 3. Place the bollard **(F)** upright onto the anchor bolts. Route supply wires through center access hole of the base plate.
 4. Secure the fixture to anchor bolts using the supplied anchor bolt top fasteners **(D)**. Fasteners should remain partially loosened until final leveling is complete.
 5. Position the bollard as required. Adjust each of the three (3) leveling pad bolts **(G)** until the bollard is properly leveled.
 6. Secure the bollard by tightening the anchor bolt top fasteners **(D)**. Confirm that bollard is properly leveled.
 7. Verify that supply voltage matches fixture voltage. Make electrical connections to the fixture inside the bollard housing. All electrical splices are to be made as prescribed by the National Electrical Code or other relevant codes. Attach ground wire to an approved ground source.
 8. Re-install the rear bollard access plate **(E)** securely with the supplied fasteners.
 9. Remove the top lid louver assembly **(H)** and install the proper lamp type as defined by the label inside fixture. **(Lamp sold separately).**
 10. Re-install the top lid louver assembly **(H)** securely with the supplied fasteners.
- NOTE:** Verify alignment of top lid louver assembly prior to installment. Secure fasteners evenly. Do not overtighten.

MOUNTING (ROUND BASE SHOWN)

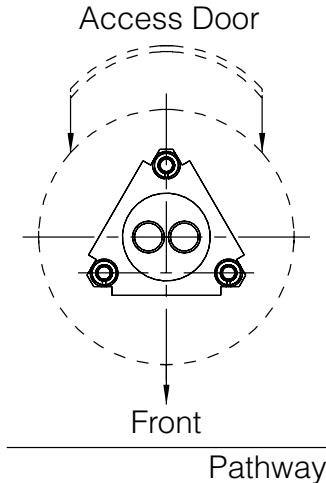


- (A)** J-Bolt Assembly
- (B)** Electrical Conduit Stub-Out
- (C)** Anchor Template Bracket
- (D)** Anchor Bolt Top Fasteners
- (E)** Rear Access Plate
- (F)** Bollard Fixture
- (G)** Leveling Pad Bolts
- (H)** Lid Louver Assembly

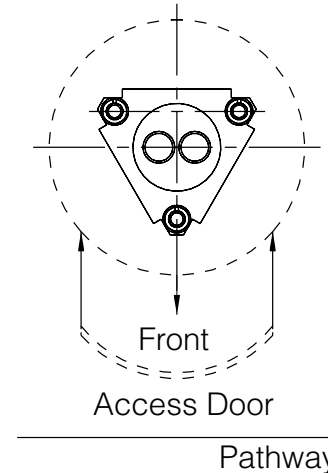
INSTALLATION INSTRUCTIONS

Installation should be performed by a qualified electrician in accordance with the National Electrical Code and relevant local codes.

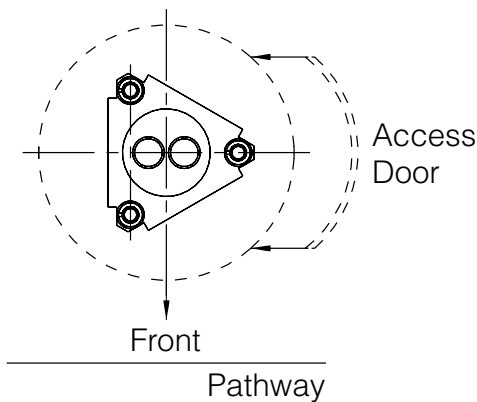
Top View, Access Door on back side
Orient J-bolt anchor assembly as shown



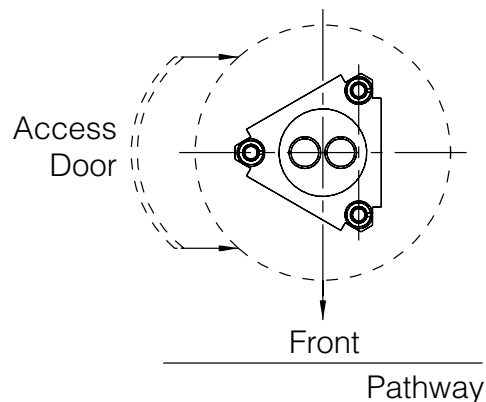
Top View, Access Door on front side
Orient J-bolt anchor assembly as shown



Top View, Access Door on right side
Orient J-bolt anchor assembly as shown



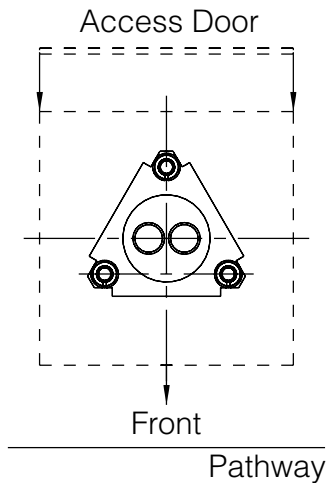
Top View, Access Door on left side
Orient J-bolt anchor assembly as shown



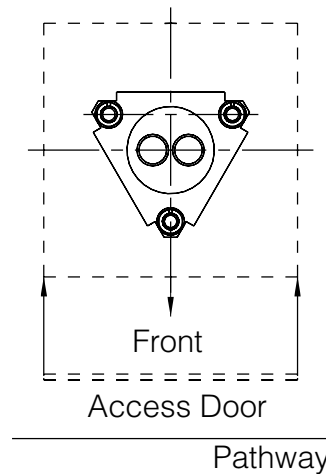
INSTALLATION INSTRUCTIONS

Installation should be performed by a qualified electrician in accordance with the National Electrical Code and relevant local codes.

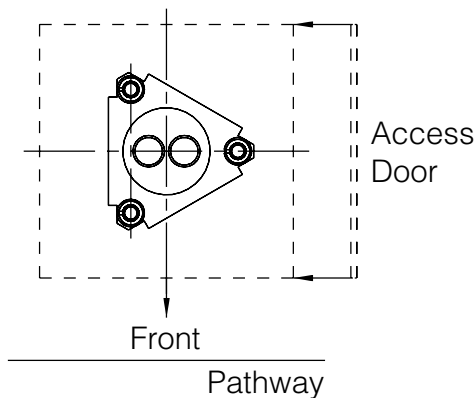
Top View, Access Door on back side
Orient J-bolt anchor assembly as shown



Top View, Access Door on front side
Orient J-bolt anchor assembly as shown



Top View, Access Door on right side
Orient J-bolt anchor assembly as shown



Top View, Access Door on left side
Orient J-bolt anchor assembly as shown

