

DATE:	LOCATION:
TYPE:	PROJECT:
CATALOG #:	

LNC2

SMALL LED LITEPAK

FEATURES

- 60% more lumens and increased performance than smaller LNC models
- 3000K, 4000K and 5000K as well as Amber
- Type II, III and IV distributions available for a variety of application needs
- Quick-mount adapter allows easy installation/maintenance
- 347V and 480V versions for industrial applications and Canada
- Stock versions available for fast service
- Full cut-off, neighbor friendly
- Optional photocontrol for additional energy savings



CONTROL TECHNOLOGY



SPECIFICATIONS

CONSTRUCTION

- Rugged die-cast aluminum housing protects components and provides an architectural appearance
- Casting thermally conducts LED heat to optimize performance and long life
- Powder paint finish provides durability in outdoor environments. Tested to meet 1000 hour salt spray rating.

OPTICS

- Zero uplight distributions using individual acrylic Micro Strike Optics
- LED optics provide IES type III and IV distributions. Optional (CS) acrylic diffuser available for reduced glare
- Prismatic refractor lens provides ~10% uplight for increased vertical footcandles and forward light projection ideal for security lighting
- L96 at 60,000hrs (Projected per IESNA TM-21-11), see table on page 3 for all values

INSTALLATION

- Quick-mount adapter provides easy installation to wall or to recessed junction boxes (4" square junction box)
- Designed for direct j-box mount.
- Optional 1/2" conduit hubs available (standard for control options and battery versions)

ELECTRICAL

- 120V-277V universal voltage 50/60Hz 0-10V dimming drivers
- 347V and 480V dimmable driver option available in 25W and 35W configurations
- Minimum operating temperature is -40°C/-40°F
- Drivers have greater than .90 power factor and less than 20% Total Harmonic Distortion
- Driver RoHS and IP66
- 10kA surge protector
- 3000K CCT nominal, 4000K CCT nominal, 5000K CCT nominal (70 CRI)

CONTROLS

- Universal button photocontrol for use with 120-277V configurations
- Occupancy sensor options available for complete on/off and dimming control
- NX Lighting Controls™ available with in fixture wireless control module, features dimming and occupancy sensor
- Integral Battery Backup provides emergency lighting for the required 90 minute path of egress
- Dual Driver and Dual Power Feed option for 18L-070 versions. Dual Driver option provides 2 drivers within luminaire but only one set of leads exiting the luminaire, where Dual Power Feed provides two drivers which can be wired independently as two sets of leads are extended from the luminaire.

CERTIFICATIONS

- Listed to UL1598 and CSAC22.2#250.0-24 for wet locations
- This product qualifies as a "designated country construction material" per FAR 52.225-11 Buy American-Construction Materials under Trade Agreements effective 04/23/2020.

WARRANTY

- 5 year warranty

KEY DATA	
Lumen Range	1000-5600
Wattage Range	10-45
Efficacy Range (LPW)	108-124
Fixture Projected Life (Hours)	L96>60K
Weights lbs. (kg)	9.6 (24.5)

DATE:	LOCATION:
TYPE:	PROJECT:
CATALOG #:	

ORDERING GUIDE

Example: LNC2-48L-25-3K7-3-UNV-DBT-PC

CATALOG #

ORDERING INFORMATION

Series	Light Engine	CCT/CRI	Distribution	Voltage
LNC2 Small LitePak LNC2	48L-10 1000 lumens 48L-15 2000 lumens 48L-20 2500 lumens 48L-25 3500 lumens 48L-35 4500 lumens 48L-45 5500 lumens P15 15w Prismatic P25 25w Prismatic P35 35w Prismatic	3K7 3000K, 70 CRI 4K7 4000K, 70 CRI 5K7 5000K, 70 CRI AM Amber	3 Type 3 4W Type 4 Wide FT Forward Throw ⁸	UNV 120-277V 120 120V 208 208V 240 240V 277 277V 347 347V ⁷ 480 480V ⁷

Mounting	Finish	Control Options	Additional Options
Leave blank for down NV Inverted ³	BLT Black Matte Textured BLS Black Gloss Smooth DBT Dark Bronze Matte Textured DBS Dark Brone Gloss Smooth GTT Graphite Matte Textured LGS Light Grey Gloss Smooth PSS Platinum Silver Smooth WHT White Matte Textured WHS White Gloss Smooth VG Verde Green Textured Color Option CC Custom Color	PC Photocontrol ⁴ BTISO12F "Bluetooth Programmable, PIR Occupancy/Daylight Sensor, up to 12' mounting height ⁵ NXWE NX Wireless Radio Module NXRM2, without Sensor ⁵ NXSPW12F NX Wireless Enabled Integral NXSMP2-OMNI PIR Occupancy Sensor, 12' mounting height ⁵	F Fusing (specify voltage) EH Battery Backup Unit with Heater (-30°C) ⁶ E Battery Backup Unit (0°C) ⁶ CS Comfort Shield (N/A with Prismatic Refractor) 2DR Dual Driver ^{1,2} 2PF Dual Power Feed ^{1,2} CH Surface Conduit Hubs ⁵

Items with a grey background can be done as a custom order. Contact brand representative for more information

NOTES

- Available in 35 & 45W
- Options cannot be combined with controls or PC option
- Not available with occupancy sensor, battery backup or prismatic refractor options
- PC comes in standard housing
- BTS, NX and CH options come in medium back box
- E and EH come in large back box
- 347V & 480V only available in 25 and 35W
- FT only for P15, P25, P35 Prismatic lenses option

REPLACEMENT PART - MADE TO ORDER

Catalog Number	Description
<input type="checkbox"/> WP-BB-XXX*	Accessory for conduit entry

Notes:
* Replace XXX with paint color

PERFORMANCE DATA

System Watts	Input Voltage	Current (AMPS)	System Power (W)
10W	120	0.09	10.6
	277	0.038	
	347	0.031	
	480	0.022	
15W	120	0.12	14.5
	277	0.07	
	347	0.04	
	480	0.03	
20W	120	0.169	20
	277	0.072	
	347	0.058	
	480	0.042	
25W	120	0.235	28
	277	0.101	
	347	0.081	
	480	0.058	
35W	120	0.305	36.4
	277	0.131	
	347	0.105	
	480	0.076	
45W	120	0.378	45.1
	277	0.163	
	347	0.13	
	480	0.094	

PROJECTED LUMEN MAINTENANCE

STANDARD 9, 12 AND 18L VERSIONS

Ambient Temperature	OPERATING HOURS					
	0	25,000	50,000	TM-21-11* L96 60,000	100,000	L70 (Hours)
25°C / 77°F	1	0.97	0.95	0.94	0.91	408,000
40°C / 104°F	0.99	0.96	0.94	0.93	0.89	356,000

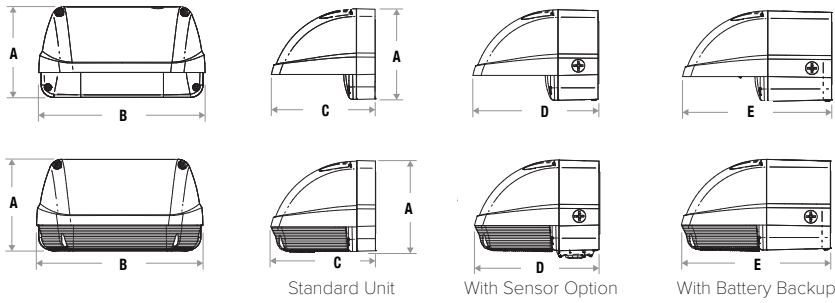
LUMINAIRE AMBIENT TEMP FACTOR

AMB TEMP		LUMEN MULTIPLIER
0C	32F	1.03
10C	50F	1.01
20C	68F	1
25C	77F	1
30C	86F	0.99
40C	104F	0.98

LUMEN

Nominal Wattage	System Watts	Dist. Type	5K (5000K NOMINAL 70 CRI)			4K (4000K NOMINAL 70 CRI)			3K (3000K NOMINAL 80 CRI)		
			Lumens	LPW	B-U-G	Lumens	LPW	B-U-G	Lumens	LPW	B-U-G
10W	10.6W	Type 3	1213	121	B0-U0-G0	1117	112	B0-U0-G0	1081	108	B0-U0-G0
		Type 4	1244	124	B0-U0-G0	1144	114	B0-U0-G0	1109	111	B0-U0-G0
15W	14.5W	Type 3	1820	121	B0-U0-G0	1676	112	B0-U0-G1	1622	108	B0-U0-G1
		Type 4	1868	125	B0-U0-G1	1718	115	B0-U0-G1	1663	111	B0-U0-G1
20W	20W	Type 3	2427	121	B0-U0-G1	2234	112	B0-U0-G1	2163	108	B0-U0-G1
		Type 4	2487	124	B0-U0-G1	2292	115	B0-U0-G1	2218	111	B0-U0-G1
25W	28W	Type 3	3033	121	B1-U0-G1	2793	112	B0-U0-G1	2703	108	B0-U0-G1
		Type 4	3112	124	B0-U0-G1	2862	114	B0-U0-G1	2772	111	B0-U0-G1
35W	36.4W	Type 3	4247	121	B1-U0-G1	3910	112	B1-U0-G1	3785	108	B0-U0-G1
		Type 4	4355	124	B1-U0-G2	4011	115	B1-U0-G1	3881	111	B1-U0-G1
45W	45.1W	Type 3	5466	118	B1-U0-G1	5031	112	B1-U0-G1	4871	106	B1-U0-G2
		Type 4	5604	117	B1-U0-G2	5159	108	B1-U0-G2	4995	104	B1-U0-G2

DIMENSIONS



A	B	C	D	E
5.54" (141 mm)	10.16" (258 mm)	6.33" (161 mm)	7.64" (194 mm)	9.10" (231 mm)

ADDITIONAL INFORMATION

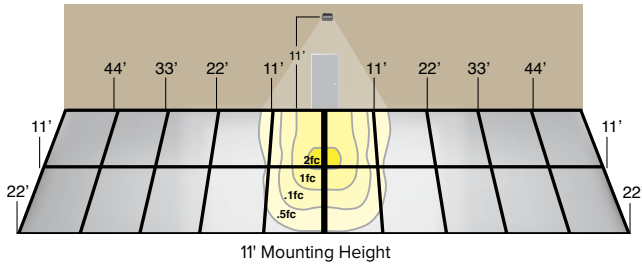
SHIPPING INFORMATION

Catalog Number	G.W(kg)/ CTN	Carton Dimensions			Carton Qty. per Master Pack
		Length Inch (cm)	Width Inch (cm)	Height Inch (cm)	
LNC2	14.3 (6.5)	14.5 (37)	11.4 (29)	8.4 (21.5)	2

CONTROL TABLE

Control Option	Sensor	Networkable	Scheduling	Occupancy	Daylight Harvesting	On/Off Control	Programming	Pair with Sensor	Sensor Mounting Height
PC	–	–	–	–	–	✓	–	–	–
NXWE	–	✓	✓	–	–	✓	Requires additional devices	–	–
NXSPW_F	NXSM-P	✓	✓	✓	✓	✓	Bluetooth	–	12 ft
BTSO12F	BTSMP-OMNI	–	–	✓	✓	with auxiliary driver	–	–	12 ft

LNC2 - BATTERY BACK UP



Provides Life Safety Code average illuminance of 1.0 fc. Assumes open space with no obstructions and mounting height of 11'.

Diagrams for illustration purposes only, please consult factory for application layout.

Battery backup units consume 6 watts when charging a dead battery and 2 watts during maintenance charging. EH (units with a heater) consume up to an additional 8 watts when charging if the battery temp is lower than 10°C

USE OF TRADEMARKS AND TRADE NAMES

All product and company names, logos and product identifies are trademarks ™ or registered trademarks ® of Current Lighting, Inc. or their respective owners. Use of them does not necessarily imply any affiliation with or endorsement by such respective owners.