

PERIMALITER® WALLPACK

PGL GLASS SERIES

Cat.#

Job

Type



HUBBELL
Outdoor Lighting

Approvals


APPLICATIONS

- Perimeter lighting for safety and security. High performance with wide lateral spread. Typical mounting heights 18-25ft

SPECIFICATIONS

- Cast aluminum door frame with prismatic glass refractor. Door seals to housing gasket with twin Hubbell Gard® captive fasteners
- Die cast aluminum housing allows firm mounting over recessed junction boxes or on flat surfaces for 1/2" surface conduit Casting dissipates ballast heat for long life. Side hub supplied for field installation of button photo control, ordered separately
- Specular aluminum reflector with kicker panels drive maximum lamp lumens to the refractor prisms. Vertical socket position with these optics provide six to one spacing to mounting height ratio for maximum spacing or greater lumens and lamp life
- PGL is available in wattages show below. All sockets are mogul base
- LP units include lamp in fixture carton for contractor convenience
- Dark bronze 800 Series powder paint finish standard on frame and housing. For optional finishes, black, gray, and white consult factory

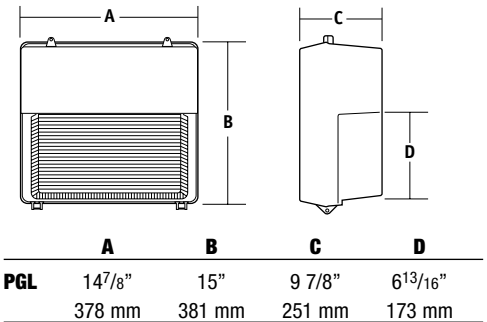
LISTINGS

- Listed to UL1598 for use in wet locations 

PRODUCT IMAGE(S)

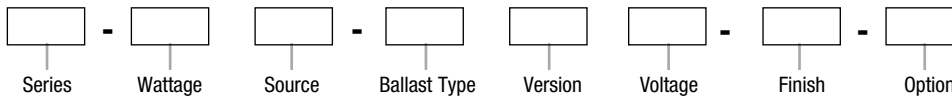


DIMENSIONS



ORDERING INFORMATION

ORDERING EXAMPLE: PGL-350P-128-1-EM



Catalog Number	Wattage	Lamp Type	Voltage	Ballast	Lamp Included	Weight lbs. (kg)
Pulse Start Metal Halide						
PGL-250P-128-1-LP	250	PSMH	Quad Tap	CWA-HPF	Yes	30 (13.6)
PGL-320P-128-1	320	PSMH	Quad Tap	CWA-HPF	No	25 (14.5)
PGL-350P-128-1	350	PSMH	Quad Tap	CWA-HPF	No	25 (15.0)
PGL-350P-128-1-LP	350	PSMH	Quad Tap	CWA-HPF	Yes	27 (15.0)
High Pressure Sodium						
PGL-250S-128-1	250	HPS	Quad Tap	CWA-HPF	No	32 (14.5)
PGL-400S-128-1	400	HPS	Quad Tap	CWA-HPF	No	36 (16.3)
PGL-400S-128-1-LP	400	HPS	Quad Tap	CWA-HPF	Yes	36 (16.3)

- Notes:
- LP - Indicates lamp included with the fixture.
 - Above units are Quad Tap (120,208,240,277V For ED28 lamps are required
 - For Tri-Tap Canadian ballast (120,277,347 volt) change 8 to 6
 - Dark Bronze finish (-1) is standard; For alternate finish (2- Black, 3- Gray, 4- White) - consult factory for price adder and availability
 - 50Hz ballast is available - Consult factory

ACCESSORIES - Order Separately

Catalog Number	Description
PBT-1	Photocontrol, button type, 120V
PBT-234	Photocontrol, button type, 208, 240, 277V
PTA-8	Photocontrol, external, weather tight, 208, 240, 277V
PG-PS ¹	Polycarbonate shield for refractor
PG-WG ¹	Wire guard for refractor
PVL3V	Full cut-off visor, formed aluminum, bronze finish

¹ Guard and shield can be used on the same fixture

OPTIONS - Add Suffix

Catalog Number	Description
-EM	Double contact socket for remote power (less lamp) all units
-QSS	Quartz restrike system including relay (less lamp) all units (Double contact bayonet socket)
-UST	Substantially transformed version in the U.S. meeting level 2 of the Buy American Act

REPLACEMENT PART

Catalog Number	Description
80033990104	Lens door assembly, bronze



Hubbell Outdoor Lighting • 701 Millennium Boulevard • Greenville, SC 29607 • Phone: 864-678-1000
Due to our continued efforts to improve our products, product specifications are subject to change without notice.

© 2015 HUBBELL OUTDOOR LIGHTING, All Rights Reserved • For more information visit our website: www.hubbelloutdoor.com • Printed in USA

PGL-SPEC 1/15