

Evolve™ LED Flood Lighting

EFH1



current
powered by GE



Product Features

The GE Evolve™ LED High Output Flood Light is our brightest solution to efficiently illuminate building façade, flag poles, billboard signage and many more traditional flood applications. Designed to replace 250W-400W HPS and 400W-1000W Metal Halide flood lights, the EFH1 provides significant operating cost benefits over the life of each fixture with reduced energy consumption and a long rated life that virtually eliminates ongoing maintenance expenses.

Applications

- Site, area, and general lighting applications utilizing advanced LED reflective optical system.



Housing

- Die-cast aluminum housing.
- Slim architectural design incorporates an integral heat sink and light engine, ensuring maximum heat transfer, long LED life.
- Meets 2G vibration with knuckle mount and 3G with trunnion mount.

Optical System

- Evolve™ light engine consisting of reflective technology designed to optimize application efficiency and minimize glare.
- LM-79 tests and reports are performed in accordance with IESNA standards.
- 70 CRI at 3000K, 4000K and 5000K typical
- NEMA Distributions: 6x5, 6x6, 7x6 and 7x7.

Ratings

-   listed, suitable for wet locations.
- IP66 optical enclosure per ANSI C136.25-2009
- Temperature Rated at -40°C to +50°C
- Complies with the material restrictions of RoHS.



DLC Premium qualified models available. Please refer to <http://www.designlights.org/QPL> for complete information.

Lumen Maintenance

Ambient Temp.	Optical Code	Projected ¹		Calculated ²	
		25K Hour	50K Hour	88K Hour	100K Hour
5°C (41°F)	AA, BB, CC, DD, EE	0.964	0.945	0.918	0.910
10°C (50°F)		0.961	0.940	0.909	0.900
15°C (59°F)		0.958	0.934	0.899	0.888
20°C (68°F)		0.954	0.927	0.887	0.875
25°C (77°F)		0.950	0.920	0.875	0.861
35°C (95°F)		0.926	0.885	0.827	0.809
40°C (104°F)		0.914	0.863	0.790	0.768

Note: Based on 10,000 hours LM-80 data. For details, see http://www.energystar.gov/ia/partners/prod_development/new_specs/downloads/luminaires/ENERGY_STAR_Final_Lumen_Maintenance_Guidance.pdf.

¹ In accordance with IESNA TM-21-11, Projected Values represent interpolated values based on time durations that are within six times (6X) the IESNA LM-80-08 total test duration (in hours) for the device under testing (DUT) i.e. the packaged LED chip.

² In accordance with IESNA TM-21-11, Calculated Values represent time durations that exceed six times (6X) the IESNA LM-80-08 total test duration (in hours) for the device under testing (DUT) i.e. the packaged LED chip.

Mounting

Option K

- K1 = Knuckle Slipfitter for 1.9 in. - 2.3 in. OD Tenon, with wires exiting tenon.
- K2 = Knuckle Slipfitter for 1.9 in. - 2.3 in. OD Tenon, external 3ft #14/3 power cable.

Option S

- S1 = Knuckle Slipfitter for 1.9 in. - 3.0 in. (48-76mm) OD Tenon.
- S2 = Knuckle Slipfitter for 1.9 in. - 3.0 in. (48-76mm) OD Tenon, with external 3ft #14/3 power cable.

Option V

- V1 = Knuckle Wall Mount. Lead wires exiting tenon.

Option T

- T1 = Trunnion, with external 3ft #14/3 power cable.

Finish

- Corrosion resistant polyester powder painted, minimum 2.0 mil. thickness.
- Standard colors: Dark Bronze, Black, White and Gray.
- RAL & custom colors available.

Electrical

- 120-277 VAC and 347-480 VAC available.
- System power factor is >90% and THD <20%.
- ANSI C136.41 PE Socket Standard. Light Grid compatible.
- Dimming:
 - 0-10V continuous dimming standard.
 - DALI digital dimming available. Contact manufacturer.
- DALI compatible drivers available in 120-277 VAC.
- Surge Protection; per ANSI C136.2-2015.
 - 6kV/3kA "Basic" surge protection, standard.
 - 10kV/5kA "Enhanced" surge protection, optional.

Warranty

- 5yr standard warranty

Accessories

- Top & Side Visor
- Wire Guard
- Vandal Shield
- Barn Door Assembly

Ordering Number Logic

Evolve™ LED High Output Flood Light (EFH1)



EFH1 01

7

PROD. ID	GENERATION	VOLTAGE	OPTICAL CODE	DISTRIBUTION	CRI	CCT	DIMMING	CONTROLS	MOUNTING	FINISH	OPTIONS
E = Evolve FH = Flood H-Series 1 = Standard	01 = 1st Generation	0 = 120-277* 1 = 120 2 = 208 3 = 240 4 = 277 5 = 480 D = 347 H = 347-480*	65 = NEMA 6x5 66 = NEMA 6x6 76 = NEMA 7x6 77 = NEMA 7x7	7 = 70 (min)	30 = 3000K 40 = 4000K 50 = 5000K	A = ANSI C136.41 7-pin Receptacle++ D = External Dimming 18/2 3ft cable+ N = Non-Dimmable+ P = External Dimming 18/2 3ft cable with 7-pin Receptacle++ + No PE Receptacle (Unrestricted Aiming Angle). ++ All Units with option A and P have restricted Aiming Angle.	A = No Control D = Shorting Cap Contact manufacturer for dimming PE and standard PE control options. Must order separately.	K1 = Knuckle Slipfitter for 1.9 in. - 2.3 in. OD Tenon.* S1 = Knuckle Slipfitter for 1.9 in. - 3.0 in. (48-76mm) OD Tenon. K2 = Knuckle Slipfitter for 1.9 in. - 2.3 in. OD Tenon, with external 3ft #14/3 power cable. S2 = Knuckle Slipfitter for 1.9 in. - 3.0 in. (48-76mm) OD Tenon, with external 3ft #14/3 power cable. V1 = Knuckle Wall Mount* T1 = Trunion, with external 3ft #14/3 power cable. * Lead wires exiting tenon.	GRAY = Gray BLCK = Black DKBZ = Dark Bronze WHITE = White	F = Fusing L = Tool-Less Entry R = Enhanced Surge Protection (10kV/5kA) M = NOM31* U = Universal DALI digital dimming+# V = 3-position Terminal Block XXX = Special Options * Contact manufacturer + Compatible with Light Grid 2.0 nodes. # Not compatible at 347-480V.	



OPTICAL CODE	DISTRIBUTION CODE	NEMA CLASSIFICATION	TYPICAL INITIAL LUMENS			TYPICAL SYSTEM WATTAGE		IES FILE NUMBER		
			3000K	4000K	5000K	120-277V	347-480V	3000K	4000K	5000K
AA	77	7 X 7	18900	19300	19500	150		EFH101_AA77730_____IES	EFH101_AA77740_____IES	EFH101_AA77750_____IES
BB	77	7 X 7	26300	26800	27100	194		EFH101_BB77730_____IES	EFH101_BB77740_____IES	EFH101_BB77750_____IES
CC	77	7 X 7	29100	29700	30000	218		EFH101_CC77730_____IES	EFH101_CC77740_____IES	EFH101_CC77750_____IES
DD	77	7 X 7	34000	34700	35000	266		EFH101_DD77730_____IES	EFH101_DD77740_____IES	EFH101_DD77750_____IES
EE	77	7 X 7	37900	38700	39000	297		EFH101_EE77730_____IES	EFH101_EE77740_____IES	EFH101_EE77750_____IES
AA	76	7 X 6	18500	18800	19000	150		EFH101_AA76730_____IES	EFH101_AA76740_____IES	EFH101_AA76750_____IES
BB	76	7 X 6	25700	26200	26500	194		EFH101_BB76730_____IES	EFH101_BB76740_____IES	EFH101_BB76750_____IES
CC	76	7 X 6	28400	29000	29300	218		EFH101_CC76730_____IES	EFH101_CC76740_____IES	EFH101_CC76750_____IES
DD	76	7 X 6	33200	33900	34200	266		EFH101_DD76730_____IES	EFH101_DD76740_____IES	EFH101_DD76750_____IES
EE	76	7 X 6	37100	37800	38100	297		EFH101_EE76730_____IES	EFH101_EE76740_____IES	EFH101_EE76750_____IES
AA	66	6 X 6	18200	18600	18800	150		EFH101_AA66730_____IES	EFH101_AA66740_____IES	EFH101_AA66750_____IES
BB	66	6 X 6	25400	25900	26200	194		EFH101_BB66730_____IES	EFH101_BB66740_____IES	EFH101_BB66750_____IES
CC	66	6 X 6	28100	28700	29000	218		EFH101_CC66730_____IES	EFH101_CC66740_____IES	EFH101_CC66750_____IES
DD	66	6 X 6	32800	33500	33800	266		EFH101_DD66730_____IES	EFH101_DD66740_____IES	EFH101_DD66750_____IES
EE	66	6 X 6	36600	37400	37700	297		EFH101_EE66730_____IES	EFH101_EE66740_____IES	EFH101_EE66750_____IES
AA	65	6 X 5	17300	17700	17900	150		EFH101_AA65730_____IES	EFH101_AA65740_____IES	EFH101_AA65750_____IES
BB	65	6 X 5	24100	24600	24800	194		EFH101_BB65730_____IES	EFH101_BB65740_____IES	EFH101_BB65750_____IES
CC	65	6 X 5	26700	27200	27500	218		EFH101_CC65730_____IES	EFH101_CC65740_____IES	EFH101_CC65750_____IES
DD	65	6 X 5	31200	31800	32100	266		EFH101_DD65730_____IES	EFH101_DD65740_____IES	EFH101_DD65750_____IES
EE	65	6 X 5	34800	35500	35800	297		EFH101_EE65730_____IES	EFH101_EE65740_____IES	EFH101_EE65750_____IES

PE Accessories (to be ordered separately)

SAP Number	Part Number	Description
93029237	PED-MV-LED-7	ANSI C136.41 Dimming PE, 120-277V
93029238	PED-347-LED-7	ANSI C136.41 Dimming PE, 347V
93029239	PED-480-LED-7	ANSI C136.41 Dimming PE, 480V

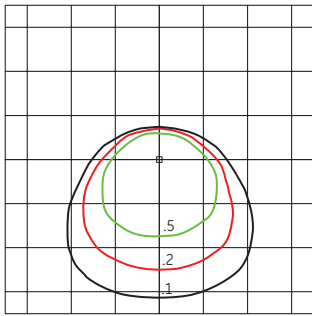
SAP Number	Part Number	Description
28299	PECOTL	STANDARD 120-277V
28294	PEC5TL	STANDARD 480V
80436	PECDTL	STANDARD 347V
73251	SCCL-PECTL	Shorting cap

Photometrics

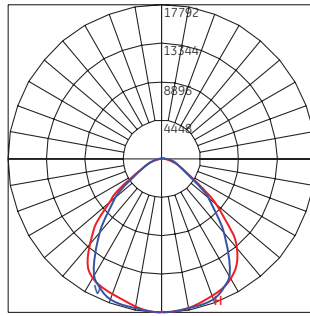
Evolve™ LED High Output Flood Light (EFH1)

77-EE

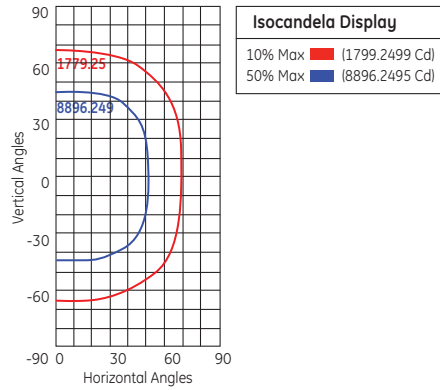
38,700 Lumens, 4000K (EFH101_EE77740__.ies)



Grid Distance in Units of Mounting Height at 35° and 45° Tilt Initial Footcandle Values at Grade

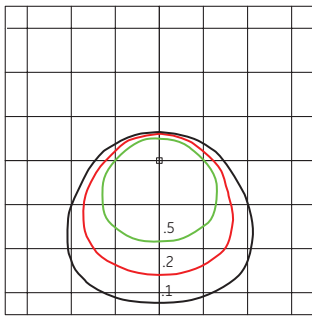


— Vertical Axel Candela Distribution
— Horizontal Axel Candela Distribution

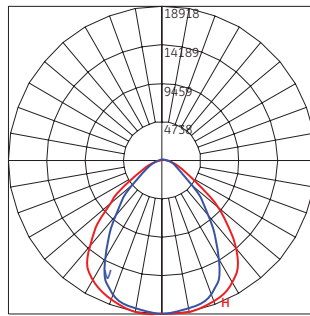


76-EE

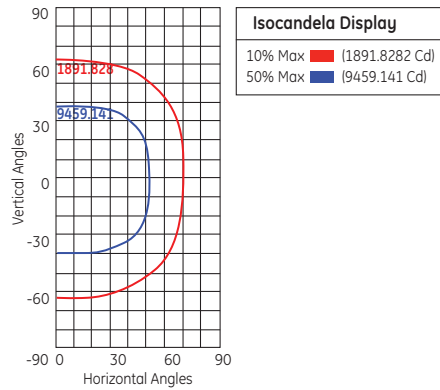
37,800 Lumens, 4000K (EFH101_EE76740__.ies)



Grid Distance in Units of Mounting Height at 35° and 45° Tilt Initial Footcandle Values at Grade

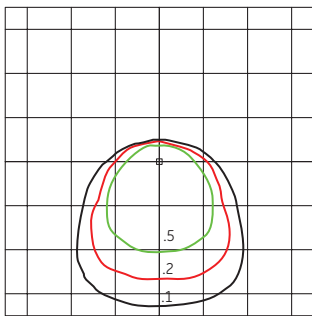


— Vertical Axel Candela Distribution
— Horizontal Axel Candela Distribution

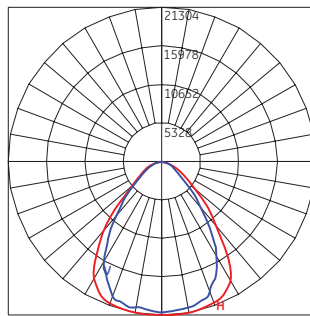


66-EE

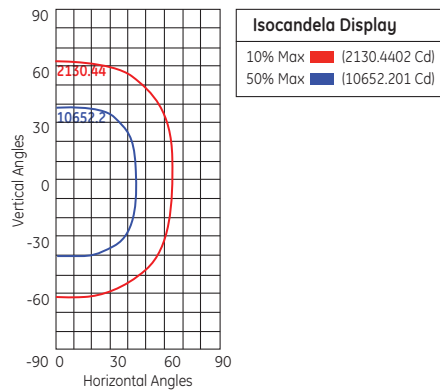
37,400 Lumens, 4000K (EFH101_EE66740__.ies)



Grid Distance in Units of Mounting Height at 35° and 45° Tilt Initial Footcandle Values at Grade

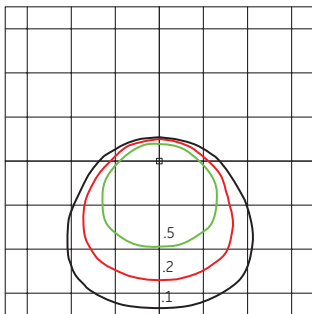


— Vertical Axel Candela Distribution
— Horizontal Axel Candela Distribution

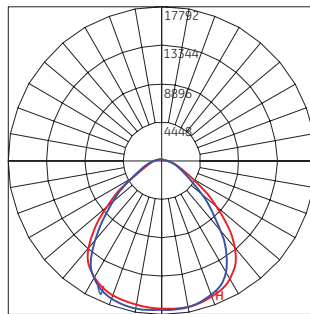


65-EE

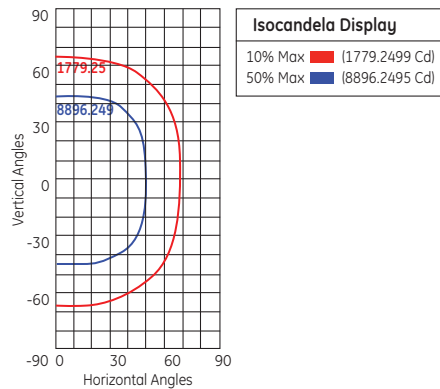
35,500 Lumens, 4000K (EFH101_EE65740__.ies)



Grid Distance in Units of Mounting Height at 35° and 45° Tilt Initial Footcandle Values at Grade



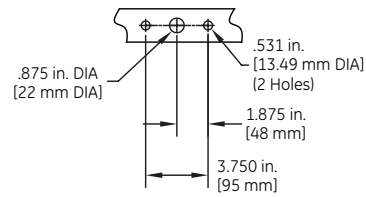
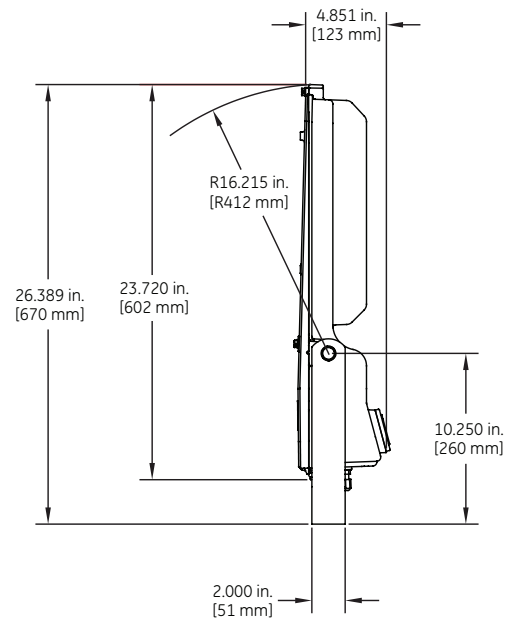
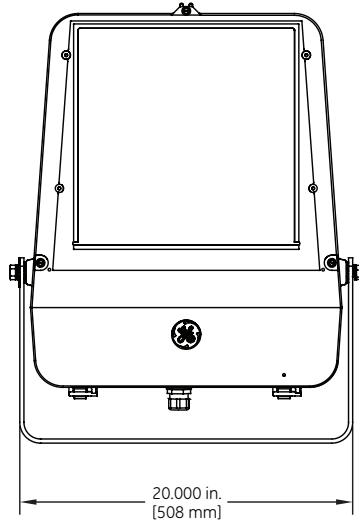
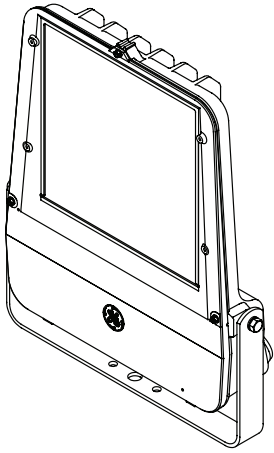
— Vertical Axel Candela Distribution
— Horizontal Axel Candela Distribution



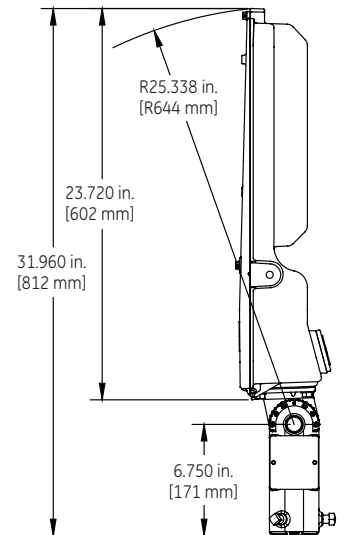
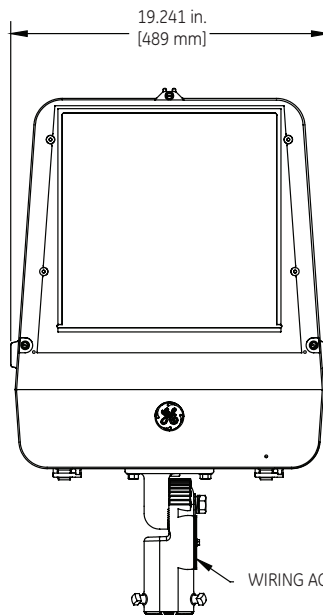
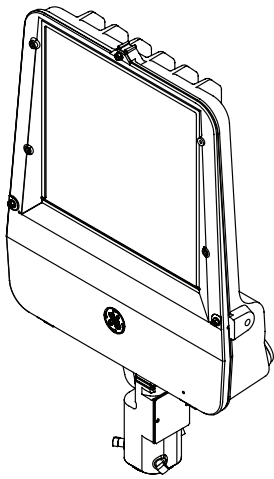
Product Dimensions

Evolve™ LED High Output Flood Light (EFH1)

Trunnion Mounting



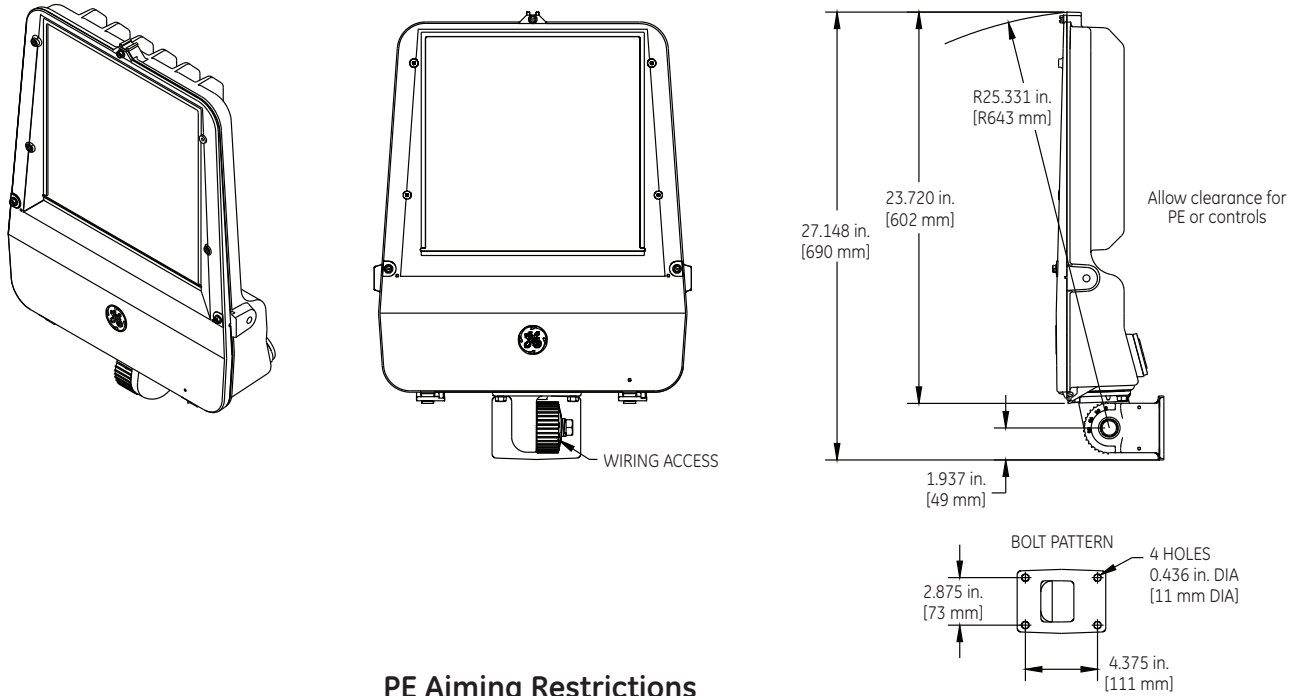
Slipfitter Mounting



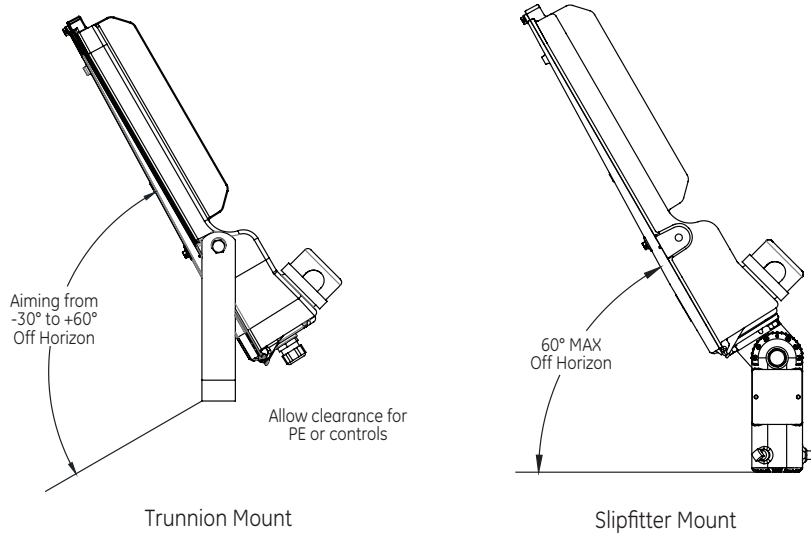
Product Dimensions

Evolve™ LED High Output Flood Light (EFH1)

Wall Mounting



PE Aiming Restrictions

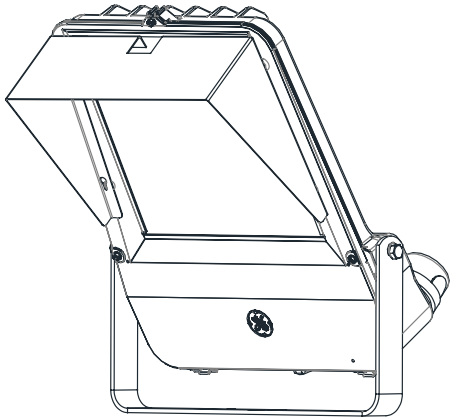


DATA

- Approximate net weight: 35 lbs (15.9 kgs)
- Effective Projected Area:
 - Vertical 3.51 sq ft (0.33 sq M) (aimed at horizon)
 - Tilted 1.79 sqft (0.17 sq M) (aimed down 45 degrees)

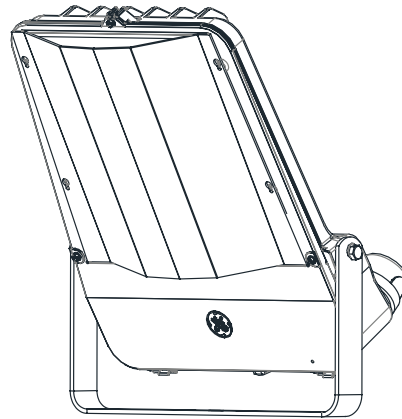
Accessories

Evolve™ LED High Output Flood Light (EFH1)



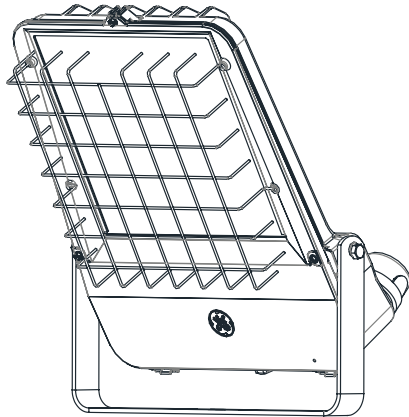
Top And Side Visor

Ordering Logic: TSVGGRAY-EFH
TSVBLCK-EFH
TSVDKBZ-EFH
TSVWHITE-EFH



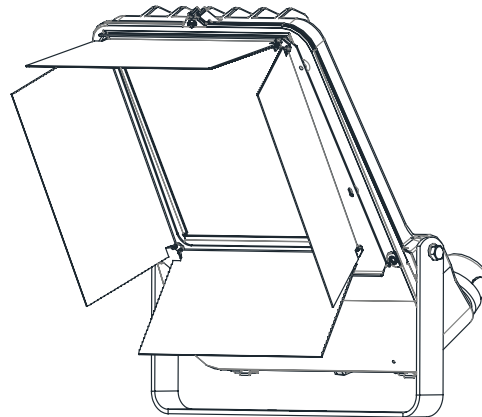
Vandal Shield

Ordering Logic: VAN-EFH



Wire Guard

Ordering Logic: WG-EFH



Barn Doors

Ordering Logic: BDAGRAY-EFH
BDABLCK-EFH
BDADKBZ-EFH
BDAWHITE-EFH



www.currentbyge.com

All trademarks are the property of their respective owners. Information provided is subject to change without notice. All values are design or typical values when measured under laboratory conditions. Current, powered by GE is a business of the General Electric Company.
© 2017 GE.

OLP3107 (Rev 02/20/17)