


| | | | |
|-----------------------------|-------|------|---|
| FLL LED DECORATIVE FLOOD | Cat.# | |  HUBBELL Outdoor Lighting |
| | Job | Type | |

SPECIFICATIONS

Intended Use:

Large LED flood with wide beam NEMA 6 x 6 distribution for lighting applications such as safety/security, facade, area, or signs; operating temperature of -35°C to 40°C

Construction:

- Rugged die-cast aluminum housing with dark bronze finish
- Tempered glass lens protects LEDs and allows for cleaning/debris removal
- Vented housing isolates LED module from driver, maximizing product life and performance
- Visor, louver and vandal accessories available

LED:

- 28 high powered LEDs deliver 8054 lumens
- 5000K CCT, 67 CRI

Optical/Electrical

- Wide flood NEMA 6 x 6 distribution for general purpose flood and facade lighting
- 120-277V operation, 50/60Hz, 100w, 1050mA, 80.5 LPW

Installation:

- Heavy duty steel yoke with adjustable stainless steel hardware, mounting holes for one center - 3/4" bolt or two side - 3/8" bolts
- 3' SE00W cord included
- Visor, louver and vandal shield accessories available

Listings:

- IP65 fixture, driver RoHS compliant and IP66
- Listed to UL1598 for use in wet locations
- EPA = 1.0ft²

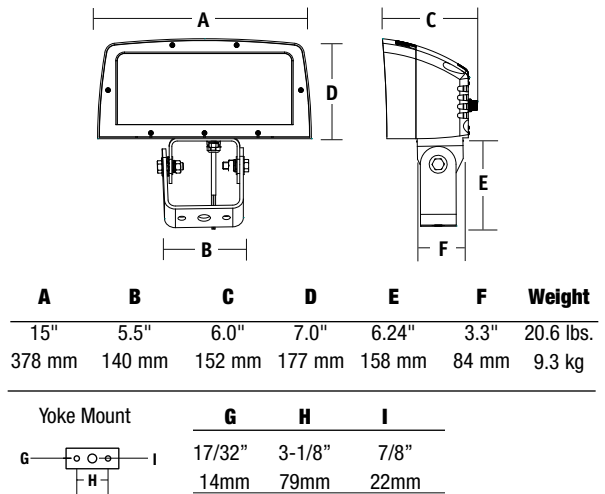
Warranty:

For more information visit:
<http://www.hubbelloutdoor.com/resources/warranty/>

PRODUCT IMAGE(S)



DIMENSIONS



CERTIFICATIONS/LISTINGS



SHIPPING INFORMATION

| Catalog Number | G.W.(kg)/CTN | Carton Dimensions | | |
|-------------------------------|--------------|-------------------|-----------------|------------------|
| | | Length Inch (cm) | Width Inch (cm) | Height Inch (cm) |
| FLL-28L (Single carton 1 pc.) | 25 (12.3) | 17.72" | 13.0" | 9.45" |

Carton dimensions for shipping purposes only

ORDERING INFORMATION

| Catalog Number | Mount | Max Candle Power | Beam Pattern | Wattage | Drive Current | Voltage | Color Temperature | Lumens | LPW | Weight lbs. (kg) |
|----------------|-------|------------------|--------------|---------|---------------|----------|-------------------|--------|------|------------------|
| FLL-28L | Yoke | 5508 | Wide | 100w | 1050mA | 120-277V | 5000K | 8054 | 80.5 | 20.6 (9.3) |

ACCESSORIES & REPLACEMENT PARTS - Order Separately

| Catalog Number | Description |
|----------------|---|
| FLL-VISOR-DB | Top visor (Tap holes in lens frame for field installation) |
| 93058186 | 96w, 120-277V Dimming driver, 1050mA (1 Qty) |
| FLL-LOUVER-BL | Black adjustable louver |
| ARF-SPC | Polycarbonate vandal shield |
| 4024C | Steel slipfitter for 2" pipe, 2 3/8" OD yoke mount, bronze finish |
| 4040 | Heavy-duty steel wall/pole bracket; bronze Lektrocote® |



FLL-LOUVER-BL



ARF-SPC



FLL-VISOR-XX

PERFORMANCE DATA

| # OF LEDS | DRIVE CURRENT (MILLIAMPS) | SYSTEM WATTS | DISTRIBUTION TYPE | 5K (5000K nominal, 67 CRI) | | | | |
|-----------|---------------------------|--------------|-------------------|-------------------------------|---------------------|--------|------|----------------------|
| | | | | NEMA | FIELD ANGLE H° X V° | LUMENS | LPW | MAX BEAM CANDLEPOWER |
| 28 | 1050mA | 100W | W | 6 x 6 | 107° x 107° | 8054 | 80.5 | 5508 |

Lumen values are from photometric tests performed in accordance with IESNA LM-79-08. Data is considered to be representative of the configurations shown. Actual performance may differ as a result of end-user environment, application and inherent performance tolerances of the electrical components.

LUMINAIRE AMBIENT TEMPERATURE FACTOR (LATF)

| AMBIENT TEMPERATURE | | LUMEN MULTIPLIER |
|---------------------|-------|------------------|
| 0°C | 32°F | 1.02 |
| 10°C | 50°F | 1.01 |
| 20°C | 68°F | 1.00 |
| 25°C | 77°F | 1.00 |
| 30°C | 86°F | 1.00 |
| 40°C | 104°F | 0.99 |

Use these factors to determine relative lumen output for average ambient temperatures from 0-40°C (32-104°F).

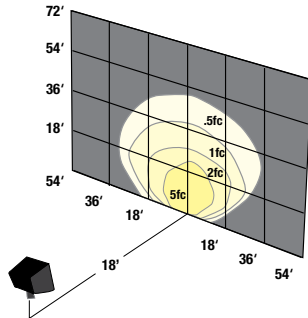
PROJECTED LUMEN MAINTENANCE

| AMBIENT TEMP. | OPERATING HOURS | | | | | Calculated L70 (HOURS) |
|---------------|-----------------|--------|--------|------------------------------|---------|------------------------|
| | 0 | 25,000 | 50,000 | 1 ^{TM-21-11} 60,000 | 100,000 | |
| 25°C / 77°F | 1.00 | 0.94 | 0.91 | 0.88 | 0.79 | >149,000 |
| 40°C / 104°F | 1.00 | 0.92 | 0.90 | 0.87 | 0.76 | >132,000 |

ELECTRICAL DATA

| # OF LEDS | NUMBER OF DRIVERS | DRIVE CURRENT (mA) | INPUT VOLTAGE (V) | CURRENT (Amps) | SYSTEM POWER (W) |
|-----------|-------------------|--------------------|-------------------|----------------|------------------|
| 28 | 1 | 1050mA | 120 | 0.82 | 100 |
| | | | 277 | 0.36 | 100 |

PHOTOMETRICS For additional photometric information and IES downloads, visit our web site at www.hubbelloutdoor.com



HUBBELL
Outdoor Lighting

Hubbell Outdoor Lighting • 701 Millennium Boulevard • Greenville, SC 29607 • Phone: 864-678-1000

Due to our continued efforts to improve our products, product specifications are subject to change without notice.

© 2015 HUBBELL OUTDOOR LIGHTING, All Rights Reserved • For more information visit our website: www.hubbelloutdoor.com • Printed in USA

FLL-SPEC 10/15