

FLED FLOODLIGHTS



HUBBELL
Outdoor Lighting



HUBBELL
Lighting



Hubbell Outdoor Lighting's sleek and stylish FL series floodlights provide energy-efficient floodlighting solutions with a wide IES distribution. These powerful floodlights are available in four sizes making them a versatile choice for floodlighting applications: safety/security, facade, area or signs. All floods meet DesignLights Consortium (DLC) qualifications.

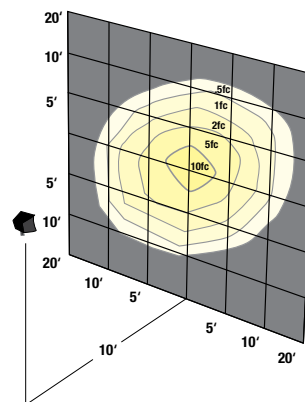
FSL-7



FSL-7

- Ultra-compact size measuring only 4.5" x 7.5" x 4.0"
- IP66 and wet location listed
- Vented housing isolates LED module from driver maximizing product life and performance
- Wide flood NEMA 6 x 6 distribution for general purpose flood and facade lighting
- Traditional 1/2" x 14 NPS threaded adjustable knuckle mounting
- Rugged die-cast aluminum housing with dark bronze finish
- High impact UV stabilized acrylic outer lens protects LEDs and allows for cleaning and debris removal
- 120-277V, 50/60Hz operation (PC version 120V only)
- Visor and vandal shield available

PERFORMANCE



IP66



Catalog Number / UPC (version with PC1 suffix includes 120V photocontrol)	Equivalency			Delivered Lumens	System Watts	Lumens Per Watt	Max Candle Power	Beam Pattern	CCT	Voltage	Drive Current
	MH	HPS	CFL								
FSL-7 / 785988030675	100w	100w	42w	2,040	26.5	77	1,450	Wide	5000K	120-277V	1050mA
FSL-7-PC1 / 785988030736											

In stock for fast delivery

14 high performance lensed LEDs optimize wide throw

UV stabilized acrylic outer lens and silicone gasketing provide IP65 protection as well as easy cleaning and maintenance.



5° aiming angle increments for precise aiming and control

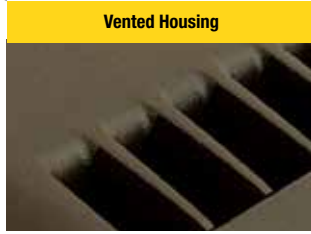
1/2" 14 NPS threaded mount

Rugged die-cast housing features isolation of LED driver from light engine and heat dissipating vents for maximum LED life and performance



Photocontrol option available for energy-saving dusk-to-dawn operation (120V only)

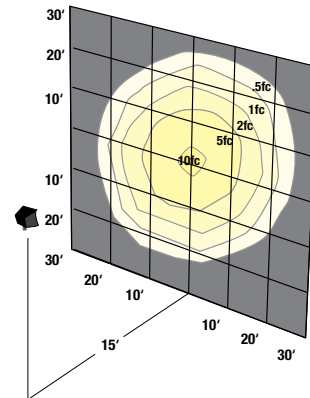
FML-14



FML-14

- Compact size measuring only 6.7" x 9.6" x 4.5"
- IP65 and wet location listed
- Vented housing isolates LED module from driver maximizing product life and performance
- Wide flood NEMA 6 x 6 distribution for general purpose flood and facade lighting
- Traditional 1/2" x 14 NPS threaded adjustable knuckle mounting
- Rugged die-cast aluminum housing with dark bronze finish
- High impact UV stabilized acrylic outer lens protects LEDs and allows for cleaning and debris removal
- 120-277V, 50/60Hz, operation (PC version 120V only)
- Visor and vandal shield available

PERFORMANCE



IP65



Catalog Number / UPC (version with PC1 suffix includes 120V photocontrol)	Equivalency			Delivered Lumens	System Watts	Lumens Per Watt	Max Candle Power	Beam Pattern	CCT	Voltage	Drive Current
	MH	HPS	CFL								
FML-14 / 785988030682	150w	150w	2x42w	4,285	53	81	2,805	Wide	5000K	120-277V	1050mA
FML-14-PCU / 785988030743											

In stock for fast delivery



28 high performance lensed LEDs optimize wide throw

Tempered glass outer lens protects LEDs

Corrosion resistant powder paint finish

Flat surface allows for easy cleaning and debris removal

Heavy duty steel yoke with adjustable stainless steel hardware, mounting holes for one - 3/4" bolt or two - 3/8" bolts; 3' SE00W cord included



PROFILE

FLL-28

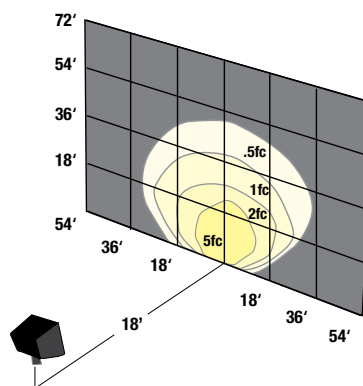
Vented Housing



FLL-28

- 28 high powered LEDs deliver 8054 lumens
- 5000K CCT, 67 CRI
- Rugged die-cast aluminum housing with dark bronze finish
- Tempered glass lens protects LEDs and allows for easy cleaning/debris removal
- Visor, louver and vandal accessories available
- Vented housing isolates LED module from driver, maximizing product life and performance
- 120-277V operation, 50/60Hz, 100w, 1050mA, 80.5 LPW
- DesignLights Consortium (DLC) qualified
- IP65, listed to UL1598 for use in wet locations

PERFORMANCE



IP65

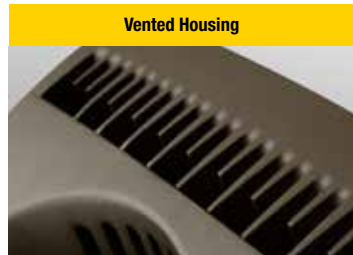


Catalog Number / UPC (version with PC1 suffix includes 120V photocontrol)	Equivalency			Delivered Lumens	System Watts	Lumens Per Watt	Max Candle Power	Beam Pattern	CCT	Voltage	Drive Current
	MH	HPS	CFL								
FLL-28L	250w	250w	2x42s+	8,054	100	80.5	5,508	Wide	5000K	120-277V	1050mA

In stock for fast delivery



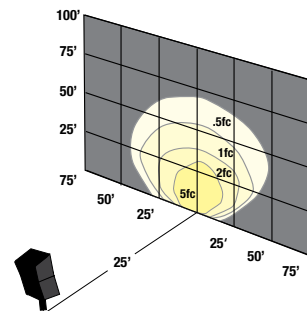
FXL-56



FXL-56

- 56 high powered LEDs deliver 16358 lumens
- 5000K CCT, 67 CRI
- Rugged die-cast aluminum housing with dark bronze finish
- Tempered glass lens protects LEDs and allows for cleaning/debris removal
- Visor, louver and vandal accessories available
- Vented housing isolates LED module from driver, maximizing product life and performance
- 120-277V operation, 50/60Hz, 200w, 1050mA, 82 LPW
- IP65, listed to UL1598 for use in wet locations
- DesignLights Consortium (DLC) qualified
- Traditional adjustable yoke mounting
- 3' SEOOW cord

PERFORMANCE



IP65



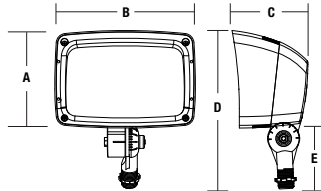
Catalog Number / UPC (version with PC1 suffix includes 120V photocontrol)	Equivalency			Delivered Lumens	System Watts	Lumens Per Watt	Max Candle Power	Beam Pattern	CCT	Voltage	Drive Current
	MH	HPS	CFL								
FXL-56L	400w	400w	2x42w+	16,358	199	82	10,872	Wide	5000K	120-277V	1050mA

In stock for fast delivery

FSL-7

Catalog Number	Mount	Max Candle Power	Beam Pattern	Wattage	Drive Current	Voltage	Color Temperature	Lumens	LPW	Weight lbs. (kg)
FSL-7	1/2" thread	1,450	Wide	26.5	1050mA	120-277V	5000K	2040	77	6 (2.7)
FSL-7-PC1	1/2" thread	1,450	Wide	26.5	1050mA	120V	5000K	2040	77	6 (2.7)

DIMENSIONS



A	B	C	D	E	Weight
5.125"	7.5"	4.0"	8.625"	3.5"	6 lbs.
130 mm	190 mm	102 mm	219 mm	89 mm	2.7 kg



FSL-SPC



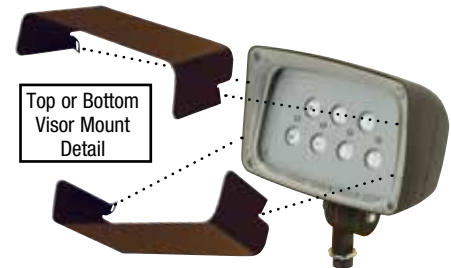
FSL-VISOR – 3/4 View



Front View



TRN-DB



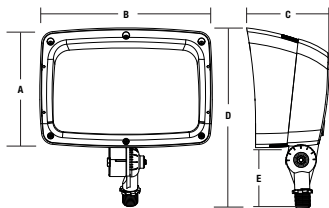
ACCESSORIES/REPLACEMENT PARTS - Order Separately

Catalog Number	Description
FSL-SPC	Polycarbonate lens (Replaces existing acrylic fixture lens)
FSL-VISOR-DB	Top/Bottom visor (Tap holes in lens frame for field installation)
93047942AC	Acrylic lens w/ gasket
93047957	25w, Driver, 1040mA
20750110264	Knuckle mount Dark Bronze finish
TRN-DB	Trunnion adaptor for 1/2" threaded knuckle mount

FML-14

Catalog Number	Mount	Max Candle Power	Beam Pattern	Wattage	Drive Current	Voltage	Color Temperature	Lumens	LPW	Weight lbs. (kg)
FML-14	1/2" thread	2,805	Wide	53	1050mA	120-277V	5000K	4285	81	8.5 (3.8)
FML-14-PCU	1/2" thread	2,805	Wide	53	1050mA	120V	5000K	4285	81	8.5 (3.8)

DIMENSIONS



A	B	C	D	E	Weight
6.7"	9.6"	4.5"	10.20"	3.5"	8.5 lbs.
169 mm	244 mm	115 mm	259 mm	89 mm	3.8 kg



FML-SPC



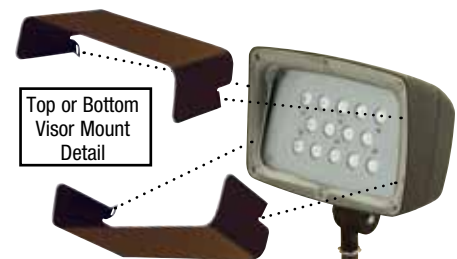
FML-VISOR – 3/4 View



Front View



TRN-DB



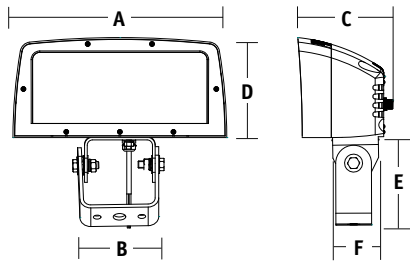
ACCESSORIES/REPLACEMENT PARTS - Order Separately

Catalog Number	Description
FML-SPC	Polycarbonate lens (Replaces existing acrylic outer frame)
FML-VISOR-DB	Top/Bottom visor (Tap holes in lens frame for field installation)
93047961AC	Acrylic lens w/ gasket
93047971	50w, Driver 1050mA
20750110264	Knuckle mount Dark Bronze finish
TRN-DB	Trunnion adaptor for 1/2" threaded knuckle mount

FLL-28

Catalog Number	Mount	Max Candle Power	Beam Pattern	Wattage	Drive Current	Voltage	Color Temperature	Lumens	LPW	Weight lbs. (kg)
FLL-28L	Yoke	5,508	Wide	100w	1050mA	120-277V	5000K	8,054	80.5	20.6 (9.3)

DIMENSIONS



A	B	C	D	E	F	Weight
15"	5.5"	6.0"	7.0"	6.24"	3.3"	20.6 lbs.
378 mm	140 mm	152 mm	177 mm	158 mm	84 mm	9.3 kg

ACCESSORIES - Order Separately

Catalog Number	Description
FLL-VISOR-DB	Top visor (Tap holes in lens frame for field installation)
93058186	96w, 120-277V Dimming driver, 1050mA (1 Qty)
FLL-LOUVER-BL	Black adjustable louver
ARF-SPC	Polycarbonate vandal shield
4024C	Steel slipfitter for 2" pipe, 2 3/8" OD yoke mount, bronze finish
4040	Heavy-duty steel wall/pole bracket; bronze Lektrocote®



FLL-LOUVER-BL

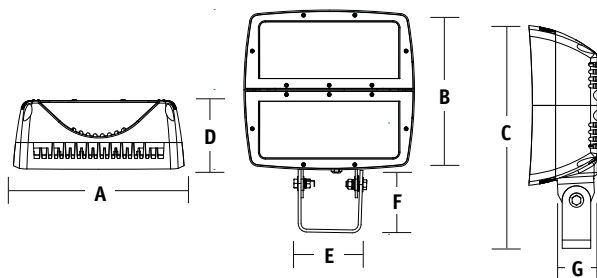


ARF-SPC

FXL-56

Catalog Number	Mount	Max Candle Power	Beam Pattern	Wattage	Drive Current	Voltage	Color Temperature	Lumens	LPW	Weight lbs. (kg)
FXL-56L	Yoke	10,872	Wide	199w	1050mA	120-277V	5000K	16,358	82	36.2 (16.4)

DIMENSIONS



A	B	C	D	E	F	G	Weight
15"	14.0"	19.6"	6.0"	5.5"	6.24"	3.3"	36.2 lbs.
380 mm	356 mm	498 mm	152 mm	139 mm	158 mm	84 mm	16.4 kg

ACCESSORIES - Order Separately

Catalog Number	Description
FLL-VISOR-DB	Top/Bottom visor (Tap holes in lens frame for field installation)
93058186	96w, 120-277V Dimming driver, 1050mA (2 Qty per fixture)
FLL-LOUVER-BL	Black adjustable louver (order 2 per fixture)
ARF-SPC	Polycarbonate vandal shield (order 2 per fixture)
4024C	Steel slipfitter for 2" pipe, 2 3/8" OD yoke mount, bronze finish
4040	Heavy-duty steel wall/pole bracket; bronze Lektrocote®



FLL-LOUVER-BL



ARF-SPC



HUBBELL
Lighting

United States
Hubbell Lighting, Inc.
701 Millennium Boulevard
Greenville, SC 29607
www.hubbellighting.com

Canada
Hubbell Canada
870 Brock Road
Pickering, Ontario L1W 1Z8
www.hubbell-canada.com

Mexico
Hubbell De Mexico, S.A. DE CV
Av. Insurgentes Sur # 1228, 8th Floor
Col. Tlacoquemecatl del Valle • 03200 Mexico, D.F.
www.hubbell.com.mx

ALERA LIGHTING

ARCHITECTURAL AREA LIGHTING

BEACON PRODUCTS

COLUMBIA LIGHTING

COMPASS PRODUCTS

DEVINE LIGHTING

DUAL-LITE

HUBBELL BUILDING AUTOMATION

HUBBELL INDUSTRIAL LIGHTING

HUBBELL OUTDOOR LIGHTING

KIM LIGHTING

KURT VERSEN

LITECONTROL

PRESCOLITE

SPAULDING LIGHTING

SPORTSLITER SOLUTIONS

STERNER LIGHTING SYSTEMS

WHITEWAY



HUBBELL
Outdoor Lighting

Due to our continued efforts to improve our products, product specifications are subject to change without notice.

REV A 11.15 HOL0085

