

SLING TradeSELECT

AREA/SITE/ROAD LIGHTER

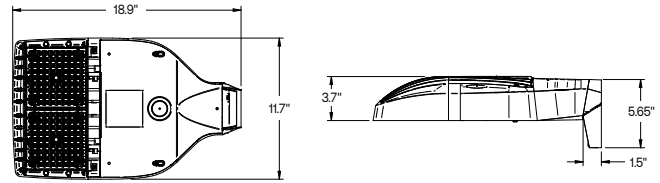
tradeSELECT®

FEATURES

- Compact sleek design with multiple lumen output configurations and simple installation
- The SLING includes a square arm mounting block for ease of pole installation or mast arm accessory for 2-3/8 ft OD roadway brackets
- Micro Strike optical distributions of Type 3 or 4W
- 1.5G rated for high vibration applications including bridges and overpasses



SLING (ASL1)



ASL1

SERVICE PROGRAMS

STOCK

	Weight lbs. (kg)	EPA
ASL1	14.47 (6.56)	.46ft ² (0.043m ²)

SPECIFICATIONS

CONSTRUCTION

- Die-cast housing with hidden vertical heat fins that are optimal for heat dissipation while keeping a clean smooth outer surface
- Corrosion resistant, die-cast aluminum housing with powder coat paint finish
- Separate optical and electrical compartment for improved thermal management and optimum component operation
- TGIC thermoset polyester powder paint finish applied at nominal 2.5 mil thickness

OPTICS

- Entire optical aperture illuminates to create a larger luminous surface area resulting in a low glare appearance without sacrificing optical performance
- Premium engineered individual acrylic lenses deliver IES Type 3 and 4W distributions
- Lens distributions are field rotatable (in 90° increments) or exchangeable for job site fine-tuning
- 4000K (70 CRI) CCT
- 160 midpower LEDs
- Zero uplight at 0 degrees of tilt

INSTALLATION

- Arm mounting block with S2 drill patterns
- Fixture ships with slotted mounting block to accommodate wide range of drill patterns for easy retrofit opportunities
- Mast arm fitter accessory or option available for 2-3/8" OD brackets with vertical tilt of +3°, 0° or -3°

ELECTRICAL

- Universal 120-277 VAC input voltage, 50/60 Hz
- Ambient operating temperature -40° C to 40° C
- Drivers have greater than 90% power factor and less than 20% THD
- LED drivers have output power over-voltage, over-current protection and short circuit protection with auto recovery
- Built in driver surge protection of 6kV.

CONTROLS

- 0-10 Volt Dimmable Driver Standard controls

CERTIFICATIONS

- Listed to UL1598 and CSA C22.2#2500-24 for wet locations and 40°C ambient temperatures
- 1.5G rated for ANSI C136.31 high vibration applications
- IP65 optical assembly
- DLC® (DesignLights Consortium Qualified), with some Premium Qualified configurations. Not all product variations on this page are DLC Qualified. Refer to <http://www.designlights.org/> for the most up-to-date list.

WARRANTY

- 5 Year warranty

SLING TradeSelect

AREA/SITE/ROAD LIGHTER

STOCK ORDERING INFORMATION

Catalog Number	Lumens	Wattage	LED Count	CCT/CRI	Voltage	Distribution	Mounting	Finish
ASL1-100-4W-A	12000	100	160L	4000K/70CRI	120-277V	4W	Square Arm	Dark Bronze Matte Textured
ASL1-100-3-A	12000	100	160L	4000K/70CRI	120-277V	3	Square Arm	Dark Bronze Matte Textured
ASL1-135-4W-A	18000	135	160L	4000K/70CRI	120-277V	4W	Square Arm	Dark Bronze Matte Textured
ASL1-135-3-A	18000	135	160L	4000K/70CRI	120-277V	3	Square Arm	Dark Bronze Matte Textured

STOCK POLE COMBO*

Catalog Number	Pole	Single or Double	Fixture	Distribution
ASL1-100-4K7-3-S20	20' Square Straight Steel	Single Head	ASL-160L-100-4K7	3
ASL1-100-4K7-4W-S20	20' Square Straight Steel	Single Head	ASL-160L-100-4K7	4W
ASL1-100-4K7-3-S20-2X	20' Square Straight Steel	Double Head (180°)	ASL-160L-100-4K7	3
ASL1-100-4K7-4W-S20-2X	20' Square Straight Steel	Double Head (180°)	ASL-160L-100-4K7	4W
ASL1-100-4K7-3-S25	25' Square Straight Steel	Single Head	ASL-160L-100-4K7	3
ASL1-100-4K7-4W-S25	25' Square Straight Steel	Single Head	ASL-160L-100-4K7	4W
ASL1-100-4K7-3-S25-2X	25' Square Straight Steel	Double Head (180°)	ASL-160L-100-4K7	3
ASL1-100-4K7-4W-S25-2X	25' Square Straight Steel	Double Head (180°)	ASL-160L-100-4K7	4W
ASL1-135-4K7-3-S20	20' Square Straight Steel	Single Head	ASL-160L-135-4K7	3
ASL1-135-4K7-4W-S20	20' Square Straight Steel	Single Head	ASL-160L-135-4K7	4W
ASL1-135-4K7-3-S20-2X	20' Square Straight Steel	Double Head (180°)	ASL-160L-135-4K7	3
ASL1-135-4K7-4W-S20-2X	20' Square Straight Steel	Double Head (180°)	ASL-160L-135-4K7	4W
ASL1-135-4K7-3-S25	25' Square Straight Steel	Single Head	ASL-160L-135-4K7	3
ASL1-135-4K7-4W-S25	25' Square Straight Steel	Single Head	ASL-160L-135-4K7	4W
ASL1-135-4K7-3-S25-2X	25' Square Straight Steel	Double Head (180°)	ASL-160L-135-4K7	3
ASL1-135-4K7-4W-S25-2X	25' Square Straight Steel	Double Head (180°)	ASL-160L-135-4K7	4W

* Stock poles are DBT (Dark Bronze Textured) 4 inch shaft, .188 Wall Thickness with an S2 Drill Pattern

ACCESSORIES (ORDERED SEPARATELY)

Catalog Number	Description
<input type="checkbox"/> ASL1-HSS-90-B-XXX ¹	House Side Shield Back 90 deg, 5.26" tall
<input type="checkbox"/> ASL1-HSS-90-F-XXX ¹	House Side Shield Front 90 deg, 5.26" tall
<input type="checkbox"/> ASL1-HSS-90-S-XXX ¹	House Side Shield Side 90 deg, 5.26" tall
<input type="checkbox"/> ASL1-HSS-270-BSS-XXX ¹	House Side Shield Back, Side & Side 270 deg, 5.26" tall
<input type="checkbox"/> ASL1-HSS-270-FSS-XXX ¹	House Side Shield Front, Side & Side 270 deg, 5.26" tall
<input type="checkbox"/> ASL1-HSS-270-FSB-XXX ¹	House Side Shield Front, Side & Back 270 deg, 5.26" tall
<input type="checkbox"/> ASL1-HSS-360-XXX ¹	House Side Shield 360 deg, 5.26" tall
<input type="checkbox"/> ASL-MAF	Mast arm kit with wildlife shield for mounting on 2 3/8" OD arms
<input type="checkbox"/> SETA2-XX ¹	Square pole tenon adapter (4 at 90 degrees) (2 3/8" OD tenon)
<input type="checkbox"/> RETA2-XX ¹	Round pole tenon adapter (4 at 90 degrees) (2 3/8" OD tenon), requires CL1S-RPA4-ACC-XX for each luminaire
<input type="checkbox"/> RARBC160L	Backlight Control 160L
<input type="checkbox"/> CL1S-RPA4-ACC-XX ¹	Round Pole Adapter (* denotes pole diameter; 3 = 3 1/4" - 3 3/4"; 4* = 3 7/8" - 6")
<input type="checkbox"/> ASL-ARMMTG-XX ¹	Arm mounting kit for side of pole attachment
<input type="checkbox"/> WB-AREA-XX ¹	Wall bracket, Compatible with standard arm mount option

¹ Replace XX or XXX with color choice, eg: DB for Dark Bronze or BLT for Black Matte Textured

SLING TradeSelect

AREA/SITE/ROAD LIGHTER

PERFORMANCE DATA

Description	Nominal Wattage	System Watts	Dist. Type	4K (4000K NOMINAL 70 CRI)				
				Lumens	LPW ¹	B	U	G
ASL1	100	88.0	2	11886	135	2	0	2
			3	12010	136	2	0	2
			4F	12819	146	2	0	2
			4W	11787	134	2	0	3
			5QW	12070	137	4	0	2
	135	133.3	2	17999	135	3	0	3
			3	17776	133	2	0	2
			4F	17300	130	3	0	3
			4W	17569	132	2	0	3
			5QW	18064	136	4	0	2

¹ VAC input Lumen values are from photometric test performed in accordance with IESNA LM-79-08. Data is considered to be representative of the configurations. Actual performance may differ as a result of end-user environment and application.

ELECTRICAL DATA

Family	Nominal Wattage	Input Voltage (Volts)	Current (AMPS)	System Power (Watts)
SLING (ASL1)	100	120	0.73	88
		208	0.42	
		240	0.37	
		277	0.32	
	135	120	1.11	133.3
		208	0.64	
		240	0.56	
		277	0.48	

PROJECTED LUMEN MAINTENANCE

Ambient Temperature	OPERATING HOURS					
	0	25,000	TM-21-11 ¹ L96 60,000	50,000	100,000	L70 (Hours)
25°C / 77°F	1.00	0.97	0.96	0.95	0.91	408,000
40°C / 104°F	0.99	0.96	0.95	0.94	0.89	356,000

¹ Projected per IESNA TM-21-11 (* 2100mA, 105°C Ts, 6,000hrs)

LUMINAIRE AMBIENT TEMPERATURE FACTOR (LATF)

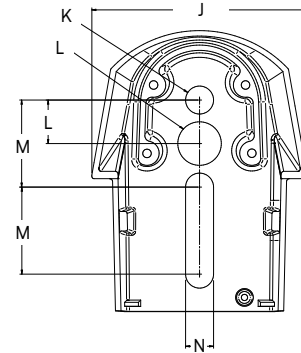
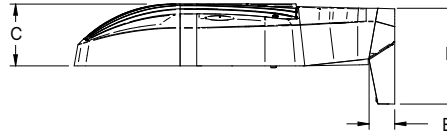
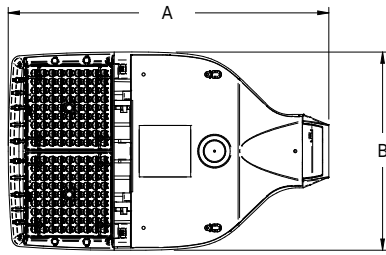
Ambient Temperature	Lumen Multiplier
0° C	1.06
10° C	1.03
20° C	1.01
25° C	1.00
30° C	0.99
40° C	0.97

Use these factors to determine relative lumen output for average ambient temperatures from 0-40°C (32-104°F).

SLING TradeSelect

AREA/SITE/ROAD LIGHTER

DIMENSIONS



ASL1					ASL1 EPA@0°	ASL1 w/ HSS
A	B	C	D	E		
18.9"	11.7"	3.7"	5.65"	1.5"	.46 ft. ²	.73 ft. ²
480mm	297mm	94mm	144mm	38mm	.04 m ²	.07 m ²

Weight

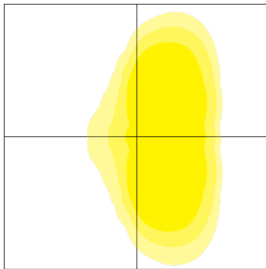
ASL1	14.47 lbs (6.56 kgs)
------	----------------------

J	K	L	M	N
4.33"	.562"	.875"	1.75"	.562"
480mm	297mm	94mm	610mm	297mm

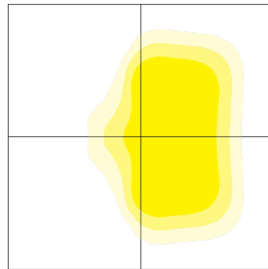
PHOTOMETRY

The following diagrams represent the general distribution options offered for this product.

Type III



Type IV

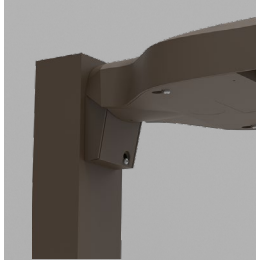


SLING TradeSelect

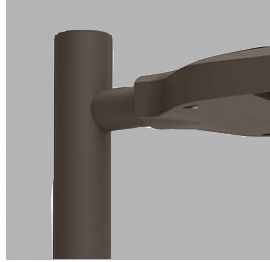
AREA/SITE/ROAD LIGHTER

ADDITIONAL INFORMATION

MOUNTING



Arm Mount – Fixture ships with integral arm for ease of installation. Compatible with S2 drill pattern.

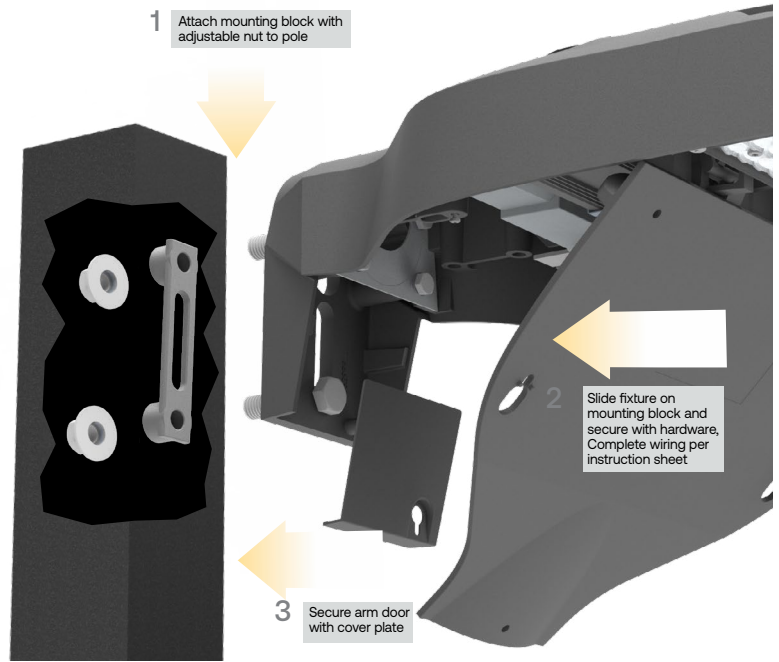


MAF – Fits 2-3/8" OD arms Roadway applications.

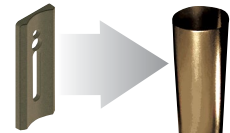


Wall Mount – Wall mount bracket designed for building mount applications. Wall mount bracket (7" W X 9.63" L)

Square Arm Mount – Arm mount block for ease of installation with S2 drill patterns.



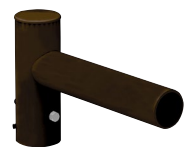
ACCESSORY



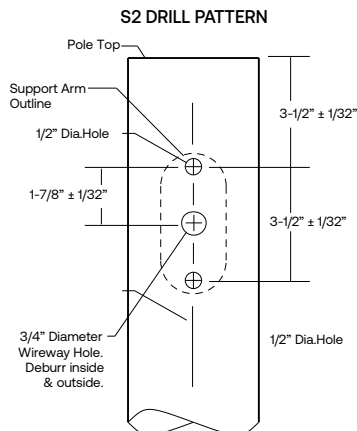
ROUND POLE ADAPTER



WB-AREA-XX



SPOKE BRACKET (single arm shown)
Horizontal round arm tenon adapters for use with MAF mounting type or accessory kit. Reference SBH Spoke Pole Top Brackets for ordering information.



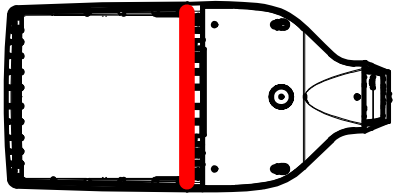
SLING TradeSelect

AREA/SITE/ROAD LIGHTER

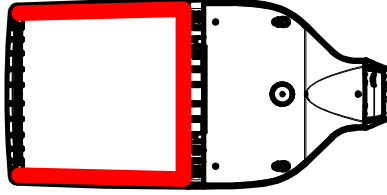
ADDITIONAL INFORMATION (CONT'D)

CONFIGURATIONS

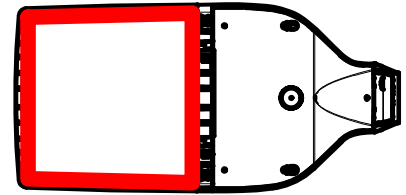
ASLx HSS-90-B-xx



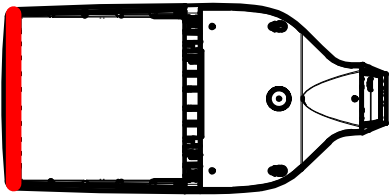
ASLx HSS-270-BSS-xx



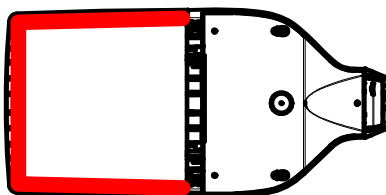
ASLx HSS-360-xx



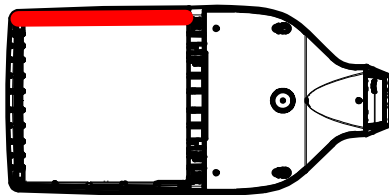
ASLx HSS-90-F-xx



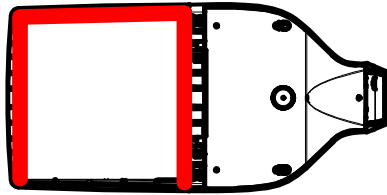
ASLx HSS-270-FSS-xx



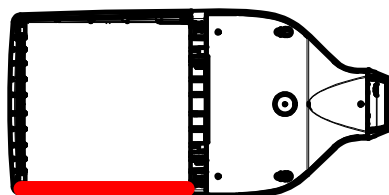
ASLx HSS-90-S-xx



ASLx HSS-270-FSB-xx



ASLx HSS-90-S-xx



ASLx HSS-270-FSB-xx

